

For use with
Saber DC Drives.

TENSION AMP MODIFICATION KIT

KIT P/N 46S02343-0010

PCB 46S02344-0010 SCHEMATIC 45S02343-0010

DESCRIPTION

INSTALLATION

WARNING

This modification kit consists of components necessary to allow a controller using the Type "K" Tension Indicator PCB (46S02150-0010)* to operate properly in conjunction with new style Kidder transducers. With this modification, the input from the transducers is amplified before being applied to the tension indicator, resulting in drive operation identical to that with older style transducers.

REMOVE ALL INPUT POWER TO THE DRIVE BEFORE INSTALLING MODIFICATION KIT.

* See Figure 4 for modification of pre-Type "K" circuits.

See Figure 2. In order for this modification to be installed, three standoff mounting holes must be drilled in the Tension Indicator PCB. Partial views of copper in the proximity of holes are shown to prevent possible damage to copper in the drilling process. Holes may be shifted away from copper slightly, if necessary.

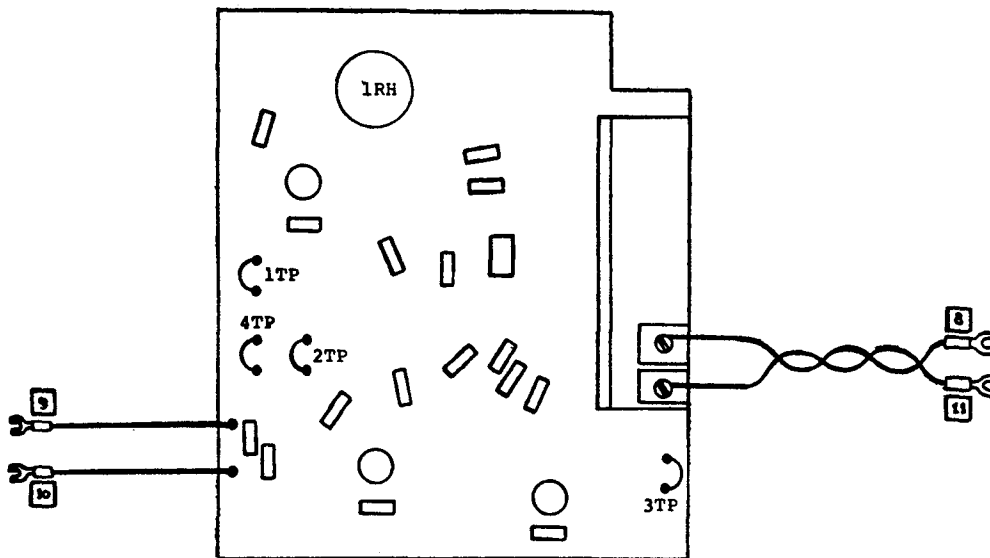


Figure 1.

CHANGE RECORD				DWG. NO. 02Y00025-0055
1	STD-2666	2-3-82		SHEET 1 OF 5
1	STD-1152	1-16-81		EFF. 10/20/80 (K)

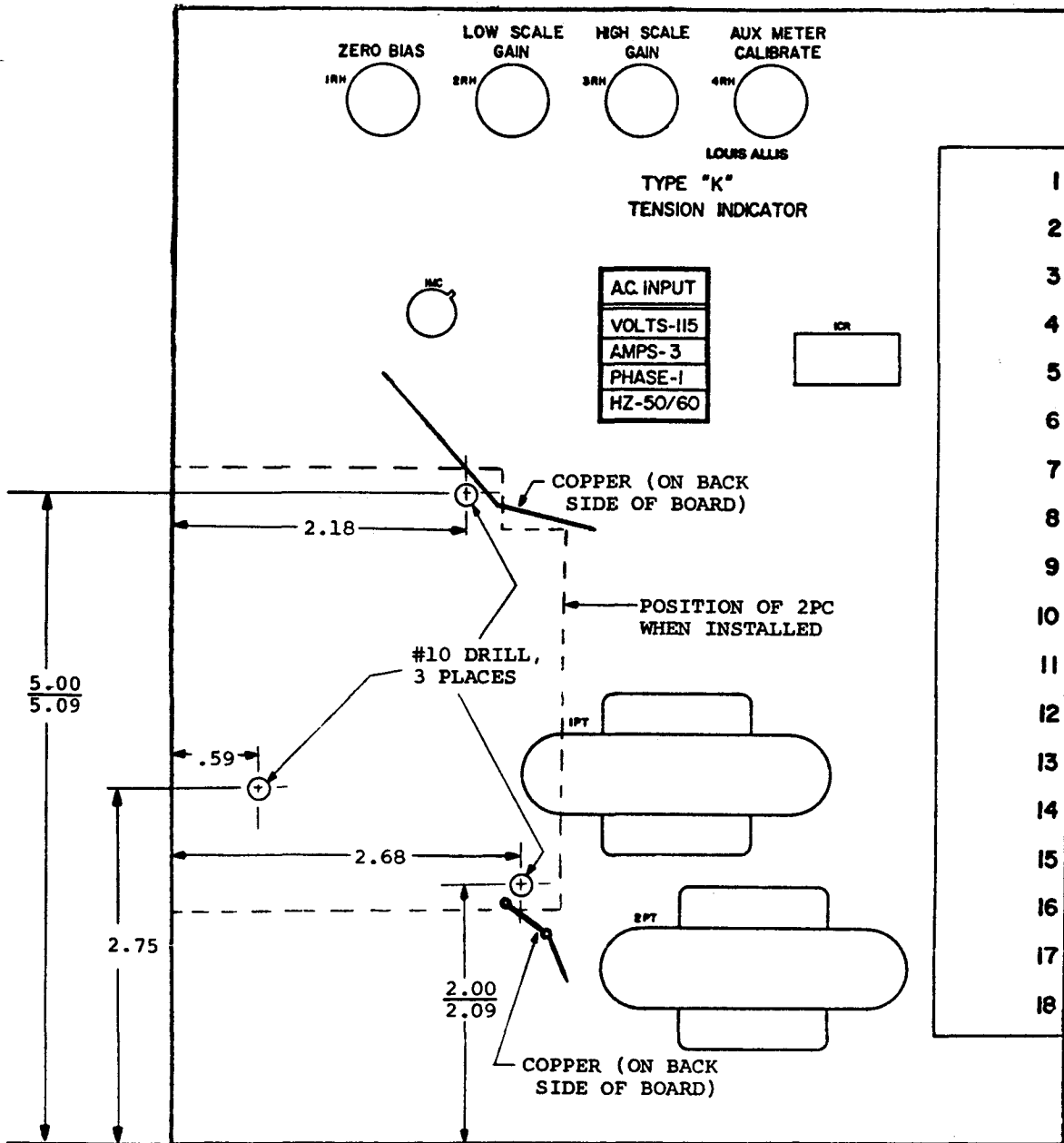


Figure 2. Drilling Layout - Holes for Standoffs

DWG. NO. 02Y00025-0055
SHEET 2 OF 5
EFF. 10/20/80 (K)

After the holes have been drilled, press the three standoffs from the modification kit into the holes. They will snap into place. Then gently press the modification PCB onto the standoffs, until it snaps into position.

INTERCONNECTION

Make the wire connections according to Figure 3 and Table 1.

ADJUSTMENTS

Adjustment procedures for the tension indicator remain unchanged with this modification. (See instruction sheet 1.2150.)

NOTE

The BALANCE pot (2RH) on the modification PCB has been factory set and SHOULD NOT be readjusted.

DWG. NO. 02Y00025-0055
SHEET 3 OF 5
EFF. 10/20/80 (K)

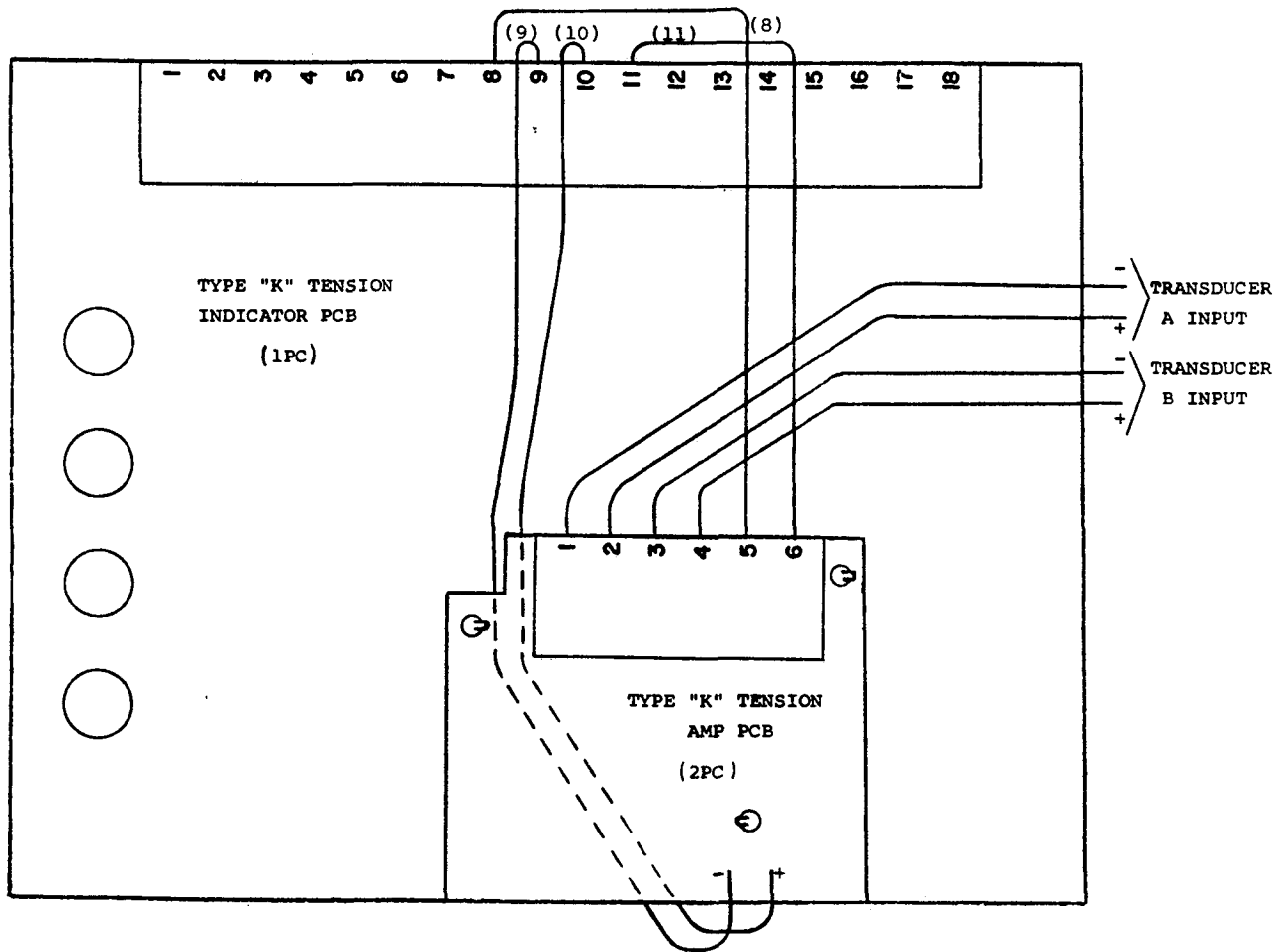


Figure 3. Wiring Diagram

Table 1. Wiring Table

Wire No.	From		To	
	Equipment	Terminal	Equipment	Terminal
8	2PC	5	1PC	8
9	2PC	(-)*	1PC	9
10	2PC	(+)*	1PC	10
11	2PC	6	1PC	11
	Transducer A	(-)	2PC	1
		(+)		2
	Transducer B	(-)	2PC	3
		(+)		4

* Factory installed lead.

DWG. NO. 02Y00025-0055
 SHEET 4 OF 5
 EFF. 10/20/80 (K)

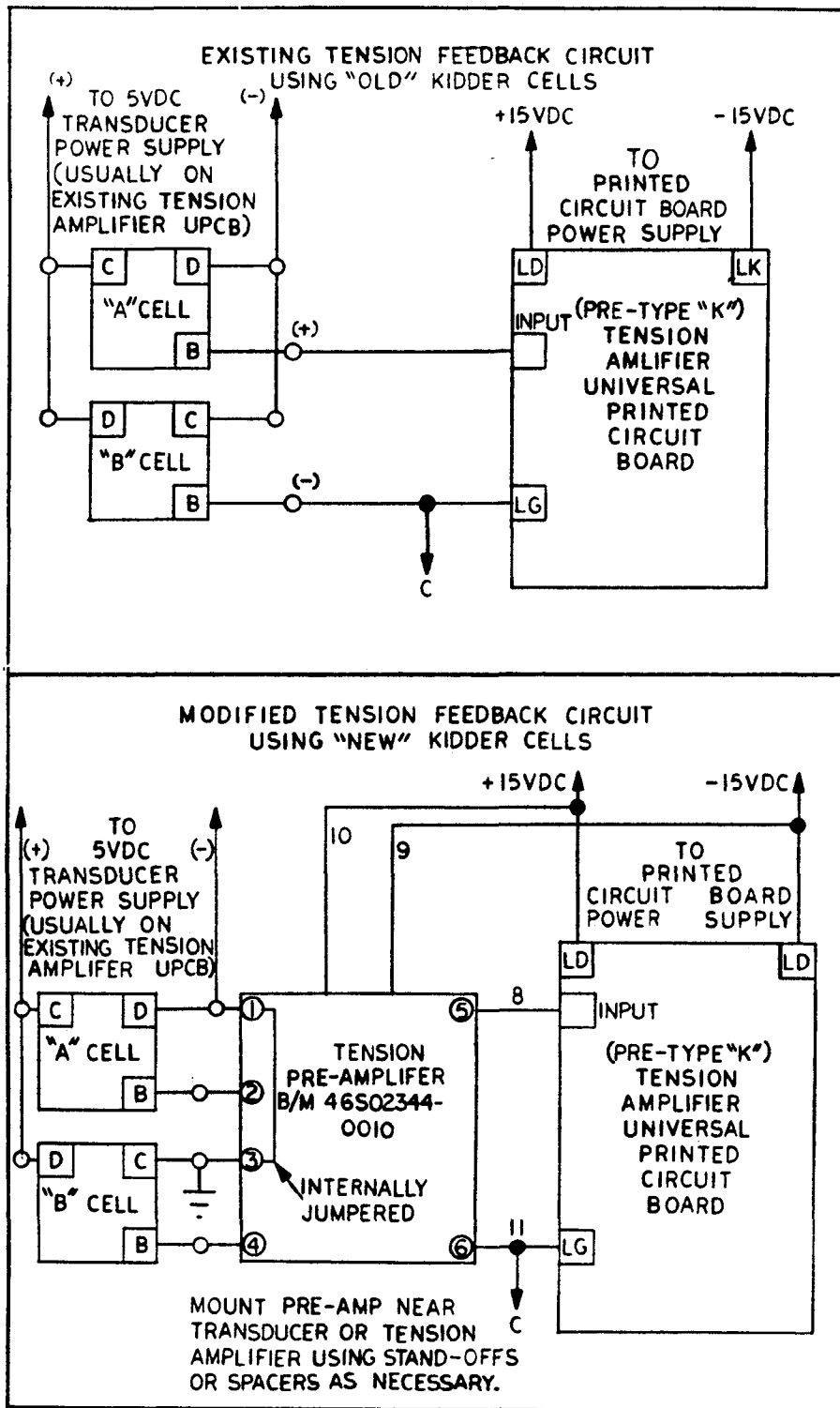


Figure 4. Pre-Type "K" Tension Amplifier Modification
For Use With Temperature Compensated Cells

DWG. NO. 02Y00025-0055
SHEET 5 OF 5
EFF. 10/20/80 (K)

