

OUTPUT INTERFACE (DO-4) OPTION

MODEL DS827

Before installing this kit, a **TECHNICALLY QUALIFIED INDIVIDUAL**, who is familiar with this type of equipment and hazards involved, should **READ** this **ENTIRE INSTRUCTION SHEET**.

IMPORTANT

This option will function properly only with a unit which has the following EPROMs in place (between 8CN and 9CN) on the Main Control PCB.

U10: 100102L, 100201L, or 100200L
U11: 100102H, 100201H, or 100200H

If replacement EPROMs are required, contact your MagneTek Drives & Systems sales representative.

IMPORTANT

This kit may have been installed by the factory. However, certain steps can only be completed at the installation site. Therefore, review and then perform those steps which complete the installation process.

INTRODUCTION

When installed, this option provides four (4) open collector outputs which can be defined by programming. Refer to Technical Manual description of system constants Sn-13 thru Sn-16.

CAUTION

This option contains Electrostatic Sensitive Devices. Personnel should be grounded before removing contents from the carton and installing this into the equipment.

CHANGE RECORD				DWG. NO. 02Y00025-0281
1	STD-3672	REV 6-30-89		SHEET 1 OF 4
2	STD-3754	REV 8-30-89		EFF. 2/3/89 (0)

Table 1. Specifications

Function	Level			Unit
	Min.	Nom.	Max.	
4 Outputs (Sn-13 to Sn-16)			48	VDC
			50	mA

INSTALLATION

1. Disconnect all electrical power to drive.
2. Remove drive front cover.
3. Verify voltage has been disconnected by using a voltmeter to check for voltage at incoming power terminals.

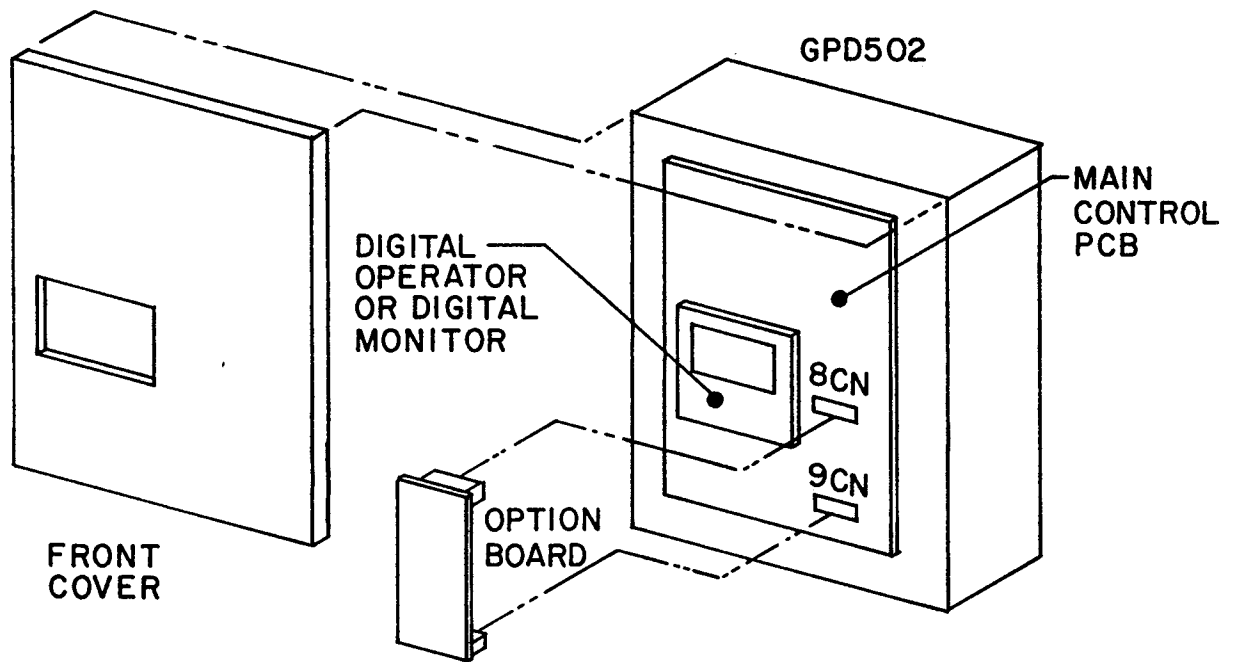
WARNING

HAZARDOUS VOLTAGE CAN CAUSE SEVERE INJURY OR DEATH.

LOCK ALL POWER SOURCES FEEDING DRIVE IN "OFF" POSITION.

4. See Figure 1. Install the option on the Main Control Board, 1PCB, and insure 8CN and 9CN are properly connected. Make sure Electrostatic procedure is followed.

DWG. NO. 02Y00025-0281
 SHEET 2 OF 4
 EFF. 2/3/89 (0)



REF.2Y25.GPD502.OPTION

Figure 1. Installation of Output Interface In GPD 502

5. Wiring. See Figure 2. Connect signal wires to terminals 1 thru 4 (+) and 5 (-). Route wires from Inverter and connect to the input of the peripheral device.

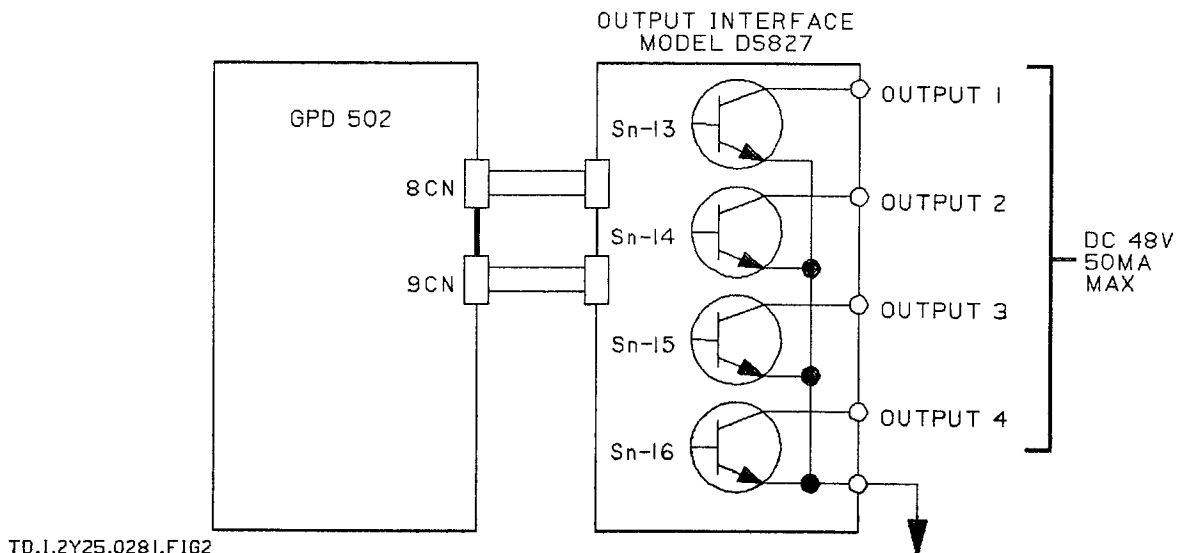


Figure 2. Interconnection Diagram For Output Interface

DWG. NO. 02Y00025-0281
 SHEET 3 OF 4
 EFF. 2/3/89 (0)

6. Adjustments. There are no adjustments to be made on the Output Interface; however, the Lancer GPD 502 will have to be reprogrammed for the application. Refer to Technical Manual description of system constants Sn-13 thru Sn-16.

7. Reinstall and secure drive front cover.

8. Place this instruction sheet with the inverter Technical Manual.

This completes installation of this option.

DWG. NO. 02Y00025-0281
SHEET 4 OF 4
EFF. 2/3/89 (0)