

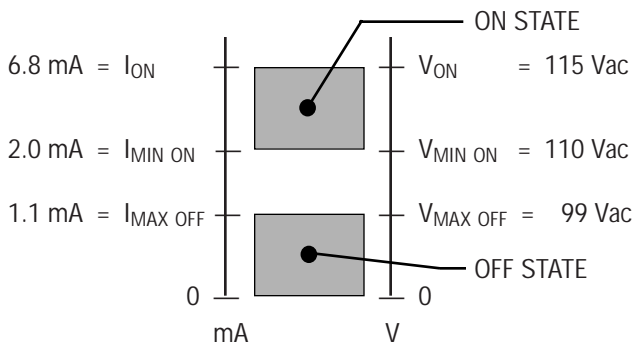
# 115 VAC Logic Interface

Part No. 46S03153-0010

## DESCRIPTION

The 115 VAC Logic Interface is an option for the GPD 333 drive. It allows the drive's multi-function inputs (Run, Stop and Multi-step Speed) to be controlled by 115 Vac input signals. It mounts directly to the drive's control terminal strip.

## OPERATIONAL SPECIFICATIONS



## INSTALLATION

### CAUTION

**Option contains electrostatic sensitive devices. Personnel should be grounded before removing carton contents and installing into the equipment.**

1. Turn off all power to the drive.
2. Remove drive front cover. Verify that CHARGE indicator lamp inside drive is off.
3. Use a voltmeter to verify that power has been disconnected at incoming power terminals (L1, L2, L3).

## WARNING

**Hazardous voltage can cause severe injury or death. Lock all power sources feeding drive in "OFF" position.**

4. Loosen, but do not completely remove, the screws at drive terminals 1 thru 7. Slide the option board onto the drive terminal strip at these terminals. The wire hold down clips should be on top of the option board. Securely tighten the terminal screws.

### NOTE

The option board attaches to terminal 7 only for extra mounting support. THIS IS NOT A 115 VAC INPUT!

5. Connect external control signals to the option board's terminals in accordance with Figure 1 or Figure 2 of this instruction sheet.
6. Replace drive front cover.

THIS COMPLETES INSTALLATION OF THIS OPTION.

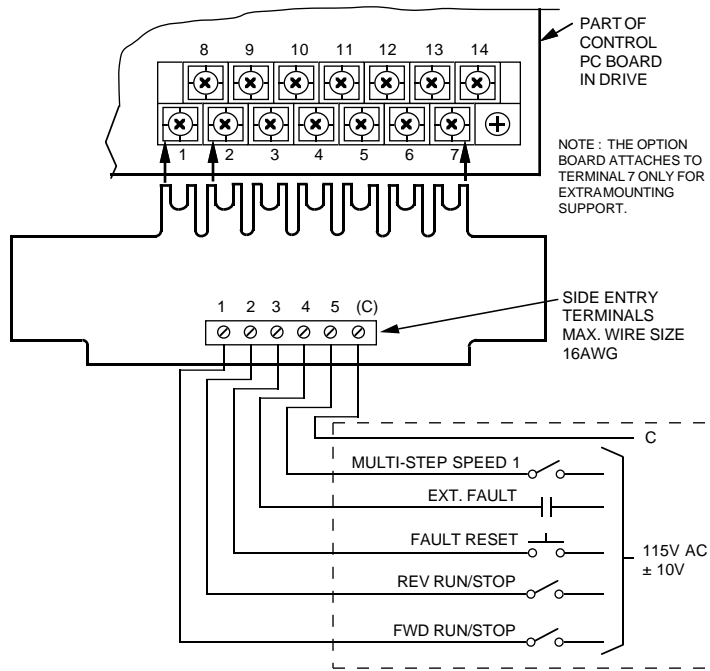
Applying a 115V ±10V AC signal to any of the option board terminals 1 thru 5 will cause the drive to operate. The type of operation depends on the programming of the multi-function inputs.

### NOTE

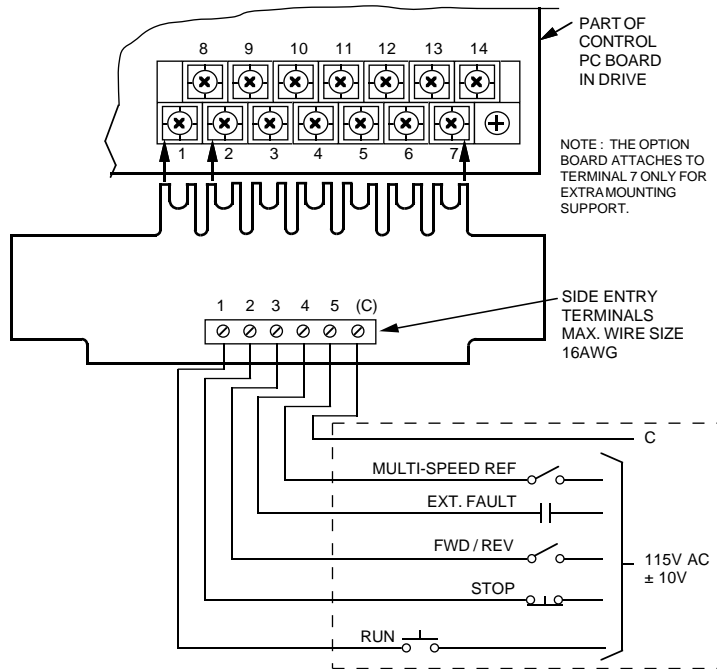
Figure 1 and Figure 2 show input signal functions associated for drive terminals 1 thru 5 as defined by 2-Wire initialization and 3-Wire initialization, respectively. If a different signal is desired at terminal 3, 4, or 5, refer to the GPD 333 technical manual description of constants *no-32*, *no-33*, and *no-34*.

CHANGE RECORD			

**DWG. NO. 02Y00025-0374**  
**SHEET NO. 1 OF 2**  
**EFF. 11/14/94** (m-df)



**Figure 1 Interconnection For 2-Wire Control**



**Figure 2 Interconnection For 3-Wire Control**

**WARNING:** THIS OPTION CARD IS NOT INTENDED TO BE CONTROLLED BY A TRIAC OUTPUT DEVICE OR OTHER ELECTRONIC DEVICES THAT HAVE A MINIMUM LOAD REQUIREMENT OR OFF STATE LEAKAGE CURRENT ASSOCIATED WITH THEM.