

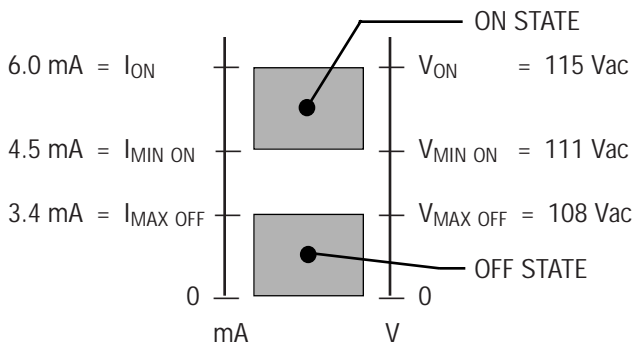
115 VAC Logic Interface

Part No. 46S03288-0010

DESCRIPTION

The 115 VAC Logic Interface is an option for the GPD 515 drive. It allows the drive's multi-function inputs (Run, Stop, Jog, etc.) to be controlled by 115 Vac input signals. It mounts directly to the drive's control terminal strip.

OPERATIONAL SPECIFICATIONS



INSTALLATION

CAUTION

Option contains electrostatic sensitive devices. Personnel should be grounded before removing carton contents and installing into the equipment.

1. Turn off all power to the drive.
2. Remove drive front cover. Verify that CHARGE indicator lamp inside drive is off.
3. Use a voltmeter to verify that power has been disconnected at incoming power terminals (L1, L2, L3).

WARNING

Hazardous voltage can cause severe injury or death. Lock all power sources feeding drive in "OFF position.

4. Loosen, but do not completely remove, the screws at drive terminals 1 thru 8, 21, 22 and 23. Slide the option board onto the drive terminal strip at these terminals. The wire hold down clips should be on top of the option board. Securely tighten the terminal screws. Attach the pigtail wire from the option board to terminal 11 on the drive.

5. Connect external control signal wiring, using:
Figure 1. 2-Wire control (requires a maintained contact for run, OR
Figure 2. 3-Wire control (requires a N.C. Stop push button and a N.O. Run push button.)

NOTE

The option board attaches to terminals 21, 22 and 23 only for extra mounting support. THESE ARE NOT 115 Vac INPUTS! Connection to these terminals should be made in accordance with TM 4515 para. 5.31. Always terminate connections between the wire hold down clip and the option board.

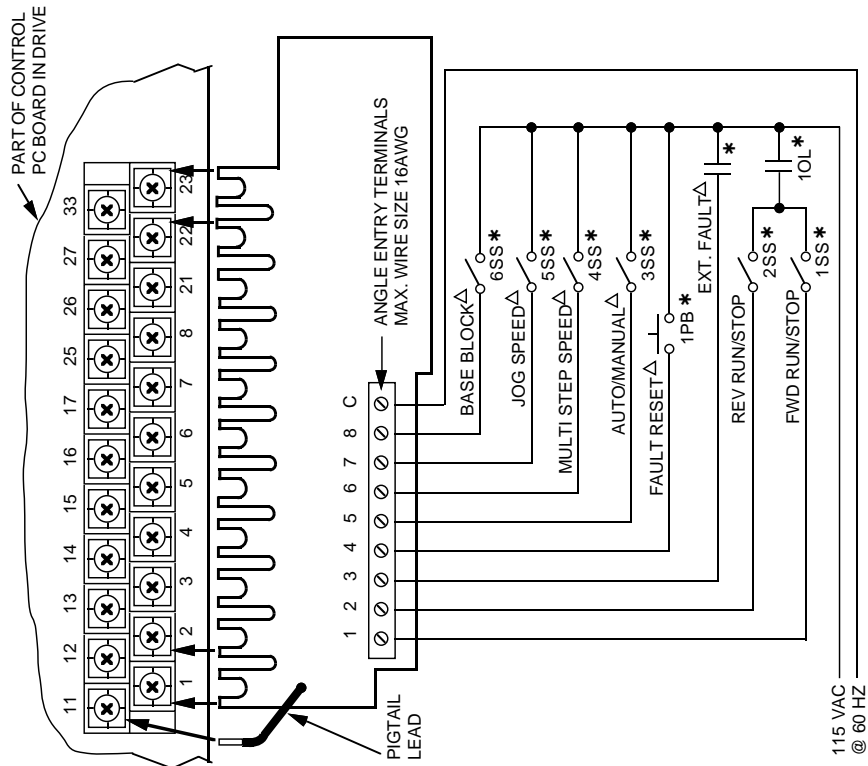
6. Replace drive front cover. Apply power to the drive. Applying the specified AC signal between terminal C and any of the option board terminals 1 thru 8 will now provide a low impedance path (short) between terminal 11 and the corresponding drive terminal (1 thru 8).

CAUTION

Although it may function with triac outputs, this option card is NOT intended to be controlled by a triac output device or other electronic devices that have a minimum load requirement or off state leakage current associated with them.

CHANGE RECORD				
1	STD-6824 10/21/96			
2	STD-7004 1/22/97			

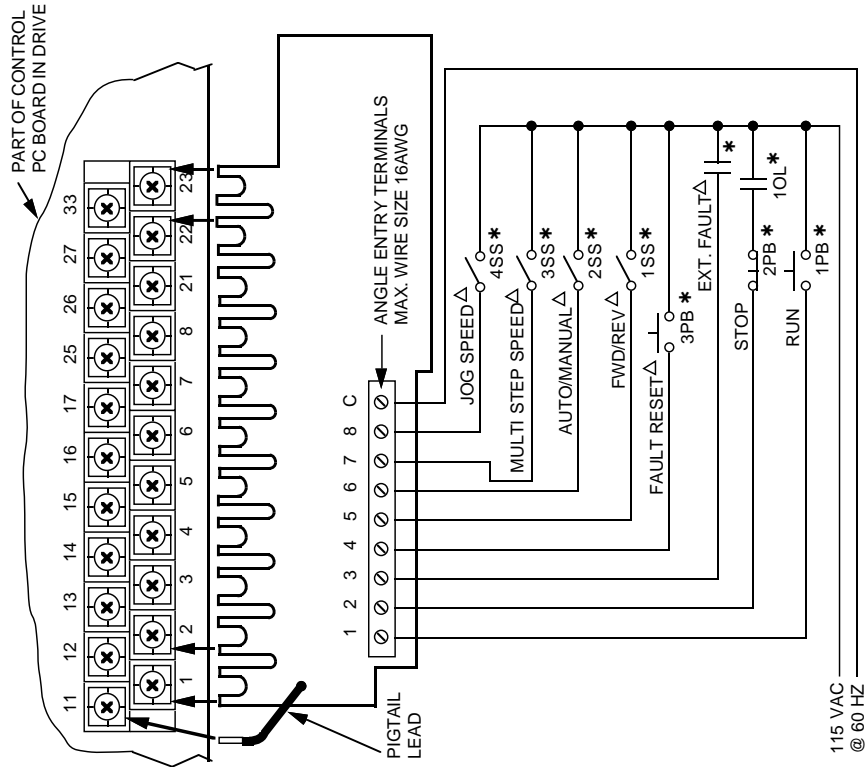
DWG. NO. 02Y00025-0406
SHEET NO. 1 OF 2
REL. 4/9/96 (m-df)



* INDICATES COMPONENTS NOT SUPPLIED.

△ FUNCTIONS SHOWN FOR TERMINALS 3 THRU 8 ARE THE DEFAULT FUNCTIONS FOR 2-WIRE CONTROL. PARAMETER PROGRAMMING FOR H1-01 THRU H1-06 ALLOWS ASSIGNMENT OF OTHER FUNCTIONS TO THESE TERMINALS.

Figure 1 Interconnection For 2-Wire Control



* INDICATES COMPONENTS NOT SUPPLIED.

△ FUNCTIONS SHOWN FOR TERMINALS 3 THRU 8 ARE THE DEFAULT FUNCTIONS FOR 3-WIRE CONTROL. PARAMETER PROGRAMMING FOR H1-01 THRU H1-06 ALLOWS ASSIGNMENT OF OTHER FUNCTIONS TO THESE TERMINALS.

Figure 2 Interconnection For 3-Wire Control

Refer to Sheet 1 for latest change.

DWG. NO. 02Y00025-0406
 SHEET NO. 2 OF 2
 REL. 4/9/96 (m-df)