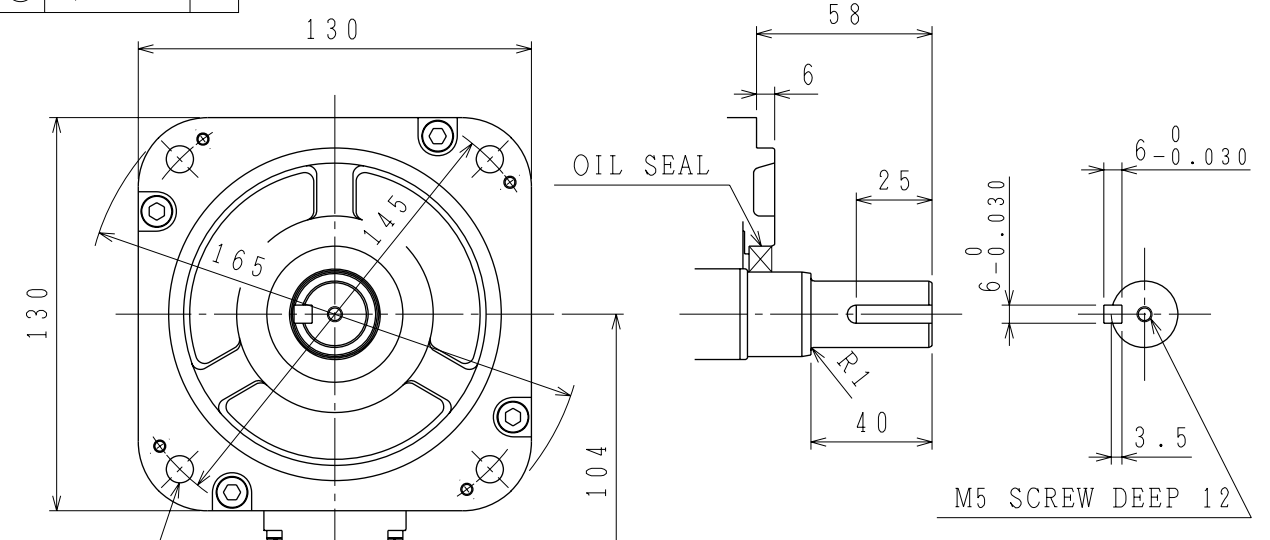
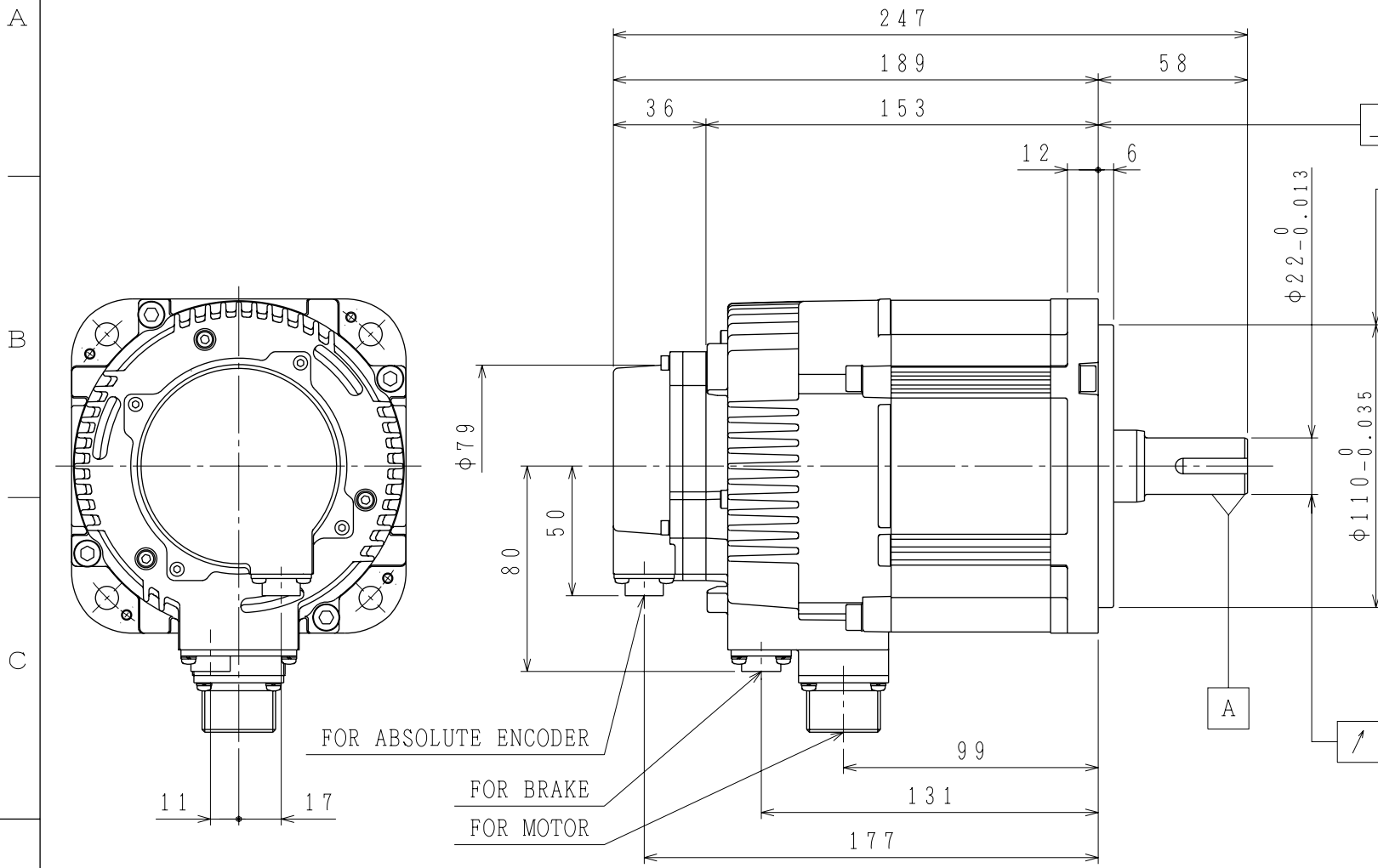


|              |  |
|--------------|--|
| Customer     |  |
| Estimate No. |  |
| Order No.    |  |
| Item No.     |  |
| Application  |  |



DETAIL OF SHAFT EXTENSION

Notes.

- All dimensions in mm.
- Absolute encoder is used as a detector, 20bit.
- Vibration : 15 $\mu$ m or below.
- Plugs and cable clamps are optional.
- Electrical specifications : 900-006-068
- Motors with oil seal should be operated under the following conditions.
  - Optimum oil level should be below oil seal lip.
  - Oil should be splashed to oil seal.
- In case of using this motor for conformable to the "CE" marking or protection degree is IP67, select the plugs and cable clamps by referring to drawing 900-014-203.
- In case of mounting this motor horizontal, to place the connector down is recommendable.

BRAKE TERMINAL CONNECTION

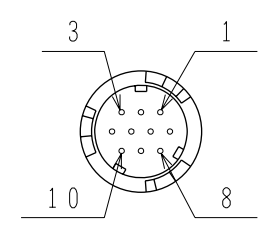


RECEPTACLE: CM10-R2P-D  
 OPTION:  
 PLUG: CM10-AP2S-\*-D

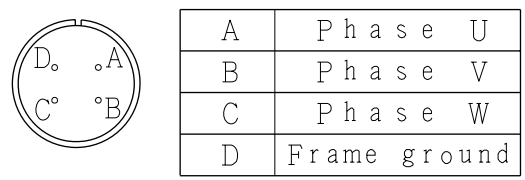
ENCODER TERMINAL CONNECTION

|    |              |
|----|--------------|
| 1  | DATA+        |
| 2  | DATA-        |
| 3  | —            |
| 4  | +5VDC        |
| 5  | BATT-        |
| 6  | BATT+        |
| 7  | —            |
| 8  | —            |
| 9  | 0V           |
| 10 | Frame ground |

RECEPTACLE: CM10-R10P-D  
 OPTION:  
 PLUG: CM10-AP10S-\*-D



MOTOR TERMINAL CONNECTION



RECEPTACLE: CE05-2A18-10PD-D  
 OPTION:  
 PLUG: MS3108B18-10S  
 CABLE CLAMP: MS3057-10A

| HOLDING BRAKE                                     |                               |              |               | ALLOWABLE LOAD                 |                            |
|---|-------------------------------|--------------|---------------|--------------------------------|----------------------------|
| INERTIA (GD <sup>2</sup> /4)<br>kg·m <sup>2</sup> | STATIC FRICTION TORQUE<br>N·m | VOLTAGE<br>V | CAPACITY<br>W | ALLOWABLE RADIAL LOAD<br>N     | ALLOWABLE THRUST LOAD<br>N |
| 2.1×10 <sup>-4</sup>                              | 19.6                          | DC24V        | 10            | 686<br>(AT END POINT OF SHAFT) | 343                        |

RATINGS

| TYPE          | OUTPUT<br>kW | TORQUE<br>N·m | TIME RATING | SPEED<br>min <sup>-1</sup> | CURRENT<br>A | MASS<br>kg |
|---------------|--------------|---------------|-------------|----------------------------|--------------|------------|
| SGMGV-13D3A6E | 1.3          | 8.34          | CONT.       | 1500                       | 5.4          | 9.0        |