

DWG.NO. 900-011-333

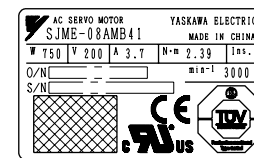
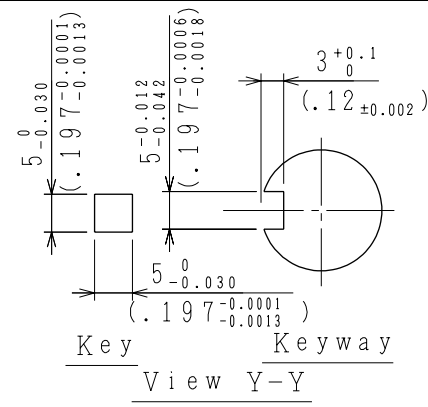
Encoder Terminal Connection Motor Terminal Connection

No.	Description	Color	No.	Description	Color
1	PG 5V	Red	1	Phase U	Red
2	PG 0V (GND)	Black	2	Phase V	White
3	Phase A+	Blue	3	Phase W	Blue
4	Phase A-	Blue/White	4	Frame Ground	Green/Yellow
5	Phase B+	Yellow	5	-	-
6	Phase B-	Yellow/White	6	-	-
7	Phase /Z	Purple			
8	Phase U	Gray			
9	Phase V	Green			
10	Phase W	Orange			
11	-	-			
12	Frame Ground	Shield Wire			

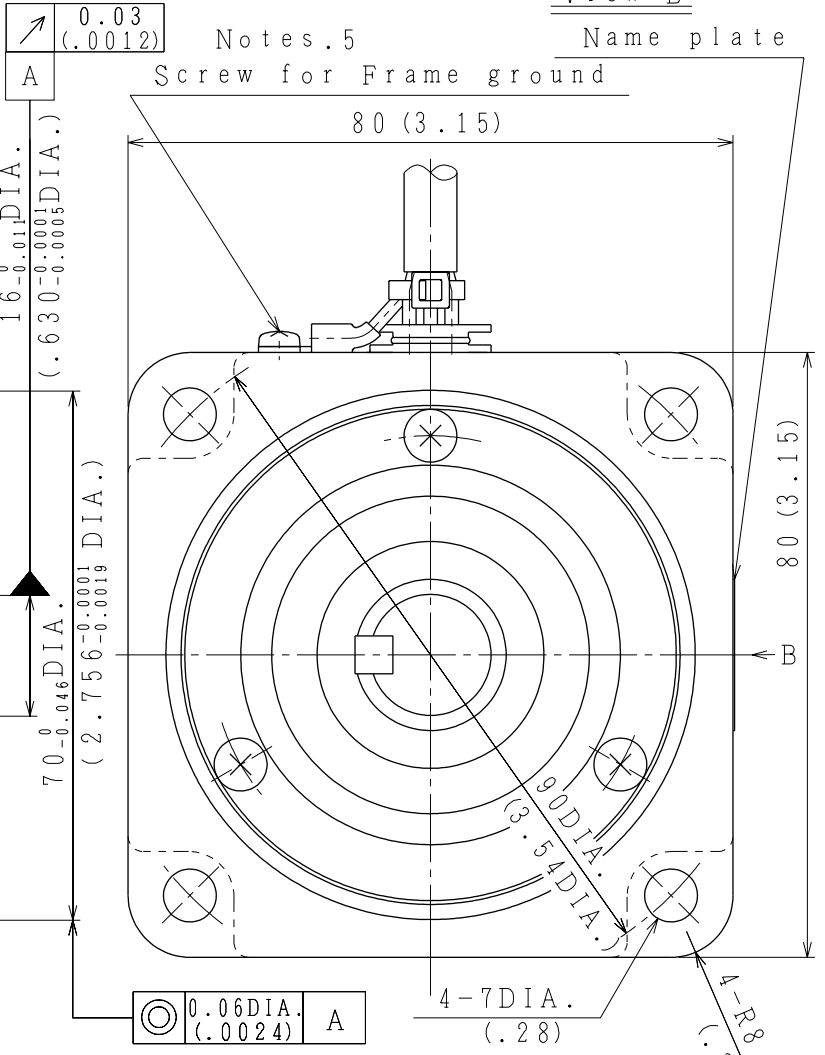
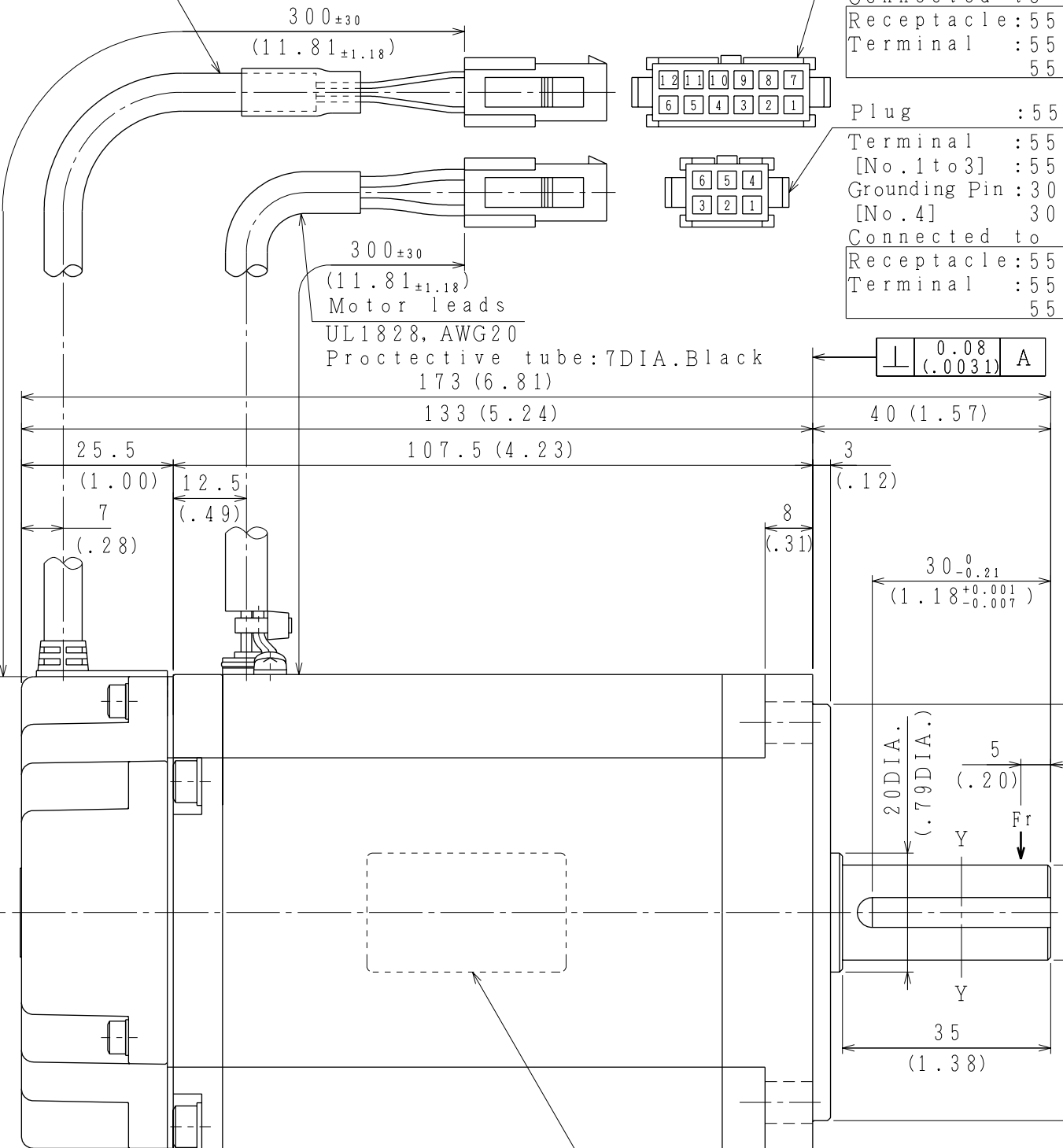
Encoder cable: 6DIA. Black  
UL20276, AWG22 (Red, Black)  
AWG26 (Except for Red, Black)

Plug : 5559-12P-210 (Molex)  
Terminal : 5558T2 (chained) or  
5558T2L (detached)  
Connected to  
Receptacle: 5557-12R-210  
Terminal : 5556T2 (chained) or  
5556T2L (detached)

Plug : 5559-06P-210 (Molex)  
Terminal : 5558T (chained) or  
[No. 1 to 3] : 5558TL (detached)  
Grounding Pin : 30490-2002 (chained) or  
[No. 4] : 30490-2012 (detached)  
Connected to  
Receptacle: 5557-06R-210  
Terminal : 5556T (chained) or  
5556TL (detached)



Name plate View B

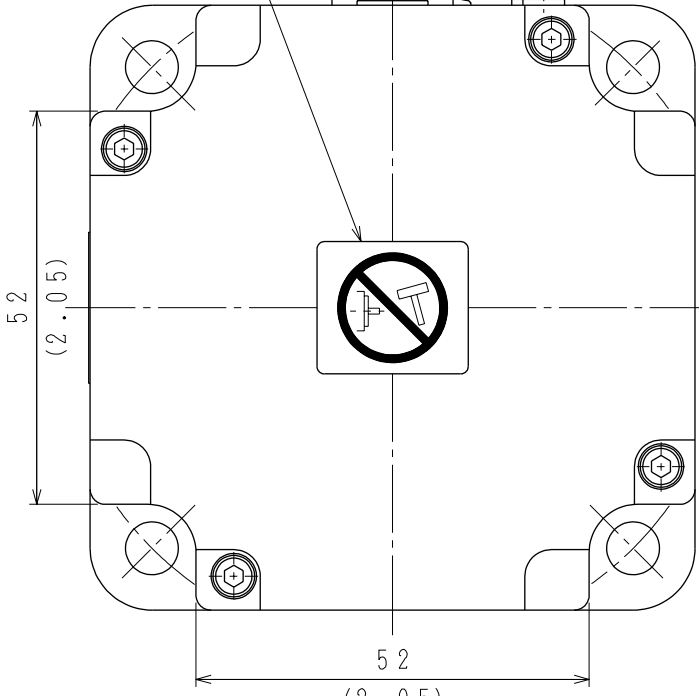


Notes.5

Screw for Frame ground

80 (3.15)

Name plate



Incremental encoder

Name plate

Type	Rated Output (W)	Rated Torque (N·m (lb·in))	Time Rating	Rated Rotation Speed (min <sup>-1</sup> )	Weight (kg (lb))	Allowable Radial Load Fr (N (lb))	Allowable Thrust Load (N (lb))
SJME-08AMB41	750	2.39 (21.1)	Continuous	3000	2.6 (5.7)	392 (88.1)	147 (33.0)

- Notes: 1. Motor specifications : DP0491511 (200V)  
2. Encoder specifications: DP0494062  
3. Dimensions of the keyway are conformed to JIS (Japanese Industrial Standard) No. B1301 "Sunk keys and their corresponding keyways (close keys)".  
4. Degrees of protection: IP55 (except for connectors and drive end side)  
5. Do not remove the screw connecting motor frame and frame ground lead.  
6. All dimensions are in millimeters (inches).



SCALE 1 : 1  
DRAW. T. Watanabe  
CHECK N. Yoshizawa  
APPR. K. Aoki

TITLE AC SERVOMOTOR JUNMA SERIES  
(750W)

DATE MAR. 22. '07  
DWG. NO. 900-011-333  
REV.