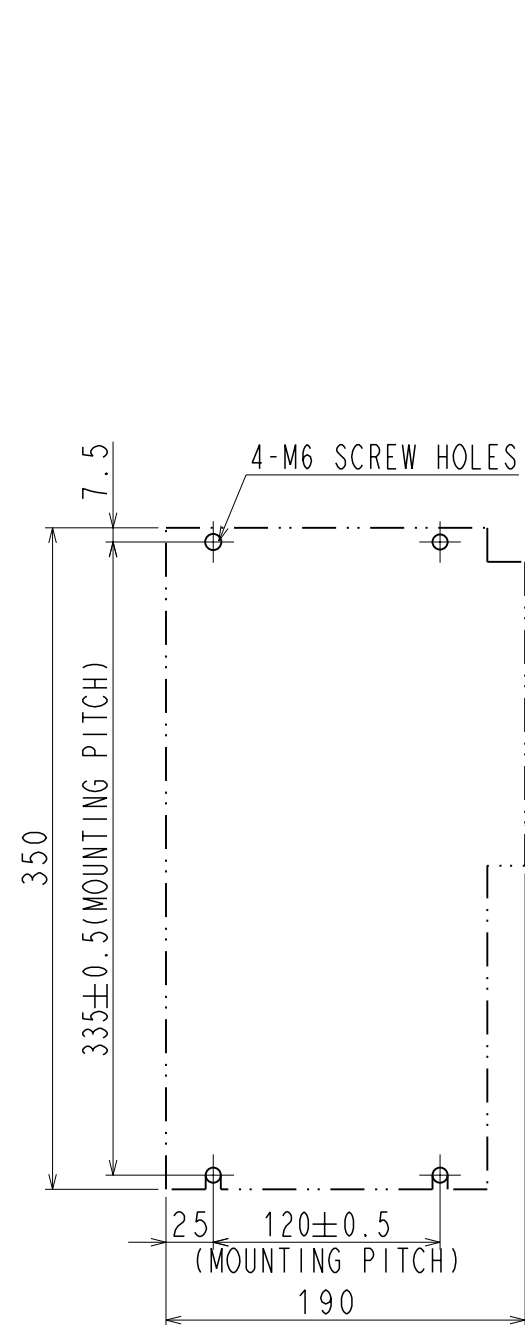
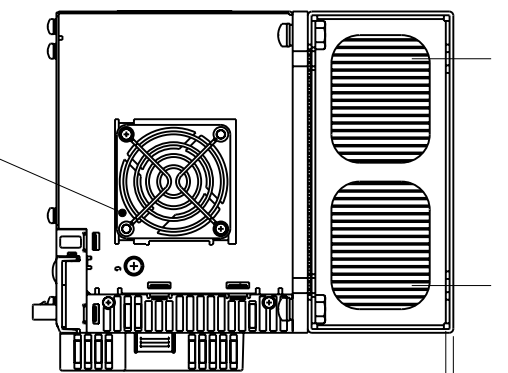


DWG. NO. 900-048-295-2/2

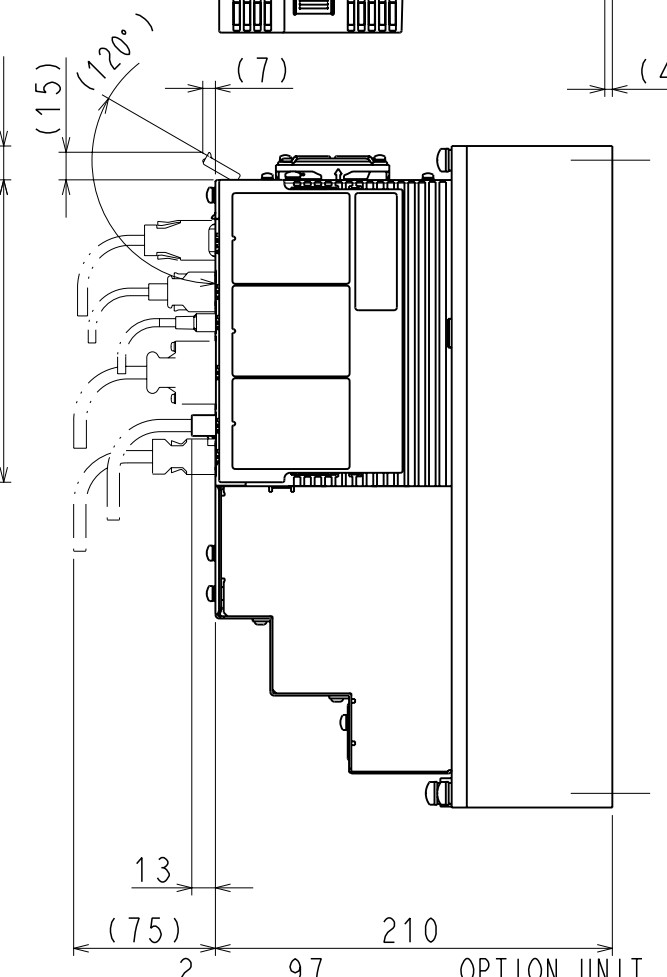
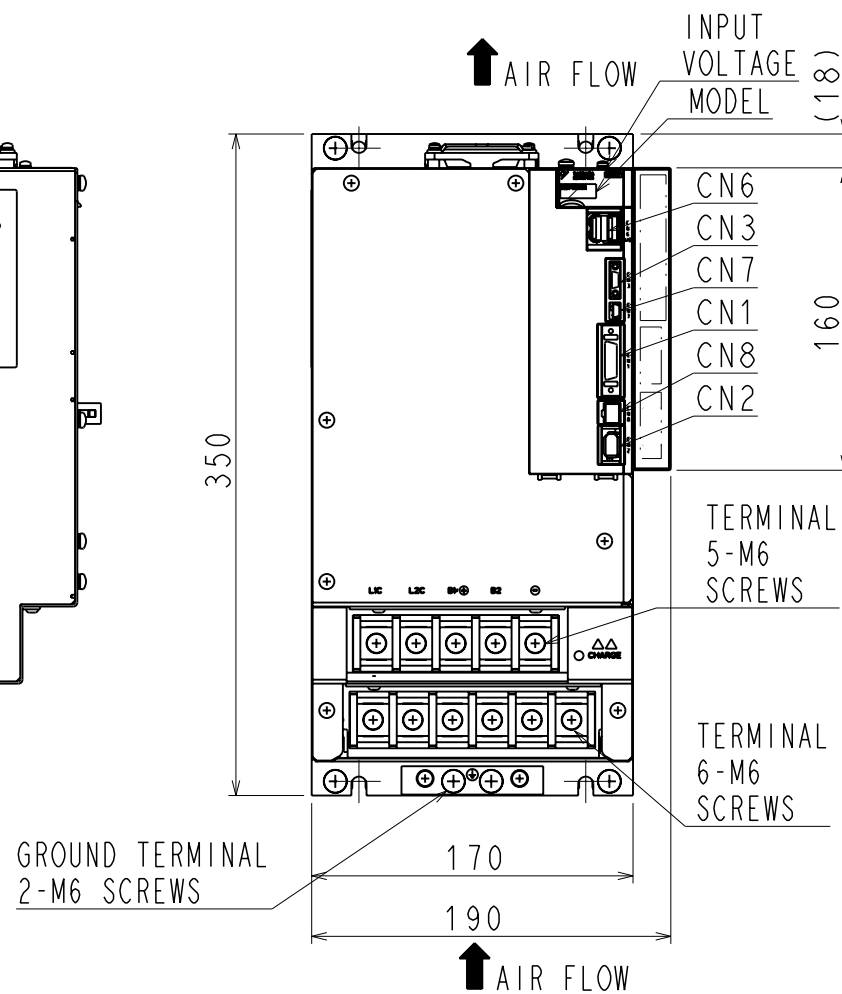
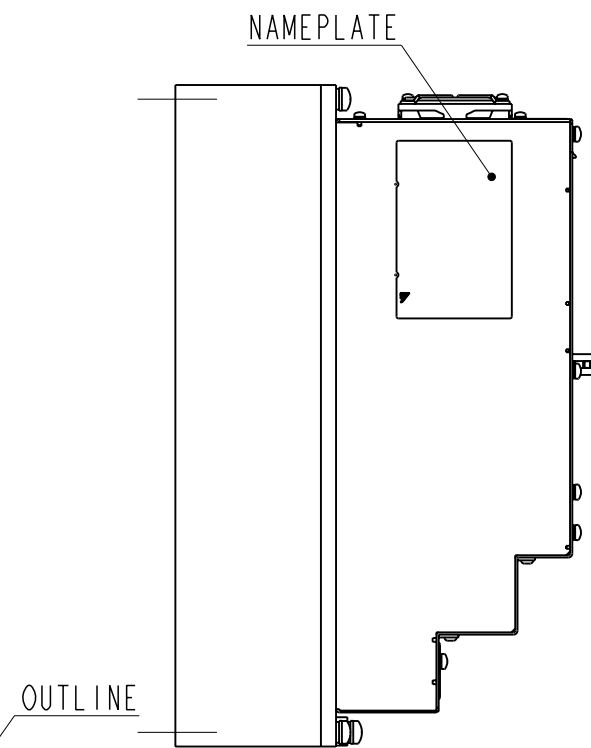
(NOTE1) This drawing is the base-mounted type.
 (NOTE2) Refer to the USER'S MANUAL for a standard for installation.
 (NOTE3) Refer to the following drawing for the connector of the option part.

SERVOPACK MODEL	OUTLINE DRAWING OF OPTION UNIT	OPTION CARD	APPROX. MASS
SGDV□□□A□□A□□□□□□001	900-018-923	FULLY CLOSED I/F CARD	10.3kg

COOLING FAN

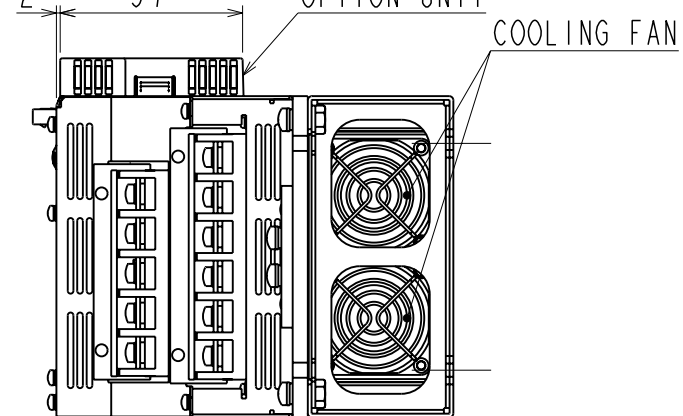


MOUNTING HOLE DIAGRAM



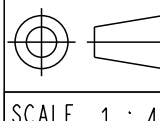
PART No.	MODEL	NUMBER OF CONTACTS	MANUFACTURER
CN1	10226-52A2PL	26	SUMITOMO 3M LIMITED
CN2	53984-0671	6	MOLEX JAPAN CO., LTD.
CN3	HDR-EC14LFDN-SLE-PLUS	14	HONDA TSUSHIN KOGYO CO., LTD.
CN6	1903815-1	8	Tyco Electronics AMP K.K.
CN7	MNC23-5K5H00	5	ADVANCED-CONNECTEK INC.
CN8	1981080-1	8	Tyco Electronics AMP K.K.

The above or the equivalent is used.



DIMENSION IN mm

REFERENCE ONLY



TITLE OUTLINE DRAWING OF SERVOPACK
 SGD V470/550A□□A*
 (□□: 11, 15) (*: OPTION CODE)

DWG. NO.

900-048-295

REV.

2/2

SIZE A3