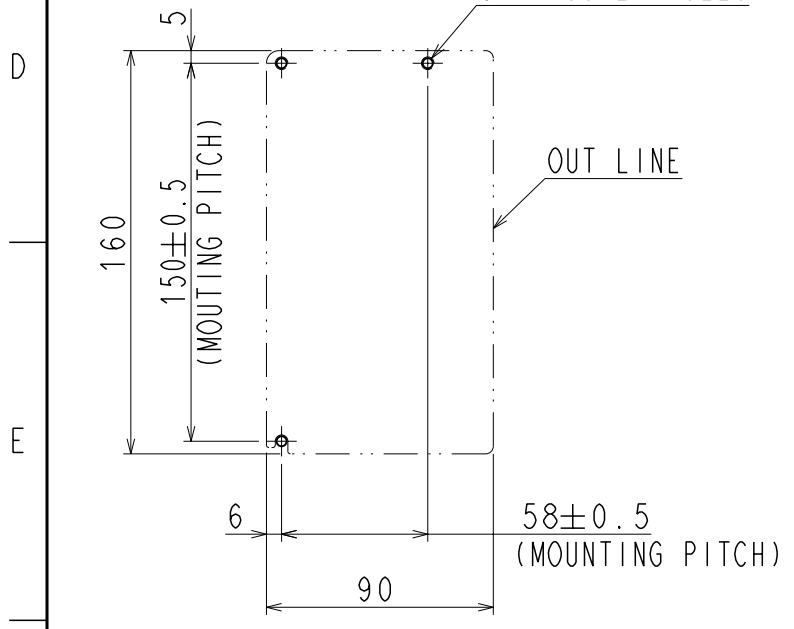
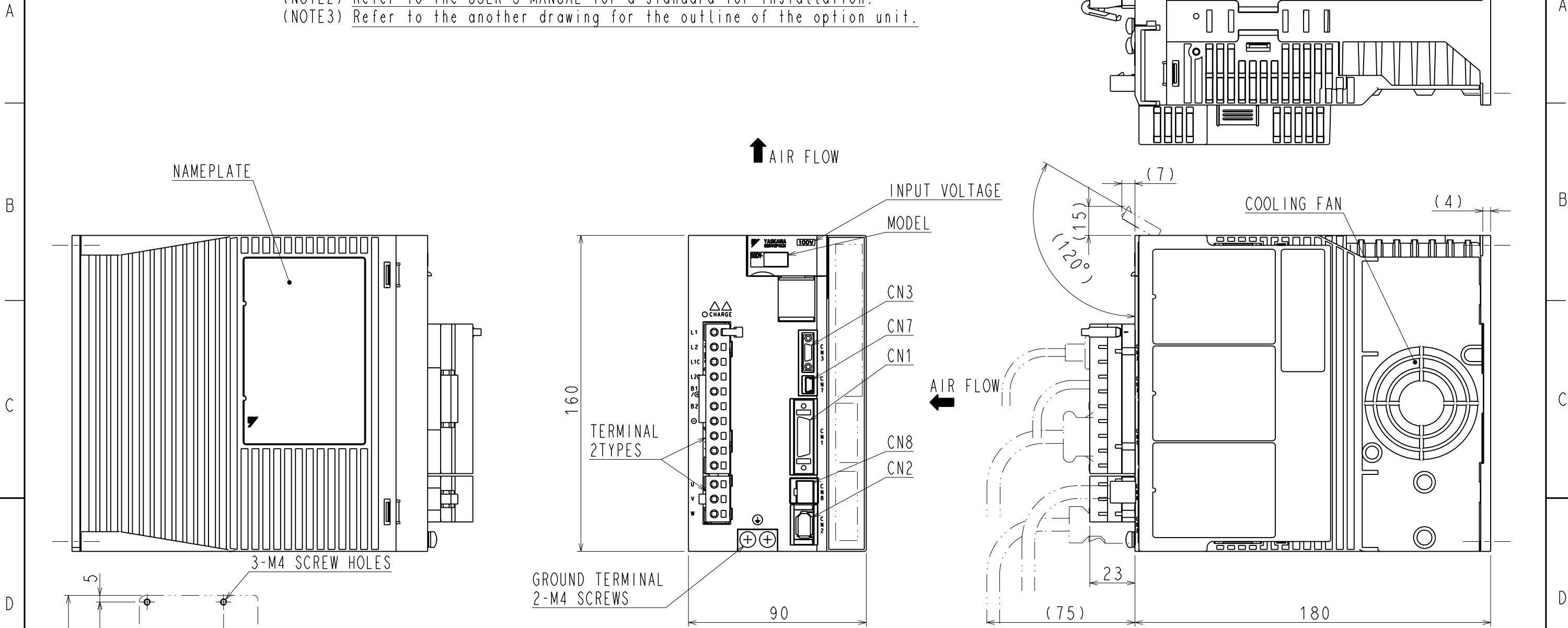


DWG.NO. 900-048-847-2/2

(NOTE1) This drawing is the base-mounted type.  
 (NOTE2) Refer to the USER'S MANUAL for a standard for installation.  
 (NOTE3) Refer to the another drawing for the outline of the option unit.



| PART No. | MODEL                 | NUMBER OF CONTACTS | MANUFACTURER                |
|----------|-----------------------|--------------------|-----------------------------|
| CN1      | 10226-52A2PL          | 26                 | SUMITOMO 3M LIMITED         |
| CN2      | 53984-0671            | 6                  | MOLEX JAPAN CO.,LTD         |
| CN3      | HDR-EC14LFDN-SLE-PLUS | 14                 | HONDA TSUSHIN KOGYO CO.,LTD |
| CN7      | MNC23-5K5H00          | 5                  | ADVANCED-CONNECTEK INC.     |
| CN8      | 1981080-1             | 8                  | Tyco Electronics AMP K.K.   |

The above or the equivalent is used.

DIMENSION IN mm  
 APPROX. MASS: 1.4kg  
 Remove mass of the option unit.