

DWG. NO. 900-131-205

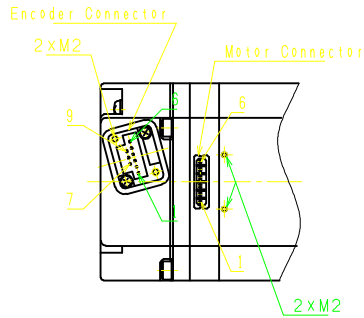


Encoder Terminal Connection

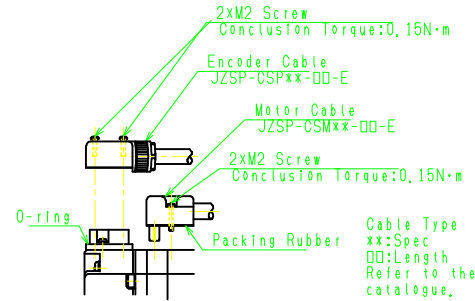
1	-
2	-
3	PG0V
4	PS
5	xPS
6	PG5V
7	-
8	0BAT
9	BAT
Con. Case	Frame Ground

Motor Terminal Connection

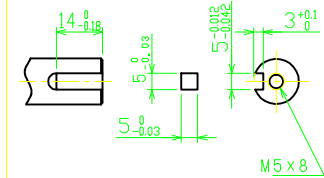
1	Frame Ground
2	Phase W
3	Phase V
4	Phase U
5	-
6	-



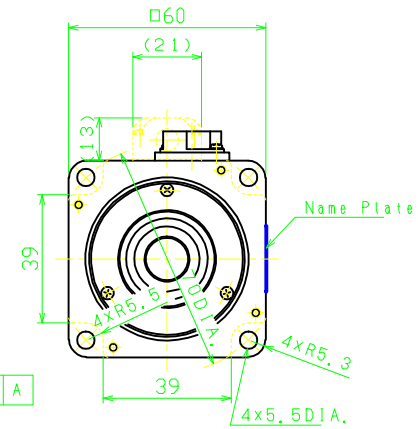
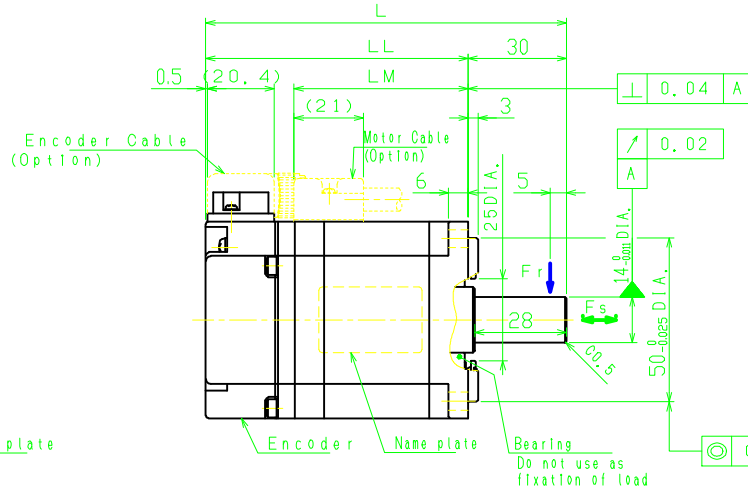
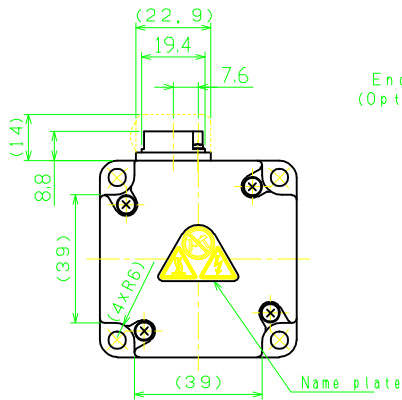
Cable Assembly



Shaft Type (Case of Item No. 2)



No. 2 supply a Key.



Notes

1. Motor Specifications :900-013-718
2. Encoder Specifications:900-013-878 (20bit Absolute)
3. Motor cable and encoder cable are not packed.
4. Please check the document (SAFETY PRECAUTIONS) packed with product before using motor. Please pay attention to usage of motor.
5. Degrees of Protection:IP65 (Case of our standard cable attaching) Except for drive end side.
6. At the time of delivery of motor, each of connectors are attached protective parts. Please remove them before cable attaching.
7. Do not touch each of the connector pins directly. It cause failure.
8. Please do not apply this motor to machine export to Japan.
9. All dimensions are in millimeters.

Item No.	Type	Shaft Type	L (mm)	LL (mm)	LM (mm)	Weight (kg)	Voltage (Vrms)	Rated Output (W)	Rated Torque (N·m)	Rated Armature Current (A rms)	Rated Rotation Speed (min <sup>-1</sup> )	Thermal Class	Time Rating	Allowable Radial Load Fr(N)	Allowable Thrust Load Fs(N)
1	SGMJV-02A3M21	Straight	110	80	53	0.9	200	200	0.637	1.6	3000	B	CONT.	245	74
2	SGMJV-02A3M61	Key+Tap					200 (3 Phase)								



SCALE 1/2  
DRAW. H. Abe  
CHECK T. Hirose  
APPR. K. Aoki

TITLE AC SERVOMOTOR Σ-V SERIES

SGMJV TYPE 200W

DATE May. 15, '13  
DWG. NO.

**900-131-205**

SIZE A3