

DWG. NO. 900-131-212

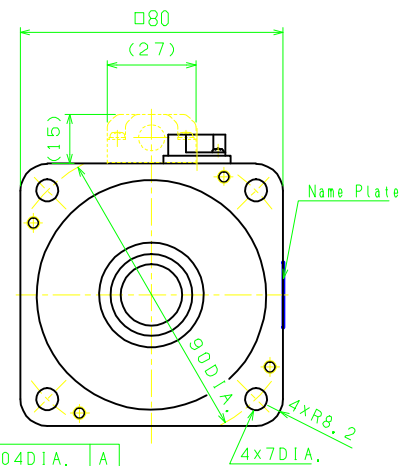
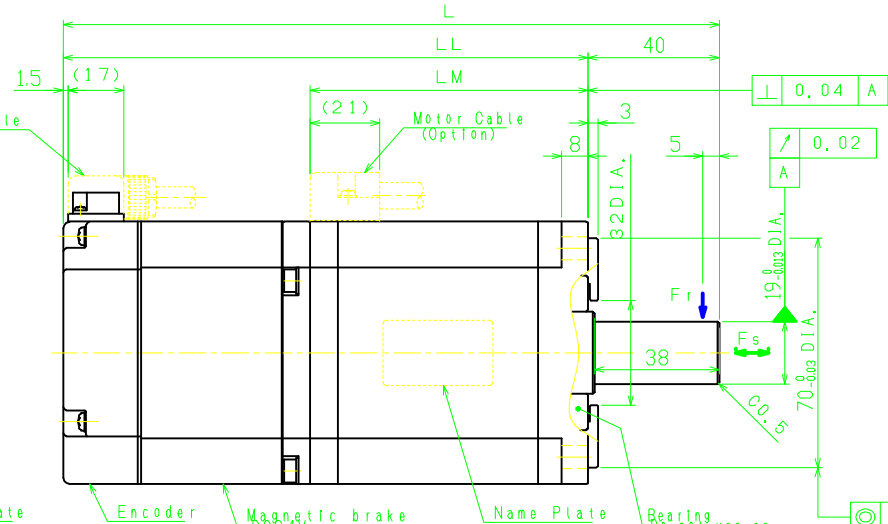
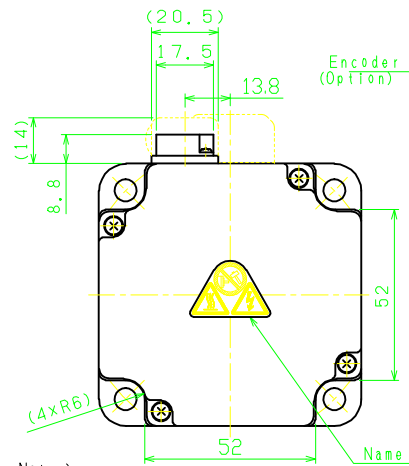
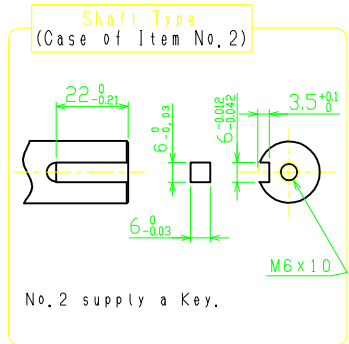
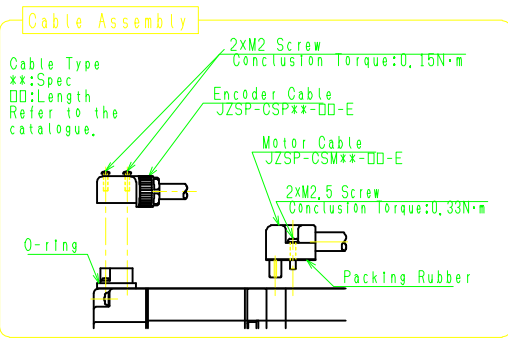
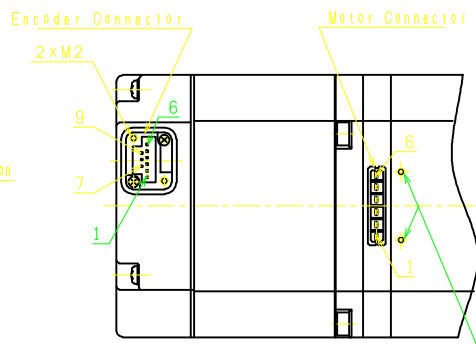


Encoder Terminal Connection

1	-
2	-
3	PGOV
4	PS
5	*PS
6	PG5V
7	-
8	-
9	-
Con. Case	Frame Ground

Motor Terminal Connection

1	Frame Ground
2	Phase W
3	Phase V
4	Phase U
5	Brake
6	Brake



- (Notes)
- Motor Specifications :900-013-718
 - Encoder Specifications:900-013-877 (20bit Incremental)
 - Motor cable and encoder cable are not packed.
 - Please check the document (SAFETY PRECAUTIONS) packed with product before using motor, Please pay attention to usage of motor.
 - Magnetic brake must be used for only position holding.
 - Degrees of Protection:IP65(Case of our standard cable attaching) Except for drive end side.
 - At the time of delivery of motor, each of connectors are attached protective parts. Please remove them before cable attaching.
 - Do not touch each of the connector pins directly. It cause failure.
 - Please do not apply this motor to machine export to Japan.
 - All dimensions are in millimeters.

Item No.	Type	Shaft Type	L (mm)	LL (mm)	LM (mm)	Weight (kg)	Voltage (Vrms)	Rated Output (W)	Rated Torque (N·m)	Rated Armature Current (Arms)	Rated Rotation Speed (min ⁻¹)	Thermal Class	Time Rating	Allowable Radial Load Fr(N)	Allowable Thrust Load Fs(N)
1	SGMJV-08ADM2C	Straight	200	160	85	3.6	200 (3 Phase)	750	2.39	4.7	3000	B	CONT.	392	147
2	SGMJV-08ADM6C	Key+Tap													



SCALE 1/2
DRAW. H. Abe
CHECK T. Hirose
APPR. K. Aoki

TITLE AC SERVOMOTOR Σ-V SERIES
SGMJV TYPE 750W

DATE May. 15, '13

DWG. NO. 900-131-212

SIZE A3