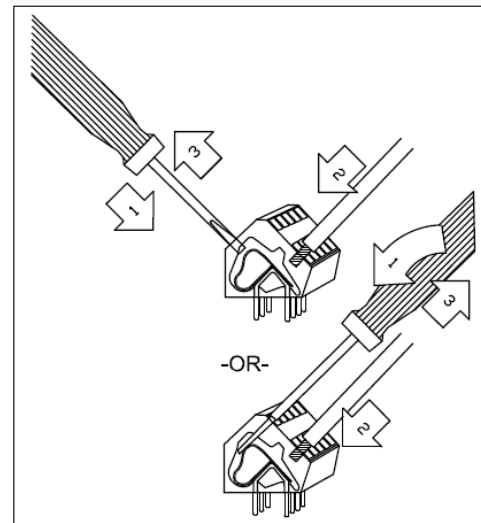
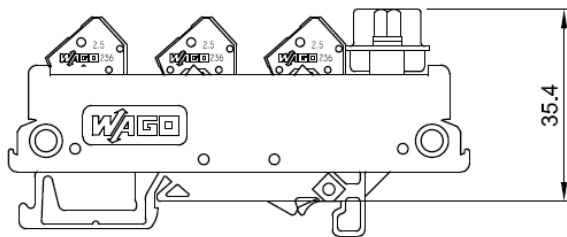
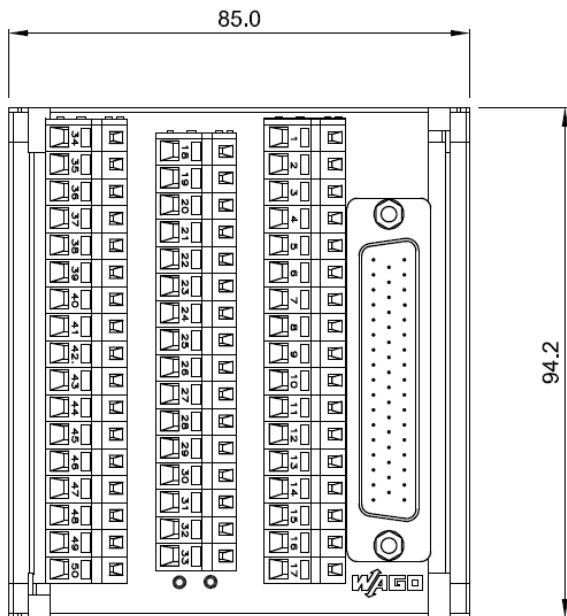


A
B
C
D
E
F
G
H



WIRE INSERTION DIAGRAM
(SCREWDRIVER METHOD)

NOTES:

- 1.) Terminal Block wire strip length= 5~6mm
- 2.) Terminal Block wire size= 12~28AWG
[If using ferrules...(WAGO 216 Series)...then 14~24AWG]
- 3.) Terminal Block mounts to DIN 35 rail
- 4.) Shield termination to Terminal Block shell is optional

THIS DOCUMENT AND THE INFORMATION CONTAINED IN IT ARE PUBLIC AND CAN BE DISCLOSED WITHOUT THE EXPRESS WRITTEN CONSENT OF YASKAWA AMERICA INC. SPECIFICATIONS ARE SUBJECT TO CHANGE WITHOUT NOTICE FOR ONGOING PRODUCT MODIFICATIONS AND IMPROVEMENTS.

YASKAWA

TITLE:
50036746 Terminal Block

ITEM #:
50036746

SIZE	REVISION	PAGE
-	0	1 of 1

DRAWING #:
CAD-50036746

SCALE: NTS UNITS: mm SHEET: 1/1

DWG REV#	DESCRIPTION	DATE	DRAWN BY
0	Initial Release	Mar 27, 2019	D. LEE