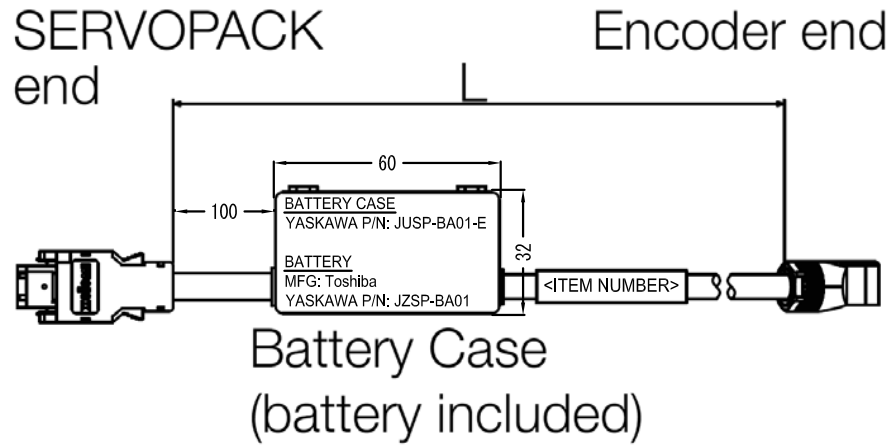


EXTERNAL DIMENSIONS:



The recommended bend radius is 15mm or larger.

SERVOPACK END CONNECTOR

Type	Standard Connector Kit
Inquires	Yaskawa Controls Co., Ltd.
Manufacturer	Molex Incorporated
Order Number	JZSP-CMP9-1-E
Specifications	55100-0670 (soldered) Product specifications: PS-54280
External Dimensions [mm]	

RAW CABLE

Item	Standard Cable
Order Number*	JZSP-CMP09-□□-E (maximum length: 20 m)
Specifications	UL20276 (rated temperature: 80°C) AWG22 × 2C + AWG24 × 2P
	AWG22 (0.33 mm ²) Outer diameter of insulating sheath: 1.15 mm
	AWG24 (0.20 mm ²) Outer diameter of insulating sheath: 1.09 mm
Finished Diameter	6.5 mm
Internal Structure and Lead Colors	

* Replace the boxes (□□) in the order number with the cable length (05, 10, 15, or 20).

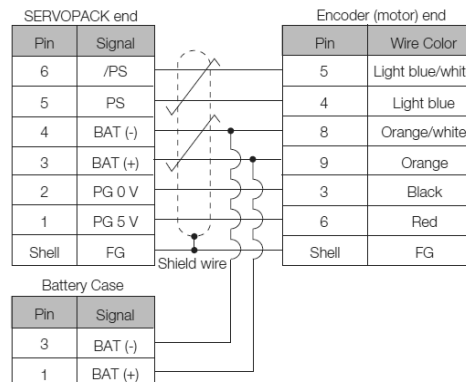
ENCODER END CONNECTOR

Order Number	JZSP-C7P9-1-E
Manufacturer	Molex Incorporated
Components	504678-0070 Loose Connectors: 56161-8181 (crimped), Reeled: 56161-8081 (crimped)
Applicable Wire Sizes	AWG22 to AWG26
Applicable Cable Diameter	6.3 mm to 7.7 mm
Outer Diameter of Insulating Sheath	1.05 mm to 1.4 mm
Mounting Screws	M2 pan-head screws (two)
Application Specifications	AS-504682
Crimping Specifications	CS-56161
Crimping Tool*	Hand Tool 57175-5000
Shell Caulking Tool	57331-5100
External Dimensions [mm]	
	<p>■ Cable Installed away from Load</p>

* A Crimping Tool is required. When using other wire sizes, contact the connector manufacturer for crimping tools.

ITEM NUMBER	L=Length
JZSP-C7PA0E-03-E	3000
JZSP-C7PA0E-05-E	5000
JZSP-C7PA0E-10-E	10000
JZSP-C7PA0E-15-E	15000
JZSP-C7PA0E-20-E	20000

WIRING SPECIFICATIONS



REV	DESCRIPTION	DATE	DRAWN BY
0	Initial Release	12/20/2018	E. SONDERMAN

THIS DOCUMENT AND THE INFORMATION CONTAINED IN IT ARE PUBLIC AND CAN BE DISCLOSED WITHOUT EXPRESS WRITTEN CONSENT OF YASKAWA AMERICA INC. SPECIFICATIONS ARE SUBJECT TO CHANGE WITHOUT NOTICE FOR ONGOING PRODUCT MODIFICATIONS AND IMPROVEMENTS.

YASKAWA

TITLE:SGM/J1/A-A5 to -10, SGM7P-01 to 04
Servomotor Encoder Cable, Incremental Or Absolute w/ Battery, Away From Load, Non-Flex, Shielded.

ITEM #: JZSP-C7PA0E-xx-E (xx = See Chart)

SIZE	REVISION	PAGE
-	0	1 of 1

SCALE: NTS UNITS: mm SHEET: 1/1

DRAWING #: CAD-JZSP-C7PA0E-xx-E