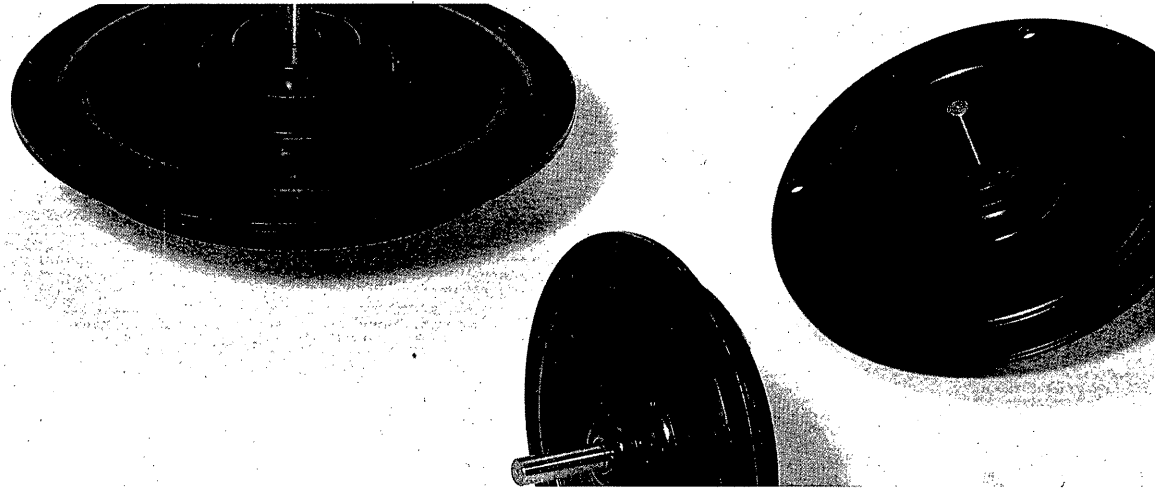


# Print Motors

DC SERVOMOTORS

NEO JUNIOR SERIES

TYPE UGPMEM-

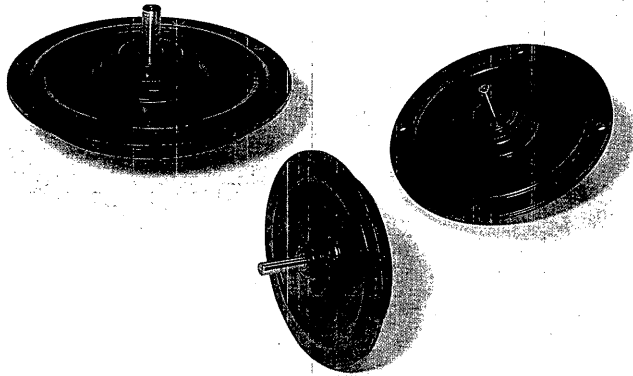


YASKAWA



Because of unique disc-armature structure, Print Motor features low inertia, small size, light weight, pancake shaped, long-life, and low cost, so that it is employed for various applications.

Neo Junior Series uses rare earth magnets and aims at high power density (output / motor mass ratio). This motor is ideal for motor-operated field operations, driving source for cordless equipment, and others.



589-132

## FEATURES

- High power density characteristics (output/motor mass ratio)
- Pancake shaped and compact design because of the use of rare earth magnets
- High efficiency and long-life with non-ferrous-coil structure



The Deming Application Prize Medal Awarded to Yaskawa in 1984 for Exceptional Achievement in Industrial Performance

# APPLICATIONS

Agriculture and Forestry : Lawn Mowers, Drainage Pumps  
 Cordless Equipment : Road Cleaning Machines, Fuel Pumps  
 Leisure Industry : Playing Machines, Submersible Scooters

# RATINGS AND SPECIFICATIONS

Time Rating : Continuous  
 Insulation Class : Type B  
 Insulation-Proof Pressure : 500VAC/min  
 Protection Method : Totally-Enclosed Self-Cooled (Type EE)  
 Ambient Temperature : -10 to +40°C

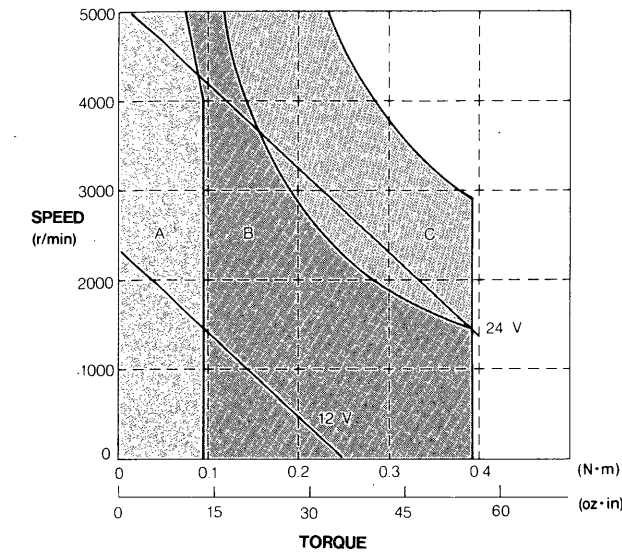
Specifications	Motor Type	UGPMEM-07A1	UGPMEM-09A1	UGPMEM-12AB
Rated Output	W	40	80	185
Rated Torque	N·m	0.095	0.191	0.44
	oz·in	13.5	27.1	62.5
Peak Torque	N·m	0.38	0.76	1.76
	oz·in	54.2	108	250
Rated Speed	r/min	4000	4000	4000
Maximum Speed	r/min	5000	5000	5000
Rated Armature Voltage	V	23	28	41
Rated Armature Current	A	2.7	4.2	6
Rated Power Rate	kW/s	0.45	1.07	1.3
Rotor Moment of Inertia	kg·m <sup>2</sup> × 10 <sup>-4</sup>	0.2	0.34	1.5
	oz·in·s <sup>2</sup> × 10 <sup>-3</sup>	2.83	4.82	21.2

**ORDERING INFORMATION**

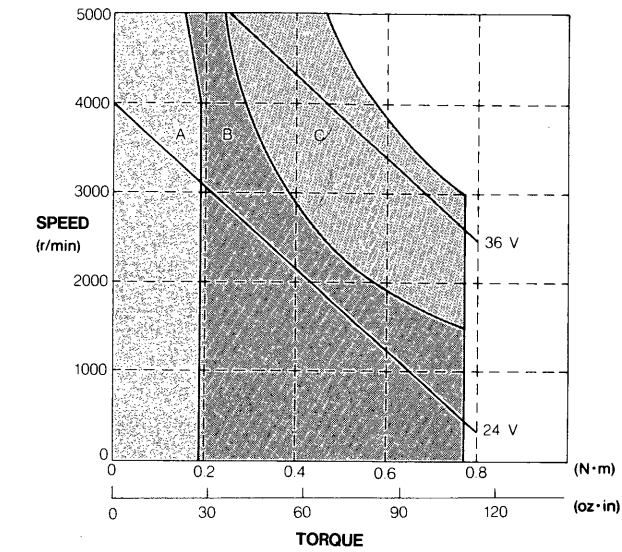
- Application
- Type
- Ratings: output, voltage, current, torque, speed
- Environmental conditions: ambient temperature, location
- Others to be specified

# MOTOR PERFORMANCE INFORMATION

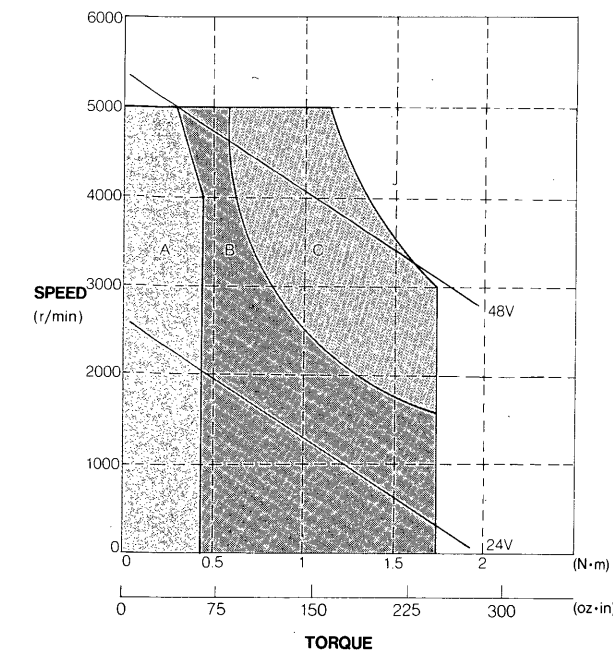
UGPMEM-07A1



UGPMEM-09A1



UGPMEM-12AB



- A** : Continuous Duty Zone
- B** : Intermittent Duty Zone
- C** : Accel-decel Duty Zone

Typical. at 100°C  
 (armature winding temp.)

# DIMENSIONS in mm inch

# Print Motors

DC SERVOMOTORS

NEO JUNIOR SERIES

TYPE UGPMEM- 

TOKYO OFFICE Ohtemachi Bldg, 1-6-1 Ohtemachi, Chiyoda-ku, Tokyo, 100 Japan  
 Phone (03) 3284-9111 Telex YASKAWA J33530 Fax (03) 3284-9034  
 SEOUL OFFICE 8th Floor Seoul Center Bldg, 91-1, Sogong-Dong, Chung-ku, Seoul, Korea 100-070  
 Phone (02) 776-7844 Fax (02) 753-2639  
 TAIPEI OFFICE Shen Hsiang Tang Sung Chiang Building 10F 146 Sung Chiang Road, Taipei, Taiwan  
 Phone (02) 563-0010, -7732 Fax (02) 567-4677  
**YASKAWA ELECTRIC AMERICA, INC.**  
 Chicago-Corporate Headquarters 2942 MacArthur Blvd. Northbrook, IL 60062-2028, U.S.A.  
 Phone (708) 291-2340 Fax (708) 498-2430  
 Chicago-Technical Center 3160 MacArthur Blvd. Northbrook, IL 60062-1917, U.S.A.  
 Phone (708) 291-0411 Fax (708) 291-1018  
**MOTOMAN INC.**  
 805 Liberty Lane West Carrollton, OH 45449, U.S.A.  
 Phone (513) 847-6200 Fax (513) 847-6277  
**YASKAWA ELECTRIC EUROPE GmbH**  
 Niederhöchstädter Straße 73, 61476 Kronberg-Oberhöchstadt, Germany  
 Phone (06173) 9380 Telex 415660 YASE D Fax (06173) 68421  
**YASKAWA ELÉTRICO DO BRASIL COMÉRCIO LTDA.**  
 Rua Conde Do Pinhal 8-5, Andar Sala 51 CEP 01501-São Paulo-SP, Brasil  
 Phone (011) 35-1911 Fax (011) 37-7375  
**YASKAWA ELECTRIC (SINGAPORE) PTE. LTD.**  
 Head Office : CPF Bldg, 79 Robinson Road # 13-05, Singapore 0106, SINGAPORE  
 Phone 221-7530 Telex (87) 24890 YASKAWA RS Fax 224-5854  
 Service Center : 221 Henderson Road, # 07-20 Henderson Building Singapore 0315, SINGAPORE  
 Phone 276-7407 Fax 276-7406  
**YATEC ENGINEERING CORPORATION**  
 Shen Hsiang Tang Sung Chiang Building 10F 146 Sung Chiang Road, Taipei, Taiwan  
 Phone (02) 563-0010 Fax (02) 567-4677

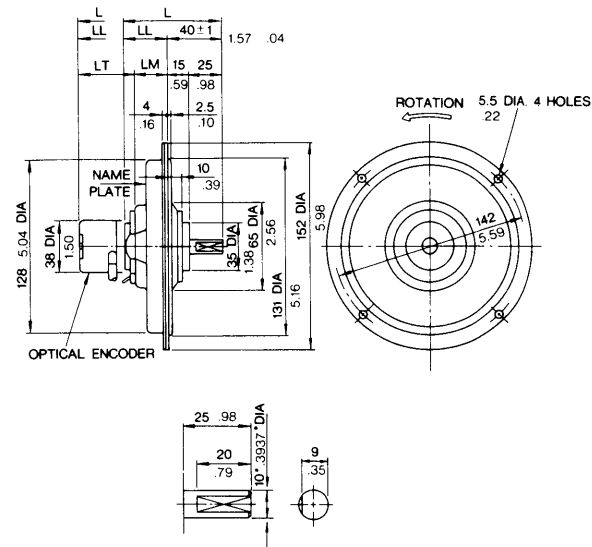


YASKAWA ELECTRIC CORPORATION

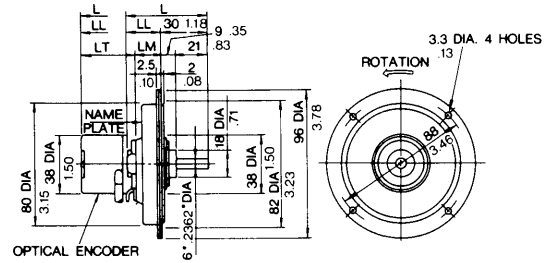
YASKAWA

Due to ongoing product modification/improvement, data subject to change without notice.

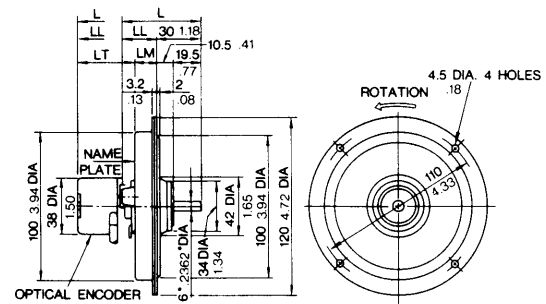
UGPMEM-12AB



UGPMEM-07A1



UGPMEM-09A1



Type	PG	L	LL	LM	LT	* Allowable Tolerance	Weight kg lb	Allowable Radial Load N lb	Allowable Thrust Load N lb
UGPMEM-07A12	—	53 2.09	23 0.906	—	—	0 0	0.36 0.79	19.6 4.4	9.8 2.2
UGPMEM-07A12 E	PG	83 3.27	53 2.09	18 0.709	35 1.38	-0.012 -0.0005	0.44 0.97	19.6 4.4	9.8 2.2
UGPMEM-09A12	—	55 2.17	25 0.98	—	—	0 0	0.68 1.50	24.5 5.5	9.8 2.2
UGPMEM-09A12 E	PG	85 3.35	55 2.17	15 0.59	40 1.57	-0.012 -0.0005	0.76 1.68	24.5 5.5	9.8 2.2
UGPMEM-12AB2	—	72.5 2.85	32.5 1.28	—	—	0 0	1.30 2.87	68.6 15.5	68.6 15.5
UGPMEM-12AB2 E	PG	106 4.17	66 2.60	25 0.98	41 1.61	-0.015 -0.00059	1.40 3.10	68.6 15.5	68.6 15.5