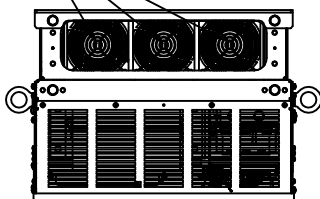
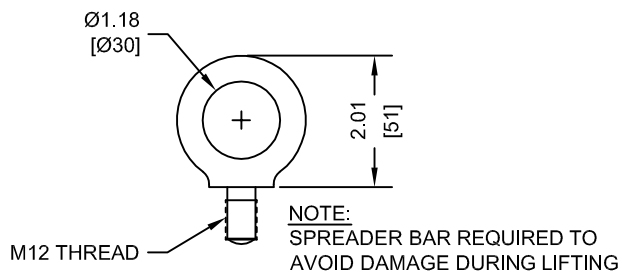


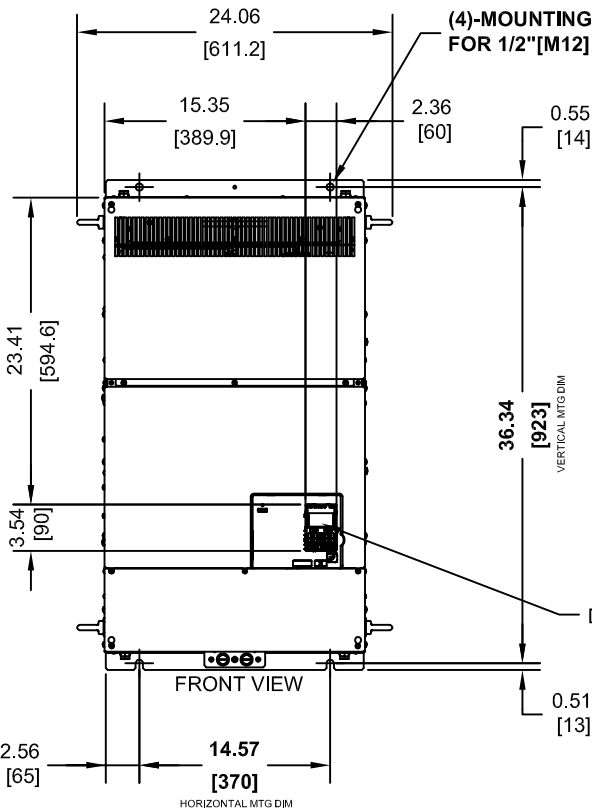
(3) EXTERNAL COOLING FANS



LIFTING AND EYEBOLT DETAILS

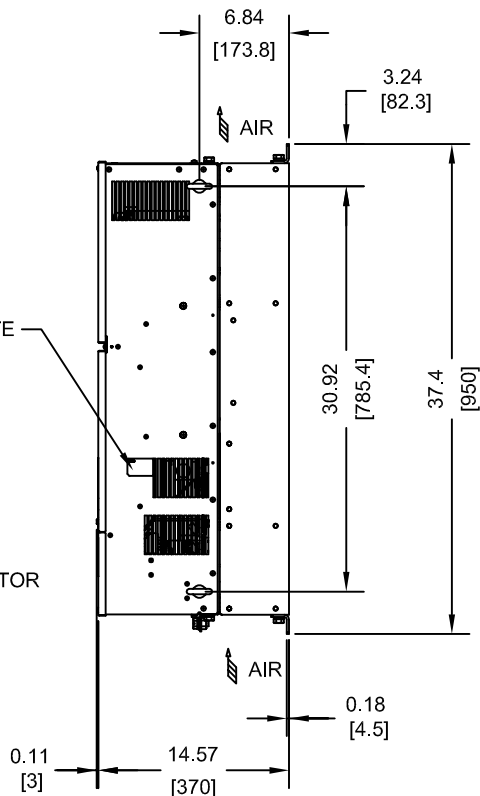


(4)-MOUNTING HOLES FOR 1/2" [M12] SCREWS



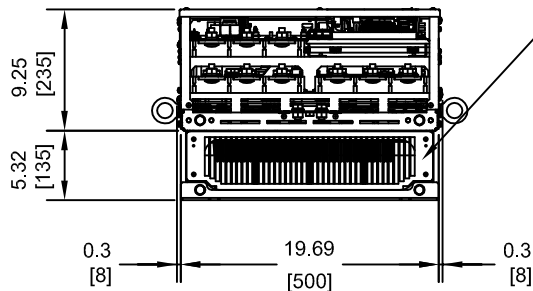
NAMEPLATE

DIGITAL OPERATOR



OPTIONAL CAPACITOR COVER

WHEN USING AN EXTERNAL MOUNT HEATSINK, UL COMPLIANCE REQUIRES COVERING EXPOSED CAPACITORS IN THE MAIN CIRCUIT TO PREVENT INJURY. CONSULT MANUAL FOR DETAILS.



MODEL # CIMR-AU	VOLTAGE THREE-PHASE (VAC)	OUTPUT CURRENT (A)		WEIGHT LBS (Kg)	HEAT LOSS (W)					
		ND	HD		ND (Fc=2kHz)			HD (Fc=5kHz)		
					INT	EXT	TOT	INT	EXT	TOT
4A0414AXX	380/480	414	370	275 (125)	1295	3443	4738	1164	3578	4742

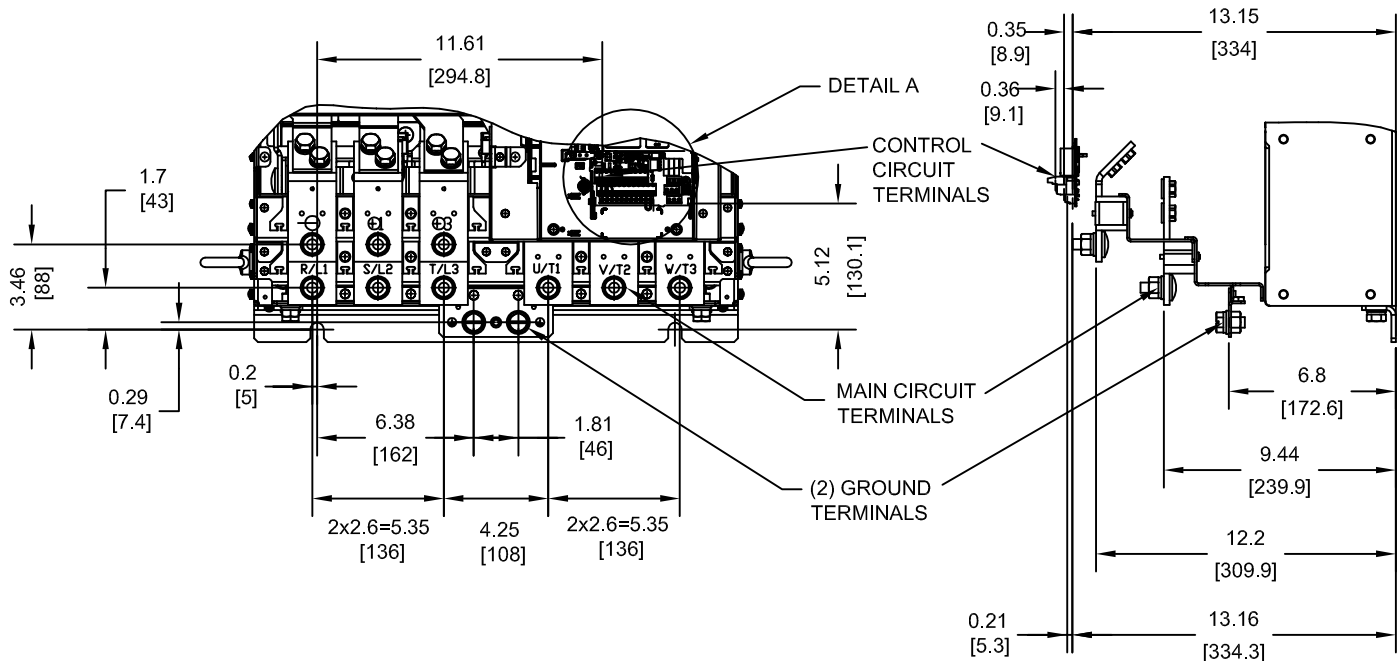
NOTES:  
XX DENOTES AA-ZZ

INT=INTERNAL COMPONENTS  
EXT=EXTERNAL HEATSINK  
TOT=TOTAL

FOR ADDITIONAL DETAILS AND SPECIFICATIONS, CONSULT MANUAL

TOLERANCES / REFERENCES:		<p>THIS DOCUMENT AND INFORMATION CONTAINED IN IT ARE CONFIDENTIAL, AND CANNOT BE COPIED OR DISCLOSED IN WHOLE OR IN PART WITHOUT THE EXPRESS WRITTEN CONSENT OF YASKAWA AMERICA, INC.</p>	DRAWN: J. MATTAS	DATE: 10-20-10	TITLE: A1000 DIMENSION DRAWING FRAME SIZE 13 IP00 ENCLOSURE 4A0414	
			CHECKED: J. PIOTROWSKI	DATE: 12-14-10		
			TECH: J. CAIRO	DATE: 12-19-10		
			APPROVED: T. SASADA	DATE: 12-21-10		
UNITS: IN [mm]	SCALE: 1:15	ORIGINAL DESIGN: -	DATE: -	SIZE: A	REVISION: R00	PAGE: 1 of 3
				DRAWING #: <b>DD.A1K.FR13.IP00</b>		

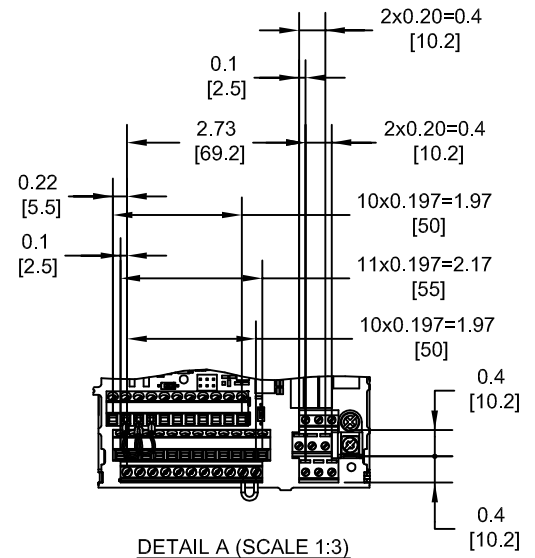
TERMINAL AND WIRING DETAILS (SCALE 1:8)



TERMINAL AND WIRE SPECIFICATIONS FOR MAIN CIRCUIT AND GROUND

MODEL # CIMR-AU	TERMINAL SYMBOL	TERMINAL SCREW	CLAMPING TORQUE lb.in.(N.m.)
4A0414	R/L1, S/L2, T/L3	M12	283.2 TO 354.0 (32 TO 40)
	U/T1, V/T2, W/T3		
	⊖, ⊕1		
	⊕3	M12	
	⊕	M12	

NOTE: REFER TO APPLICABLE CODES FOR PROPER WIRE TYPE AND SIZE

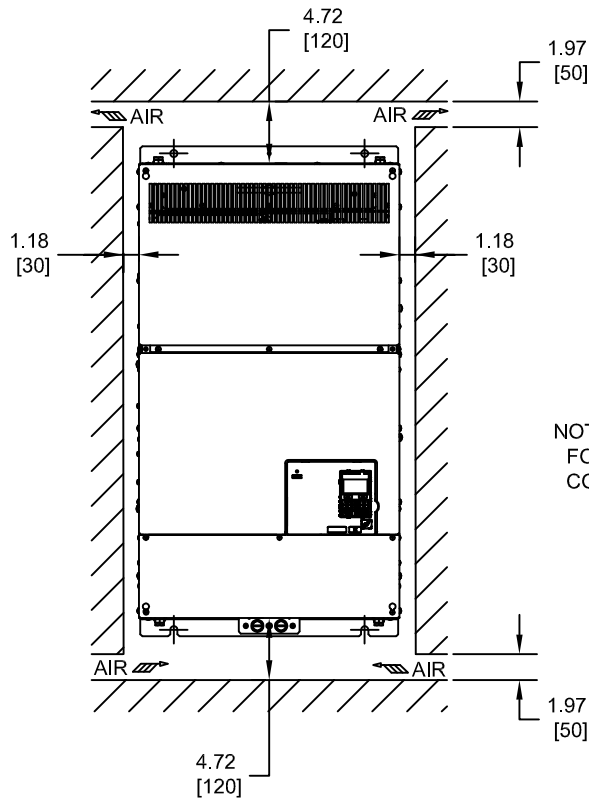


DETAIL A (SCALE 1:3)

FOR ADDITIONAL DETAILS AND SPECIFICATIONS, CONSULT MANUAL

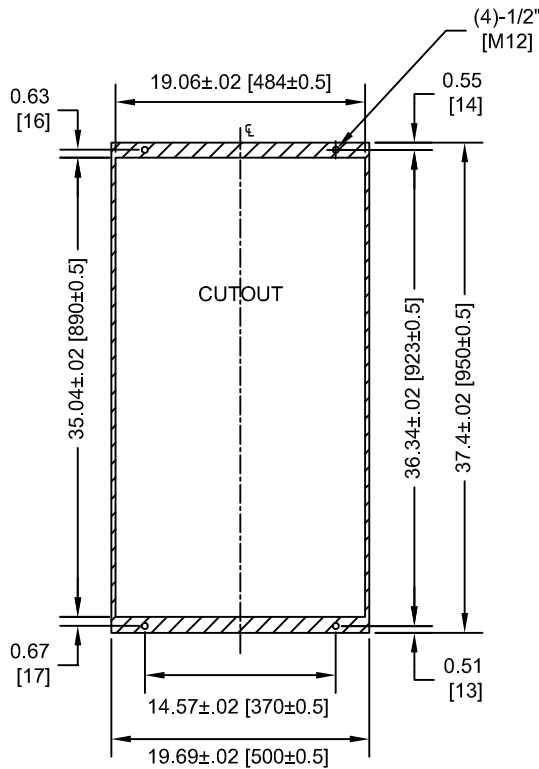
TOLERANCES / REFERENCES:			DRAWN: J. MATTAS	DATE: 10-20-10	TITLE: A1000 DIMENSION DRAWING FRAME SIZE 13 IP00 ENCLOSURE 4A0414	
			CHECKED: J. PIOTROWSKI	DATE: 12-14-10		
		THIS DOCUMENT AND INFORMATION CONTAINED IN IT ARE CONFIDENTIAL, AND CANNOT BE COPIED OR DISCLOSED IN WHOLE OR IN PART WITHOUT THE EXPRESS WRITTEN CONSENT OF YASKAWA AMERICA, INC.	TECH: J. CAIRO	DATE: 12-19-10	SIZE: A	REVISION: R00
			APPROVED: T. SASADA	DATE: 12-21-10	PAGE: 2 of 3	
UNITS: IN [mm]	SCALE: BY VIEW		ORIGINAL DESIGN: -	DATE: -	DRAWING #: DD.A1K.FR13.IP00	

MINIMUM INSTALLATION CLEARANCES (SCALE 1:15)



NOTE:  
FOR SIDE-BY-SIDE MOUNTING  
CONSULT MANUAL

PANEL CUTOUT FOR EXTERNAL HEATSINK  
MOUNTING CONFIGURATION (SCALE 1:15)



NOTE:  
EXPOSED HEATSINK DEPTH  
D=5.32" MINUS PANEL THICKNESS

FOR ADDITIONAL DETAILS AND SPECIFICATIONS, CONSULT MANUAL

TOLERANCES / REFERENCES:			DRAWN: J. MATTAS	DATE: 10-20-10	TITLE: A1000 DIMENSION DRAWING	
			CHECKED: J. PIOTROWSKI	DATE: 12-14-10	FRAME SIZE 13 IP00 ENCLOSURE	
		THIS DOCUMENT AND INFORMATION CONTAINED IN IT ARE CONFIDENTIAL, AND CANNOT BE COPIED OR DISCLOSED IN WHOLE OR IN PART WITHOUT THE EXPRESS WRITTEN CONSENT OF YASKAWA AMERICA, INC.			TECH: J. CAIRO	DATE: 12-19-10
					APPROVED: T. SASADA	DATE: 12-21-10
UNITS: IN [mm]	SCALE: BY VIEW	ORIGINAL DESIGN: -		DATE: -	SIZE: A	REVISION: R00
					DRAWING #: DD.A1K.FR13.IP00	PAGE: 3 of 3