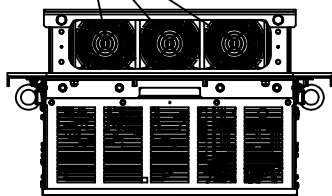
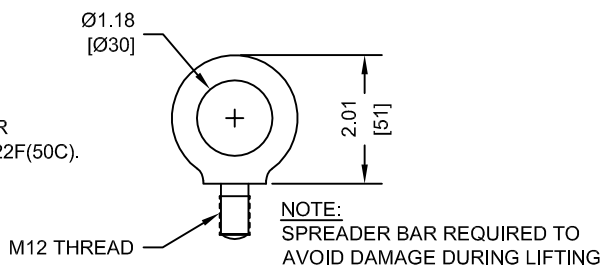


(3) EXTERNAL COOLING FANS

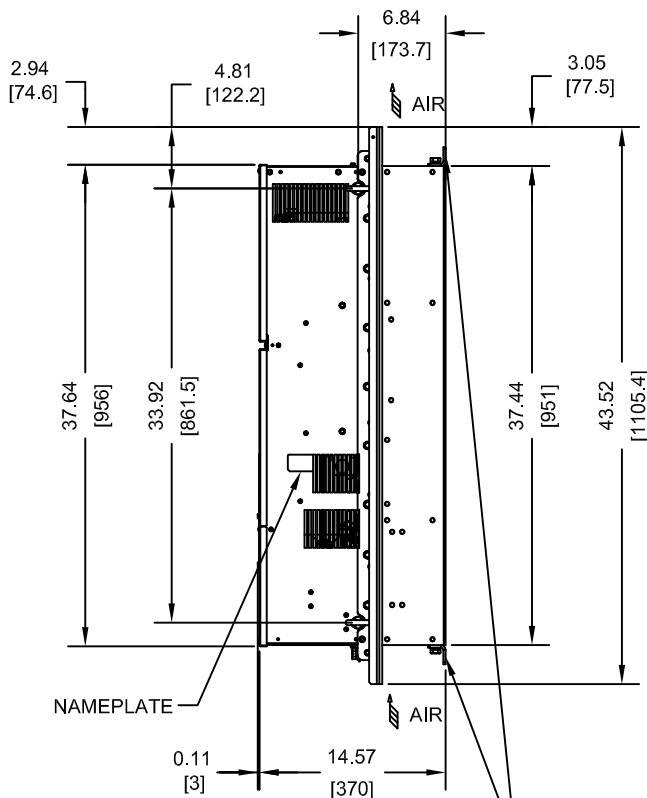
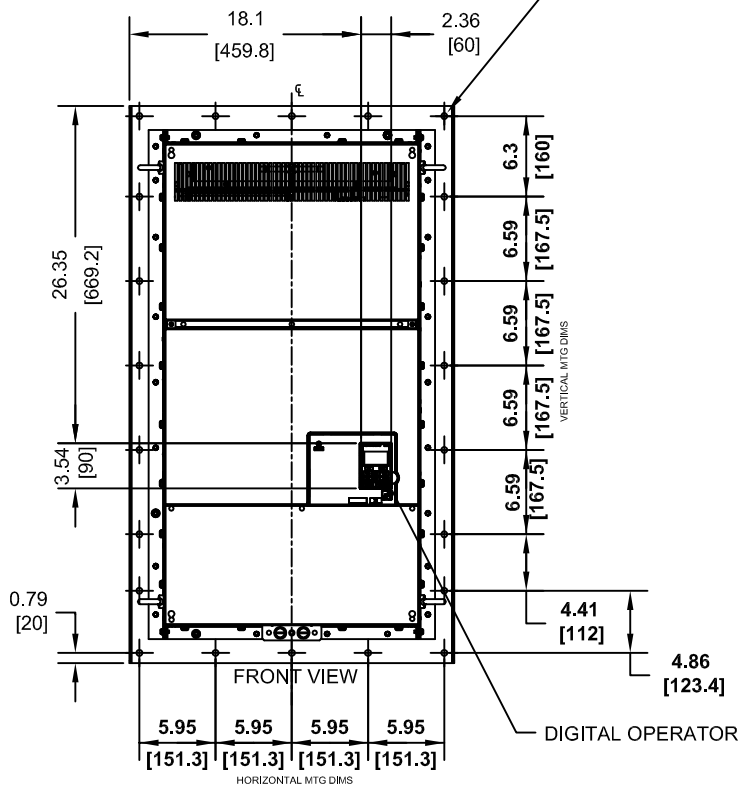


NOTE:
MAXIMUM SURROUNDING AIR
TEMPERATURE RATING IS 122F(50C).

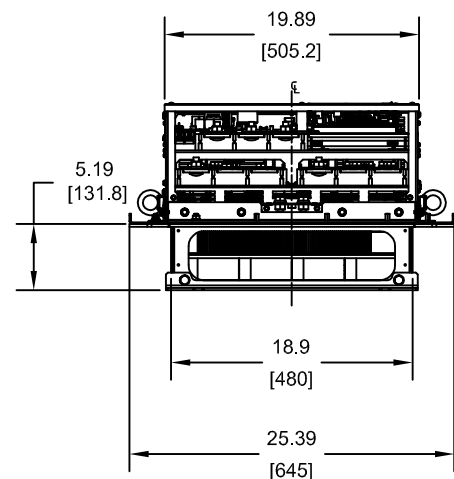
LIFTING AND EYEBOLT DETAILS



(22)-MOUNTING HOLES
FOR 3/8"[M10] SCREWS



(2)-MOUNTING BRACKETS
USED DURING TRANSPORT ONLY
REMOVE BEFORE INSTALLING



MODEL #	CIMR-AU	INPUT TYPE	VOLTAGE 3-PHASE (VAC)	OUTPUT CURRENT (A)		WEIGHT LBS (Kg)	HEAT LOSS (W)					
				ND	HD		ND (Fc=2kHz)			HD (Fc=2kHz)		
							INT	EXT	TOT	INT	EXT	TOT
4T0414UXX	12 PULSE	380/480	414	370	280 (127)	1083	3443	4526	1012	3578	4590	

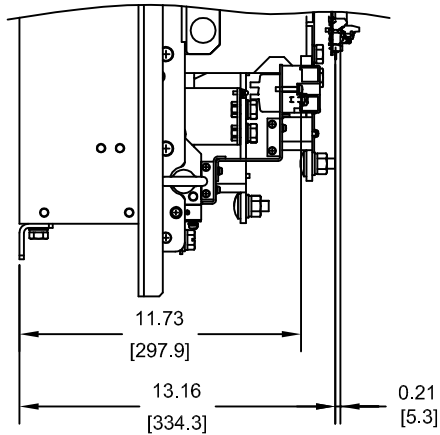
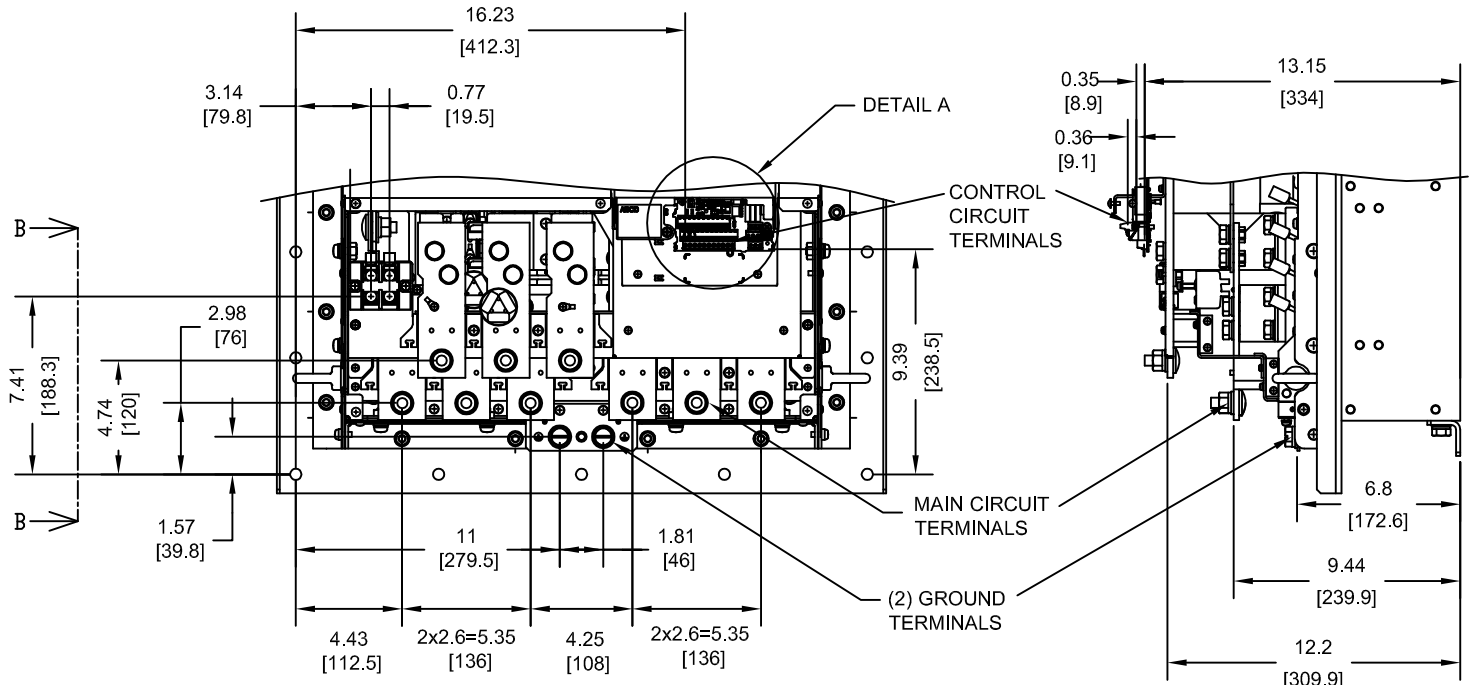
NOTES:
XX DENOTES AA-ZZ

INT=INTERNAL COMPONENTS
EXT=EXTERNAL HEATSINK
TOT=TOTAL

FOR ADDITIONAL DETAILS AND SPECIFICATIONS, CONSULT MANUAL

TOLERANCES / REFERENCES:		YASKAWA	DRAWN: J. MATTAS	DATE: 1-17-12	TITLE: A1000 DIMENSION DRAWING		
			CHECKED: J. PIOTROWSKI	DATE: 2-10-12	FRAME SIZE 13B DESIGNED FOR IP54/TYPE 12 ENCLOSURES		
			TECH: J. BORJA	DATE: 1-26-12	4T0414U		
			APPROVED: J. CAIRO	DATE: 4-7-12	SIZE: A	REVISION: R00	PAGE: 1 of 3
UNITS: IN [mm]	SCALE: 1:15	THIS DOCUMENT AND INFORMATION CONTAINED IN IT ARE CONFIDENTIAL, AND CANNOT BE COPIED OR DISCLOSED IN WHOLE OR IN PART WITHOUT THE EXPRESS WRITTEN CONSENT OF YASKAWA AMERICA, INC.		ORIGINAL DESIGN: -	DATE: -	DRAWING #: DD.A1K.FR13B.FLNG	

TERMINAL AND WIRING DETAILS (SCALE 1:8)

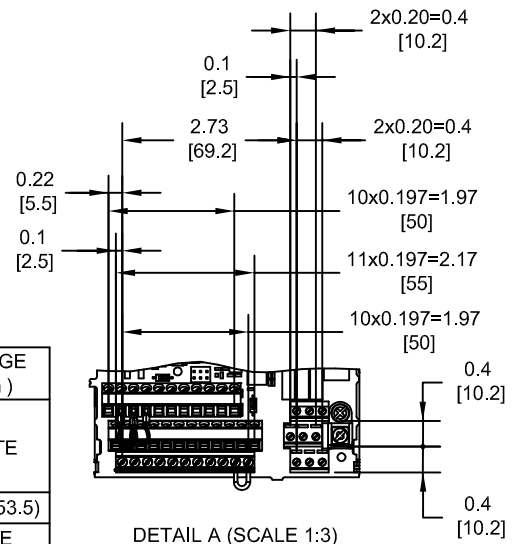


SECTION B-B

TERMINAL AND WIRE SPECIFICATIONS FOR MAIN CIRCUIT AND GROUND

MODEL # CIMR-AU	TERMINAL SYMBOL	TERMINAL SCREW	CLAMPING TORQUE lb.in.(N.m.)	WIRE RANGE AWG(mm)
4T0414U	R/L1, S/L2, T/L3	M12	283.2 TO 354.0 (32 TO 40)	SEE NOTE
	R1/L11, S1/L21, T1/L31			
	U/T1, V/T2, W/T3	M6	22.1 TO 26.6 (2.5 TO 3.0)	22-1/0 (0.3-53.5)
	⊙, ⊕			
	⊕	M12	283.2 TO 354.0 (32 TO 40)	SEE NOTE

NOTE: REFER TO APPLICABLE CODES FOR PROPER WIRE TYPE AND SIZE



DETAIL A (SCALE 1:3)

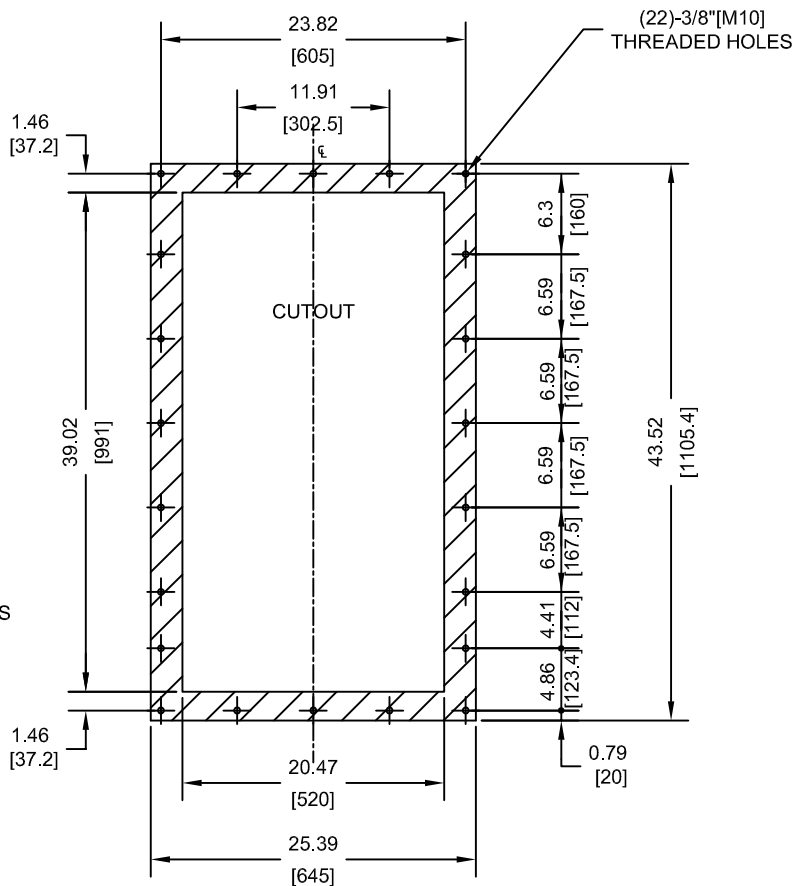
FOR ADDITIONAL DETAILS AND SPECIFICATIONS, CONSULT MANUAL

TOLERANCES / REFERENCES:		DRAWN:	J. MATTAS	DATE:	1-17-12	TITLE:		
		CHECKED:	J. PIOTROWSKI	DATE:	2-10-12	A1000 DIMENSION DRAWING		
THIS DOCUMENT AND INFORMATION CONTAINED IN IT ARE CONFIDENTIAL, AND CANNOT BE COPIED OR DISCLOSED IN WHOLE OR IN PART WITHOUT THE EXPRESS WRITTEN CONSENT OF YASKAWA AMERICA, INC.		TECH:	J. BORJA	DATE:	1-26-12	FRAME SIZE 13B	REVISION	R00
		APPROVED:	J. CAIRO	DATE:	4-7-12	DESIGNED FOR IP54/TYPE 12 ENCLOSURES	4T0414U	PAGE
UNITS:	SCALE:	ORIGINAL DESIGN:	-	DATE:	-	DRAWING #:		
IN[mm]	BY VIEW					DD.A1K.FR13B.FLNG		

1 2 3 4 5 6 7 8

A
B
C
D
E
F
G
H
I
J


**PANEL CUTOUT FOR EXTERNAL HEATSINK
MOUNTING CONFIGURATION (SCALE 1:15)**



NOTES:

1. CUTOUT TOLERANCES:
+/- 0.02IN (0.5MM)
2. EXPOSED HEATSINK DEPTH
D=5.19" MINUS PANEL THICKNESS
3. MIN. RECOMMENDED PANEL
THICKNESS: 10 GA

FOR ADDITIONAL DETAILS AND SPECIFICATIONS, CONSULT MANUAL

TOLERANCES / REFERENCES:			DRAWN: J. MATTAS DATE: 1-17-12	TITLE: A1000 DIMENSION DRAWING	
			CHECKED: J. PIOTROWSKI DATE: 2-10-12	FRAME SIZE 13B DESIGNED FOR IP54/TYPE 12 ENCLOSURES	
		THIS DOCUMENT AND INFORMATION CONTAINED IN IT ARE CONFIDENTIAL, AND CANNOT BE COPIED OR DISCLOSED IN WHOLE OR IN PART WITHOUT THE EXPRESS WRITTEN CONSENT OF YASKAWA AMERICA, INC.	TECH: J. BORJA DATE: 1-26-12	4T0414U	
UNITS: IN [mm]	SCALE: BY VIEW		APPROVED: J. CAIRO DATE: 4-7-12	ORIGINAL DESIGN: -	DATE: -
			DRAWING #: DD.A1K.FR13B.FLNG		PAGE: 3 of 3