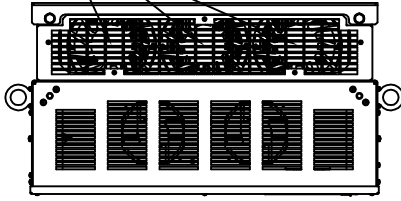
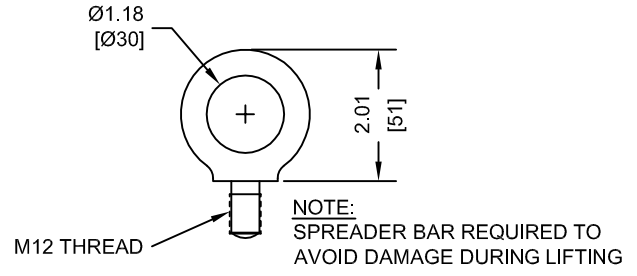


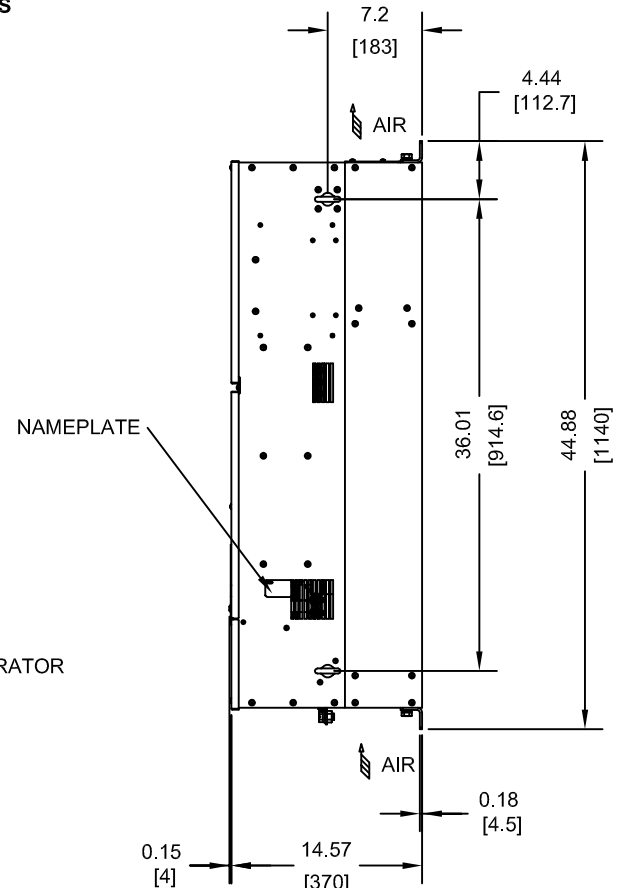
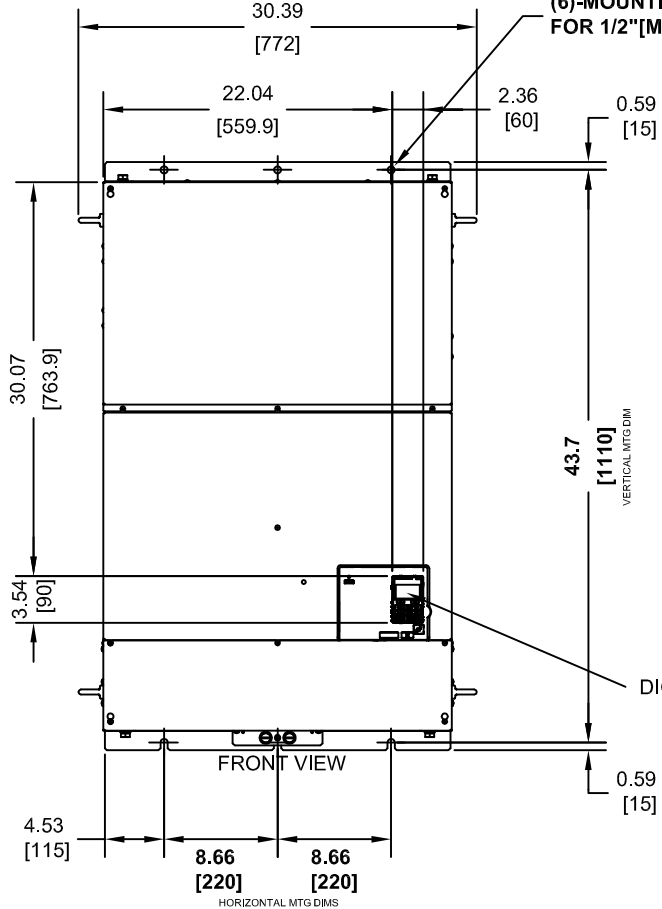
(3) EXTERNAL COOLING FANS



LIFTING AND EYEBOLT DETAILS

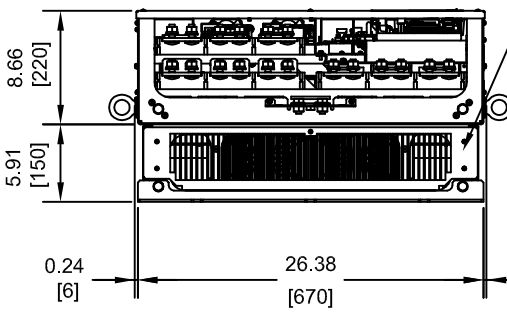


(6)-MOUNTING HOLES FOR 1/2" [M12] SCREWS



DIGITAL OPERATOR

OPTIONAL CAPACITOR COVER
WHEN USING AN EXTERNAL MOUNT HEATSINK, UL COMPLIANCE REQUIRES COVERING EXPOSED CAPACITORS IN THE MAIN CIRCUIT TO PREVENT INJURY. CONSULT MANUAL FOR DETAILS.



MODEL # CIMR-AU	INPUT TYPE	VOLTAGE 3-PHASE (VAC)	OUTPUT CURRENT (A)		WEIGHT LBS (Kg)	HEAT LOSS (W)					
						ND (Fc=2kHz)			HD (Fc=2kHz)		
			ND	HD		INT	EXT	TOT	INT	EXT	TOT
4A0515AXX	6 PULSE	380/480	515	450	475 (216)	1668	4850	6518	1386	3972	5358
4A0675AXX	6 PULSE		675	605	486 (221)	2037	4861	6898	1685	4191	5875

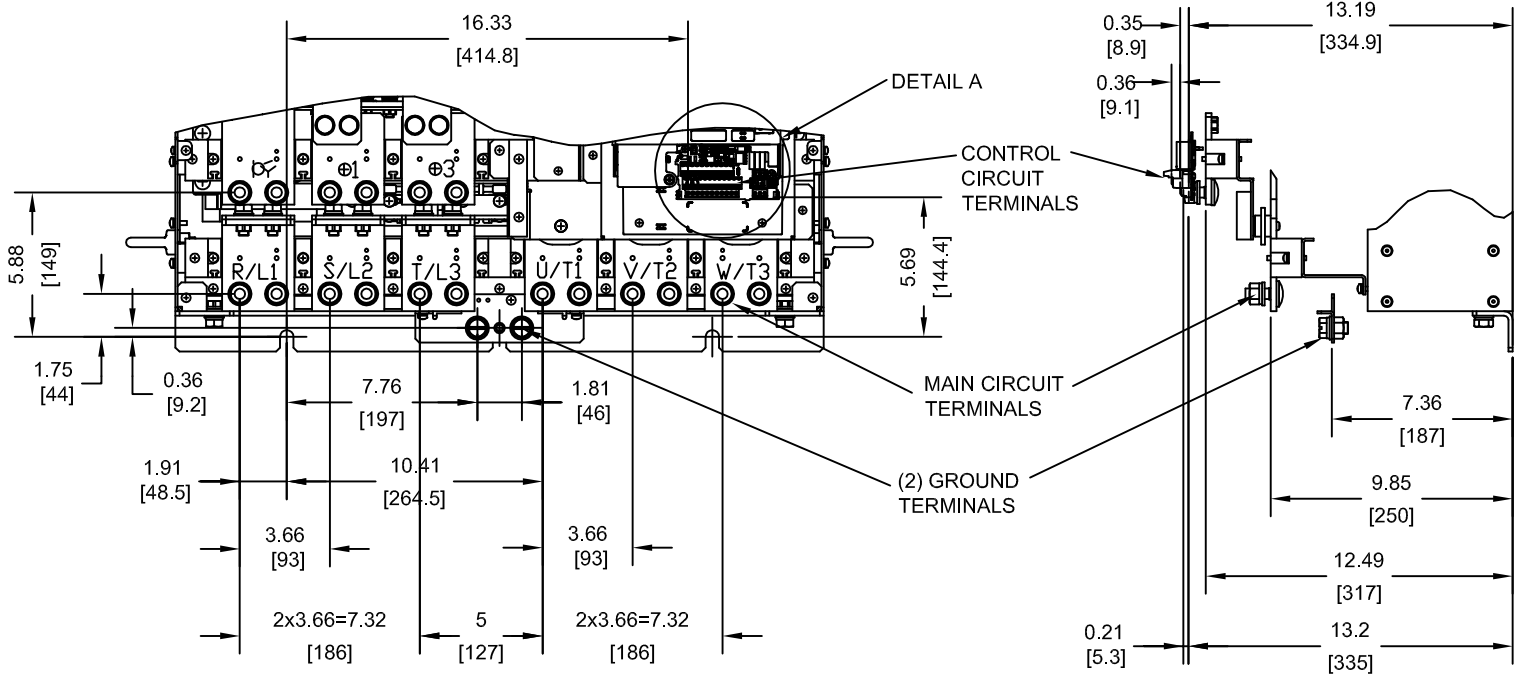
NOTES:
XX DENOTES AA-ZZ

INT=INTERNAL COMPONENTS
EXT=EXTERNAL HEATSINK
TOT=TOTAL

FOR ADDITIONAL DETAILS AND SPECIFICATIONS, CONSULT MANUAL

TOLERANCES / REFERENCES:			DRAWN: J. MATTAS	DATE: 10-12-10	TITLE: A1000 DIMENSION DRAWING FRAME SIZE 14A IP00 ENCLOSURE 4A0515A AND 4A0675A		
			CHECKED: J. PIOTROWSKI	DATE: 12-14-10			
		THIS DOCUMENT AND INFORMATION CONTAINED IN IT ARE CONFIDENTIAL, AND CANNOT BE COPIED OR DISCLOSED IN WHOLE OR IN PART WITHOUT THE EXPRESS WRITTEN CONSENT OF YASKAWA AMERICA, INC.	TECH: J. CAIRO	DATE: 12-19-10			
			APPROVED: T. SASADA	DATE: 12-21-10	SIZE: A	REVISION: R01	PAGE: 1 of 3
UNITS: IN [mm]	SCALE: 1:15		ORIGINAL DESIGN: -	DATE: -	DRAWING #: DD.A1K.FR14A.IP00		

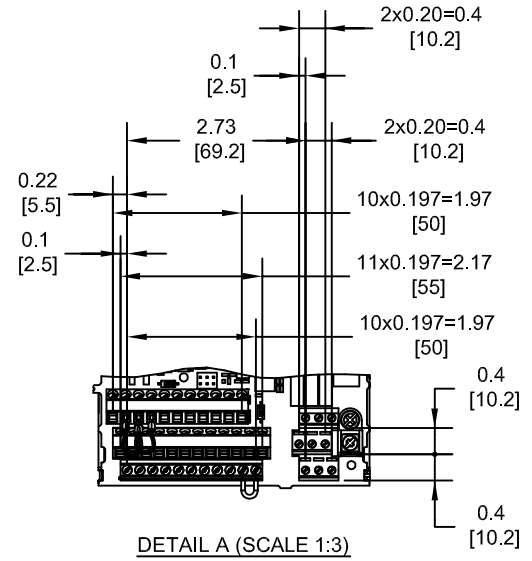
TERMINAL AND WIRING DETAILS (SCALE 1:8)



TERMINAL AND WIRE SPECIFICATIONS FOR MAIN CIRCUIT AND GROUND

MODEL # CIMR-AU	TERMINAL SYMBOL	TERMINAL SCREW	CLAMPING TORQUE lb.in.(N.m.)
4A0515A 4A0675A	R/L1, S/L2, T/L3	M12	283.2 TO 354.0 (32 TO 40)
	U/T1, V/T2, W/T3		
	⊖, ⊕1	M12	283.2 TO 354.0 (32 TO 40)
	⊕3	M12	283.2 TO 354.0 (32 TO 40)
	⊕	M12	283.2 TO 354.0 (32 TO 40)

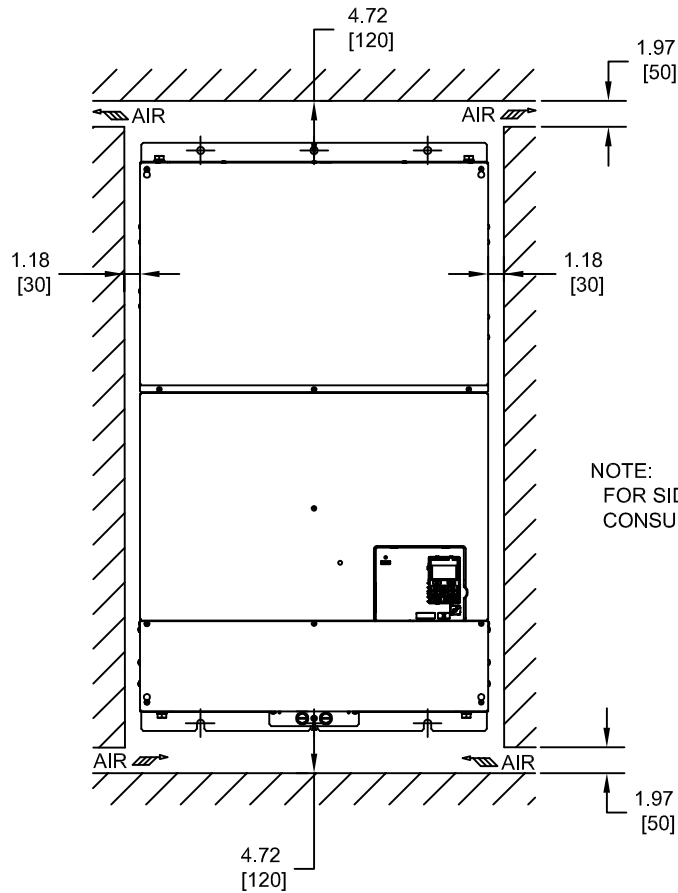
NOTE: REFER TO APPLICABLE CODES FOR PROPER WIRE TYPE AND SIZE



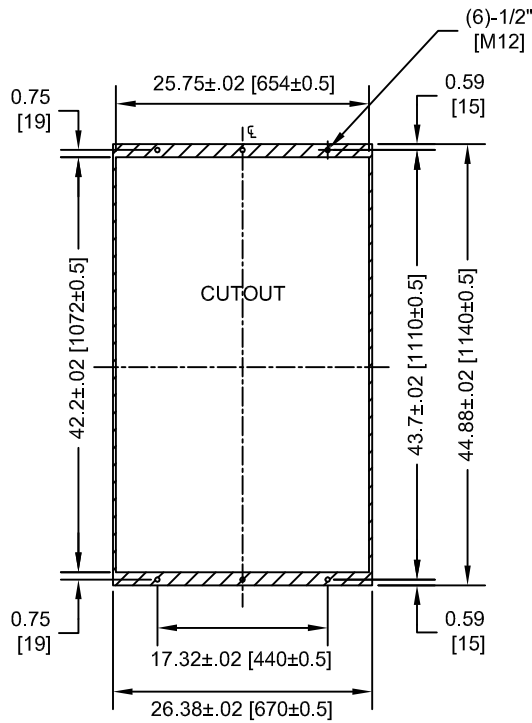
FOR ADDITIONAL DETAILS AND SPECIFICATIONS, CONSULT MANUAL

TOLERANCES / REFERENCES:			DRAWN: J. MATTAS CHECKED: J. PIOTROWSKI TECH: J. CAIRO APPROVED: T. SASADA ORIGINAL DESIGN: -	DATE: 10-12-10 DATE: 12-14-10 DATE: 12-19-10 DATE: 12-21-10 DATE: -	TITLE: A1000 DIMENSION DRAWING FRAME SIZE 14A IP00 ENCLOSURE 4A0515A AND 4A0675A SIZE: A REVISION: R01 DRAWING #: DD.A1K.FR14A.IP00	PAGE: 2 of 3
UNITS: IN [mm]	SCALE: BY VIEW		THIS DOCUMENT AND INFORMATION CONTAINED IN IT ARE CONFIDENTIAL, AND CANNOT BE COPIED OR DISCLOSED IN WHOLE OR IN PART WITHOUT THE EXPRESS WRITTEN CONSENT OF YASKAWA AMERICA, INC.			

MINIMUM INSTALLATION CLEARANCES (SCALE 1:15)



PANEL CUTOUT FOR EXTERNAL HEATSINK MOUNTING CONFIGURATION (SCALE 1:20)



NOTE:
EXPOSED HEATSINK DEPTH
D=5.91" MINUS PANEL THICKNESS

FOR ADDITIONAL DETAILS AND SPECIFICATIONS, CONSULT MANUAL

TOLERANCES / REFERENCES:			DRAWN: J. MATTAS	DATE: 10-12-10	TITLE: A1000 DIMENSION DRAWING	
			CHECKED: J. PIOTROWSKI	DATE: 12-14-10	FRAME SIZE 14A IP00 ENCLOSURE	
		THIS DOCUMENT AND INFORMATION CONTAINED IN IT ARE CONFIDENTIAL, AND CANNOT BE COPIED OR DISCLOSED IN WHOLE OR IN PART WITHOUT THE EXPRESS WRITTEN CONSENT OF YASKAWA AMERICA, INC.		TECH: J. CAIRO	DATE: 12-19-10	4A0515A AND 4A0675A
UNITS: IN [mm]	SCALE: BY VIEW	APPROVED: T. SASADA	DATE: 12-21-10	ORIGINAL DESIGN: -	DATE: -	SIZE: A REVISION: R01 PAGE: 3 of 3
						DRAWING #: DD.A1K.FR14A.IP00