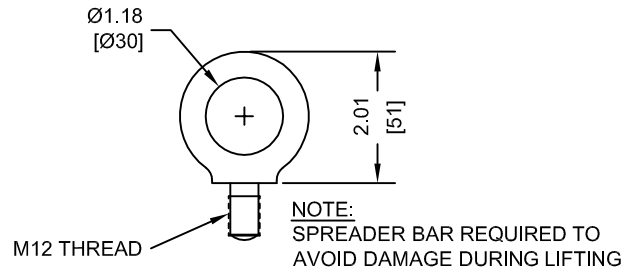


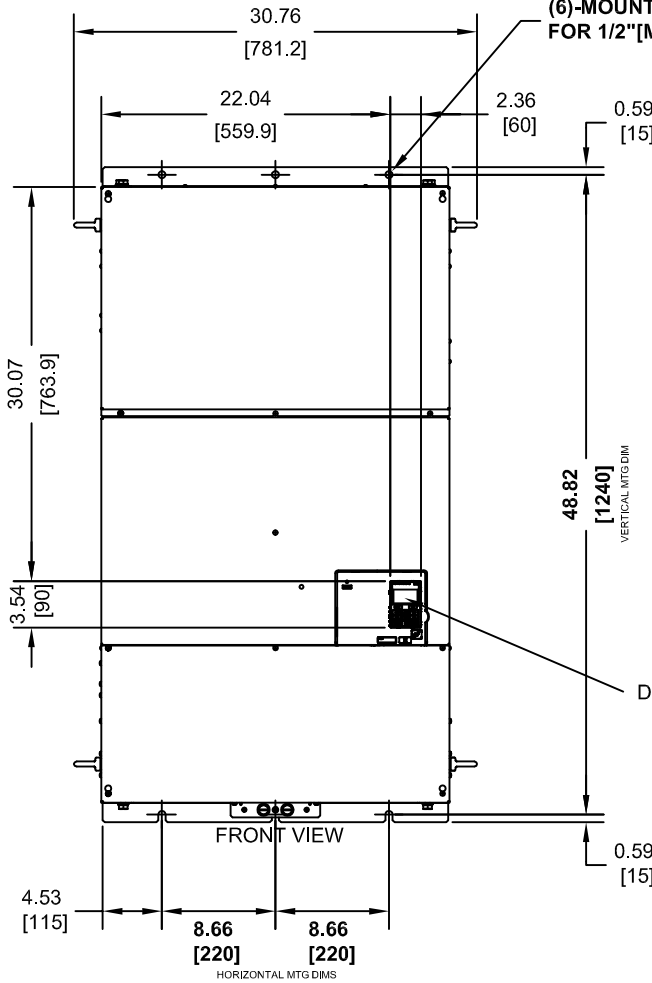
(3) EXTERNAL COOLING FANS



LIFTING AND EYEBOLT DETAILS

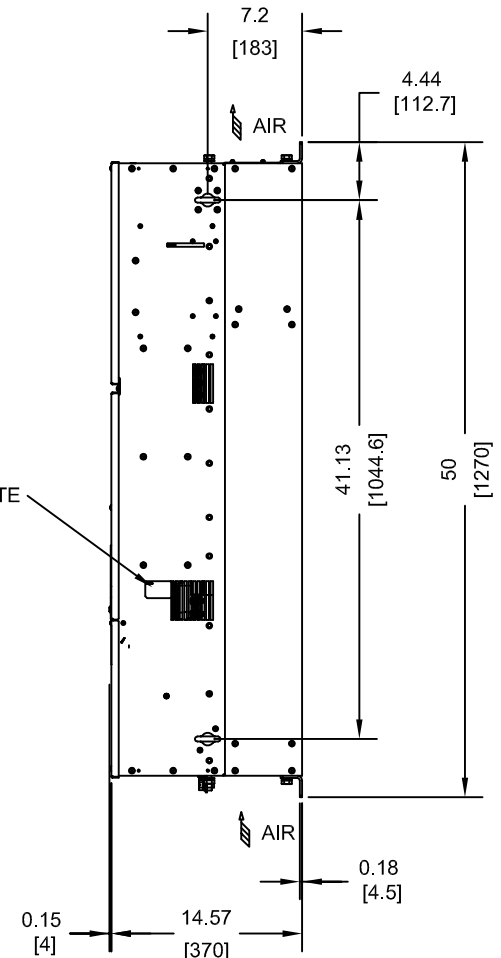


(6)-MOUNTING HOLES FOR 1/2" [M12] SCREWS

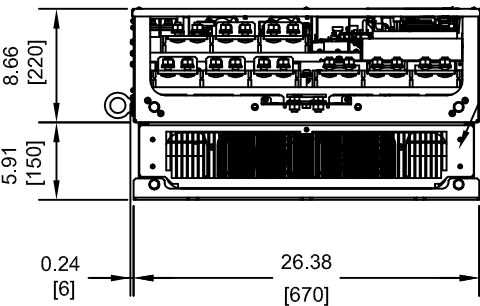


NAMEPLATE

DIGITAL OPERATOR



OPTIONAL CAPACITOR COVER
WHEN USING AN EXTERNAL MOUNT HEATSINK, UL COMPLIANCE REQUIRES COVERING EXPOSED CAPACITORS IN THE MAIN CIRCUIT TO PREVENT INJURY. CONSULT MANUAL FOR DETAILS.



MODEL # CIMR-AU	INPUT TYPE	VOLTAGE 3-PHASE (VAC)	OUTPUT CURRENT (A)		WEIGHT LBS (Kg)	HEAT LOSS (W)					
			ND	HD		ND (Fc=2kHz)			HD (Fc=2kHz)		
			INT	EXT		INT	EXT	TOT	INT	EXT	TOT
4T0515AXX	12 PULSE	380/480	515	450	449 (204)	1474	4850	6324	1234	3972	5206
4T0675AXX	12 PULSE		675	605	460 (209)	1789	4861	6650	1504	4191	5695

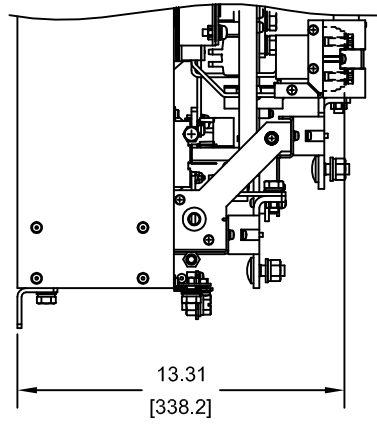
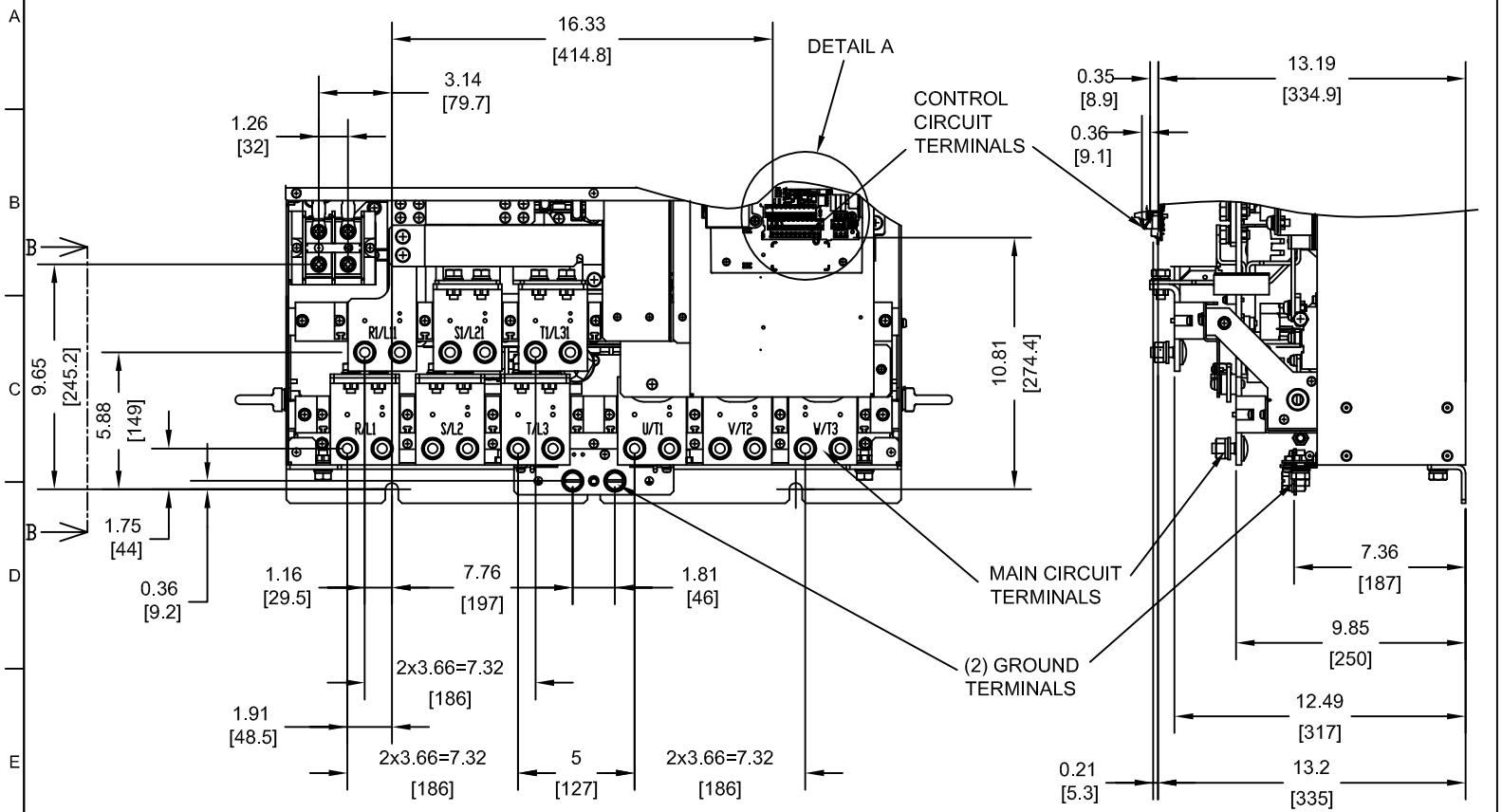
NOTES:
XX DENOTES AA-ZZ

INT=INTERNAL COMPONENTS
EXT=EXTERNAL HEATSINK
TOT=TOTAL

FOR ADDITIONAL DETAILS AND SPECIFICATIONS, CONSULT MANUAL

TOLERANCES / REFERENCES:			DRAWN: J. MATTAS	DATE: 6-26-14	TITLE: A1000 DIMENSION DRAWING	
UNITS: IN [mm]	SCALE: 1:15		CHECKED: J. PIOTROWSKI	DATE: 7-1-14	FRAME SIZE 14B	
		TECH: J. BORJA		DATE: 7-2-14	IP00 ENCLOSURE	
		APPROVED: J. CAIRO		DATE: 8-12-14	SIZE: A	REVISION: R01
		ORIGINAL DESIGN: -		DATE: -	PAGE: 1 of 3	
				DRAWING #: DD.A1K.FR14B.IP00		

TERMINAL AND WIRING DETAILS (SCALE 1:8)

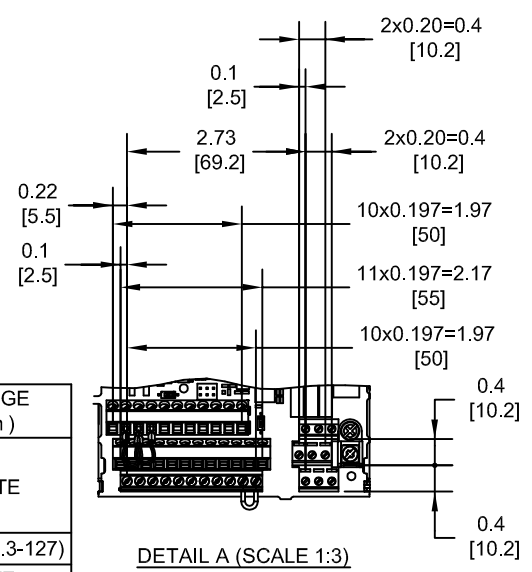


SECTION B-B

TERMINAL AND WIRE SPECIFICATIONS FOR MAIN CIRCUIT AND GROUND

MODEL # CIMR-AU	TERMINAL SYMBOL	TERMINAL SCREW	CLAMPING TORQUE lb.in.(N.m.)	WIRE RANGE AWG(mm)
4T0515A 4T0675A	R/L1, S/L2, T/L3	M12	283.2 TO 354.0 (32 TO 40)	SEE NOTE
	R1/L11, S1/L21, T1/L31			
	U/T1, V/T2, W/T3			
	⊖, ⊕3	M8	119.5 TO 132.8 (13.5 TO 15)	6-250kcmil (13.3-127)
	⊕	M12	283.2 TO 354.0 (32 TO 40)	SEE NOTE

NOTE: REFER TO APPLICABLE CODES FOR PROPER WIRE TYPE AND SIZE



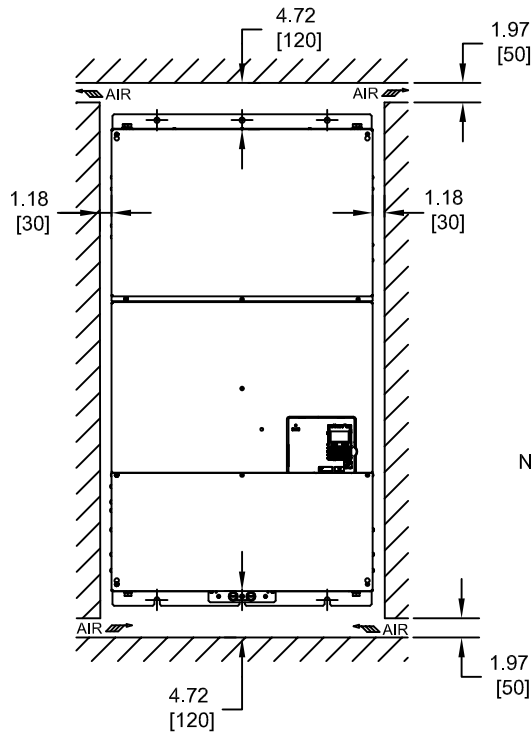
DETAIL A (SCALE 1:3)

FOR ADDITIONAL DETAILS AND SPECIFICATIONS, CONSULT MANUAL

TOLERANCES / REFERENCES:			DRAWN: J. MATTAS	DATE: 6-26-14	TITLE: A1000 DIMENSION DRAWING FRAME SIZE 14B IP00 ENCLOSURE 4T0515A AND 4T0675A	
			CHECKED: J. PIOTROWSKI	DATE: 7-1-14		
		TECH: J. BORJA		DATE: 7-2-14		
		APPROVED: J. CAIRO		DATE: 8-12-14		
UNITS: IN [mm]	SCALE: BY VIEW	ORIGINAL DESIGN: -		DATE: -	SIZE: A	REVISION: R01
					PAGE: 2 of 3	
DRAWING #: DD.A1K.FR14B.IP00						

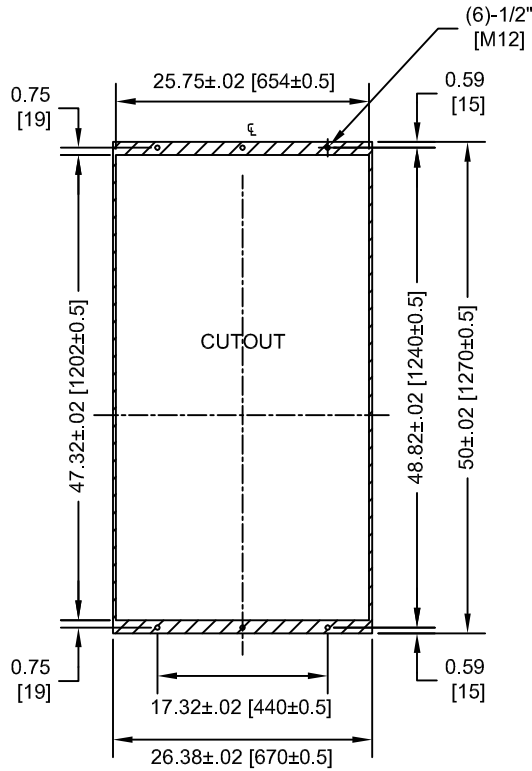
THIS DOCUMENT AND INFORMATION CONTAINED IN IT ARE CONFIDENTIAL, AND CANNOT BE COPIED OR DISCLOSED IN WHOLE OR IN PART WITHOUT THE EXPRESS WRITTEN CONSENT OF YASKAWA AMERICA, INC.

MINIMUM INSTALLATION CLEARANCES (SCALE 1:20)



NOTE:
FOR SIDE-BY-SIDE MOUNTING
CONSULT MANUAL

PANEL CUTOUT FOR EXTERNAL HEATSINK
MOUNTING CONFIGURATION (SCALE 1:20)



NOTE:
EXPOSED HEATSINK DEPTH
D=5.91" MINUS PANEL THICKNESS

FOR ADDITIONAL DETAILS AND SPECIFICATIONS, CONSULT MANUAL

TOLERANCES / REFERENCES:			DRAWN: J. MATTAS	DATE 6-26-14	TITLE: A1000 DIMENSION DRAWING	
			CHECKED: J. PIOTROWSKI	DATE 7-1-14	FRAME SIZE 14B	
		<i>THIS DOCUMENT AND INFORMATION CONTAINED IN IT ARE CONFIDENTIAL, AND CANNOT BE COPIED OR DISCLOSED IN WHOLE OR IN PART WITHOUT THE EXPRESS WRITTEN CONSENT OF YASKAWA AMERICA, INC.</i>		TECH: J. BORJA	DATE 7-2-14	IP00 ENCLOSURE
		APPROVED: J. CAIRO	DATE 8-12-14	DATE 8-12-14	DATE	4T0515A AND 4T0675A
UNITS: IN [mm]	SCALE: BY VIEW	ORIGINAL DESIGN:	-	DATE	-	
				SIZE A	REVISION R01	PAGE 3 of 3
				DRAWING # DD.A1K.FR14B.IP00		