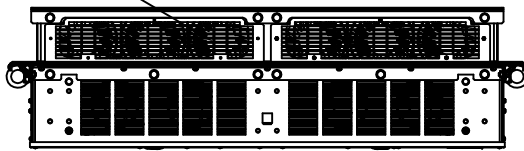
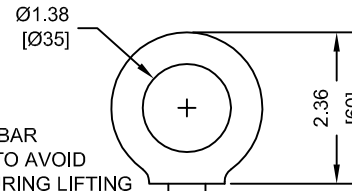


(6) EXTERNAL COOLING FANS

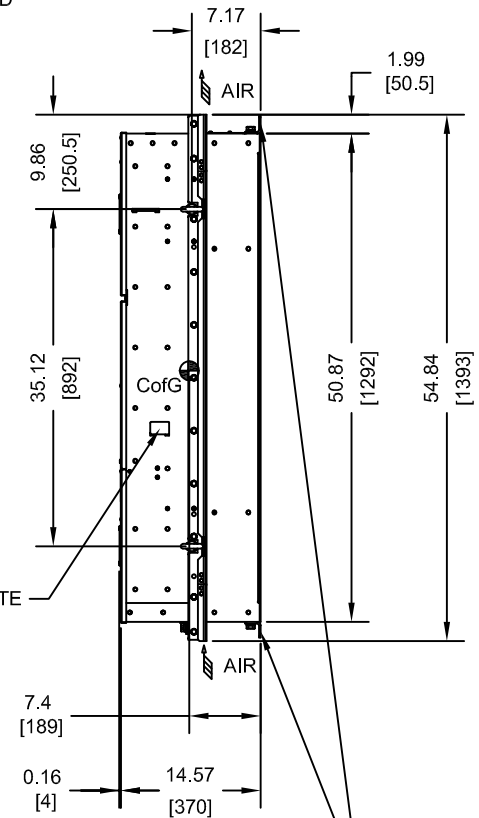
LIFTING AND EYEBOLT DETAILS



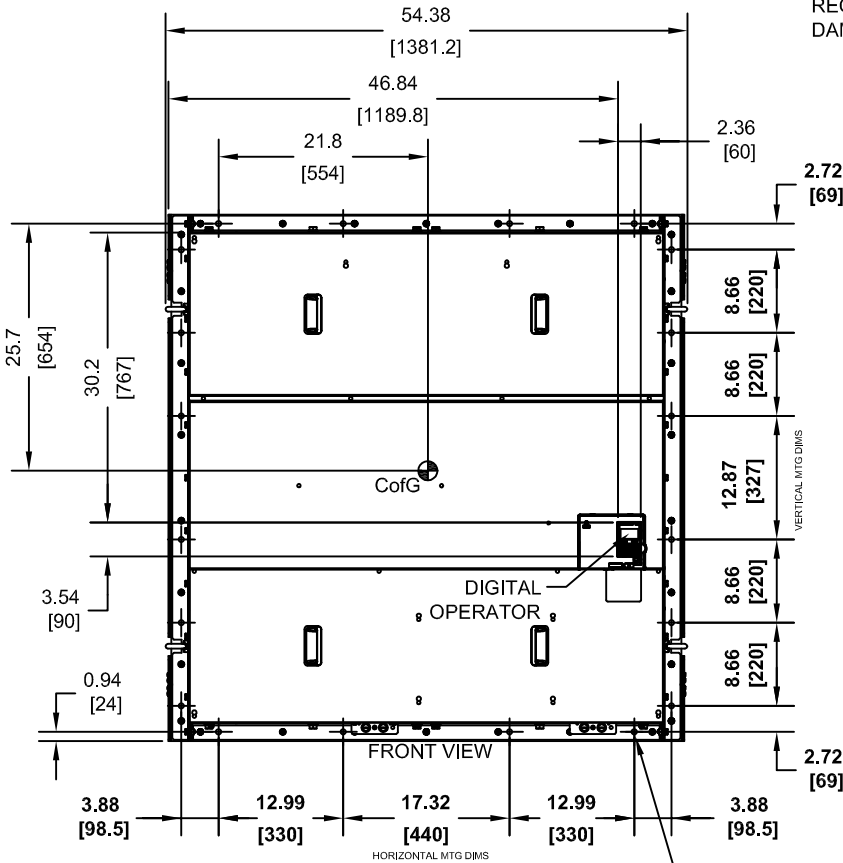
NOTE:
SPREADER BAR
REQUIRED TO AVOID
DAMAGE DURING LIFTING



M16 THREAD



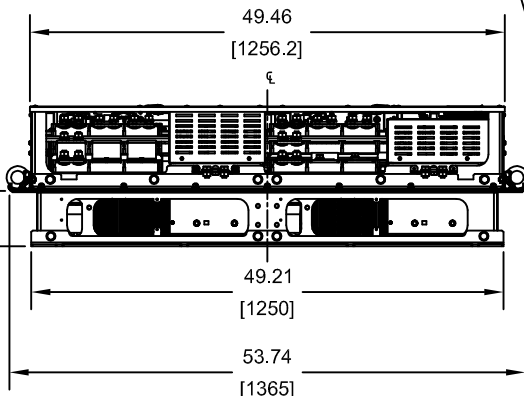
(2)-MOUNTING BRACKETS
USED DURING TRANSPORT ONLY
REMOVE BEFORE INSTALLING



HORIZONTAL MTG DIMS

VERTICAL MTG DIMS

(20)-MOUNTING HOLES
FOR 1/2" [M12] SCREWS



MODEL #	CIMR-AU	INPUT TYPE	VOLTAGE THREE-PHASE (VAC)	OUTPUT CURRENT (A)		WEIGHT LBS (Kg)	HEAT LOSS (W)					
				ND	HD		ND (Fc=2kHz)			HD (Fc=2kHz)		
							INT	EXT	TOT	INT	EXT	TOT
4A0930UXX	6 PULSE	380/480	930	810	1265 (575)	2952	8476	11428	2455	6912	9367	
4A1200UXX	6 PULSE		1200	1090	1291 (587)	3612	8572	12184	3155	7626	10781	

NOTES:
XX DENOTES AA-ZZ

INT=INTERNAL COMPONENTS
EXT=EXTERNAL HEATSINK
TOT=TOTAL

FOR ADDITIONAL DETAILS AND SPECIFICATIONS, CONSULT MANUAL

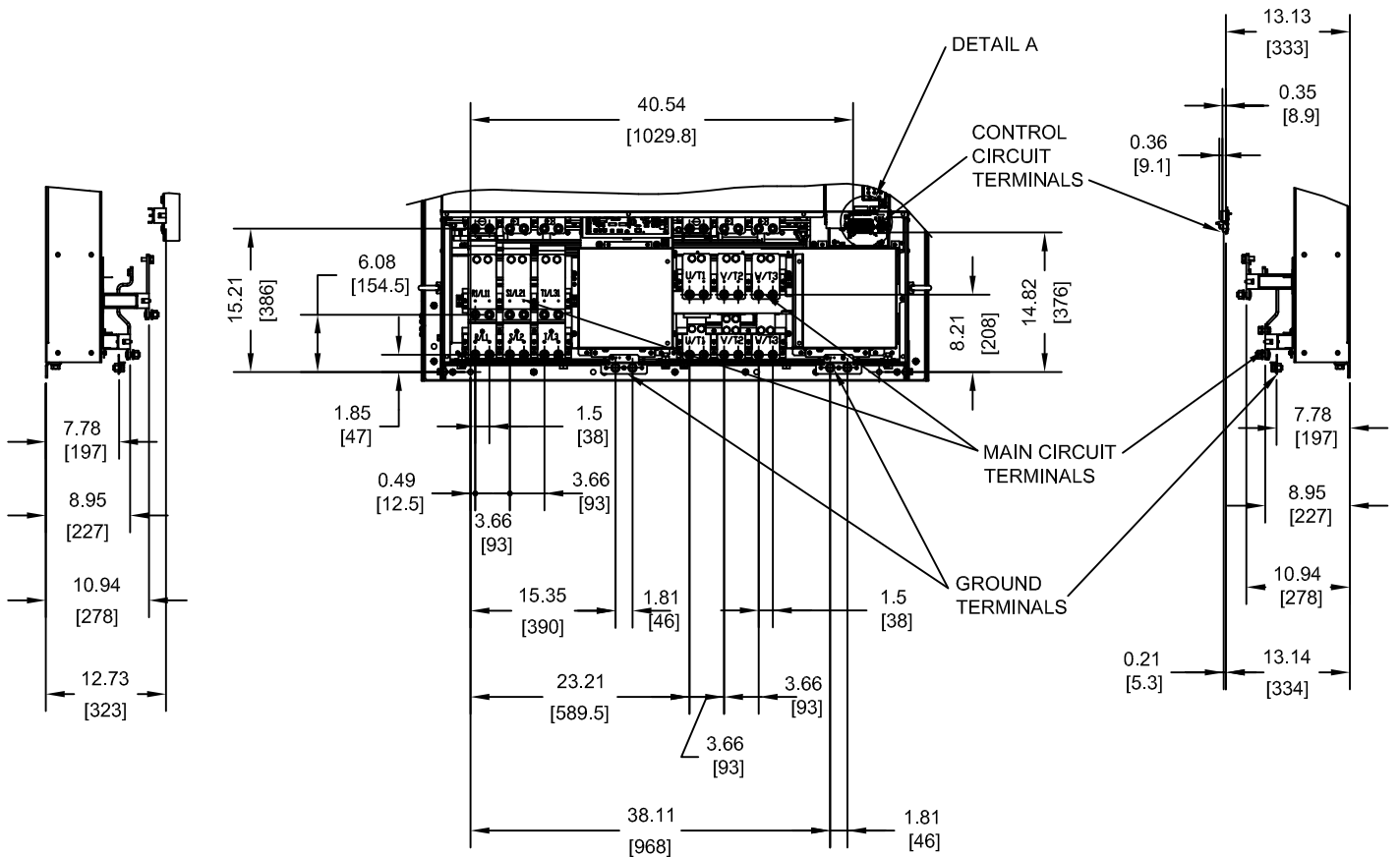
TOLERANCES / REFERENCES:



THIS DOCUMENT AND INFORMATION CONTAINED IN IT ARE CONFIDENTIAL, AND CANNOT BE COPIED OR DISCLOSED IN WHOLE OR IN PART WITHOUT THE EXPRESS WRITTEN CONSENT OF YASKAWA AMERICA, INC.

DRAWN: J. MATTAS	DATE 3-26-12	TITLE: A1000 DIMENSION DRAWING
CHECKED: J. PIOTROWSKI	DATE 4-10-12	FRAME SIZE 15
TECH: J. BORJA	DATE 4-9-12	DESIGNED FOR IP54/TYPE 12 ENCLOSURES
APPROVED: J. CAIRO	DATE 6-29-12	4A0930U AND 4A1200U
ORIGINAL DESIGN: -	DATE -	SIZE: A
		REVISION: R01
		PAGE: 1 of 3
DRAWING #: DD.A1K.FR15.FLNG		

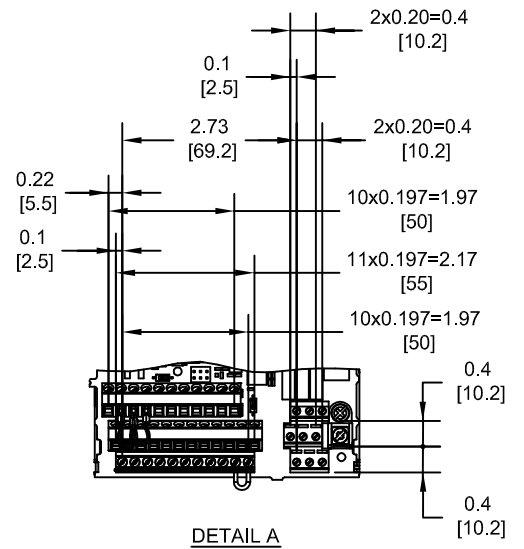
TERMINAL AND WIRING DETAILS (SCALE 1:20)



TERMINAL AND WIRE SPECIFICATIONS FOR MAIN CIRCUIT AND GROUND

MODEL # CIMR-AU	TERMINAL SYMBOL	TERMINAL SCREW	CLAMPING TORQUE lb.in.(N.m.)
4A0930U 4A1200U	R/L1, S/L2, T/L3	M12	283.2 TO 354.0 (32 TO 40)
	U/T1, V/T2, W/T3		
	⊖, ⊕1	M12	283.2 TO 354.0 (32 TO 40)
	⊕3		
	⊕	M12	283.2 TO 354.0 (32 TO 40)

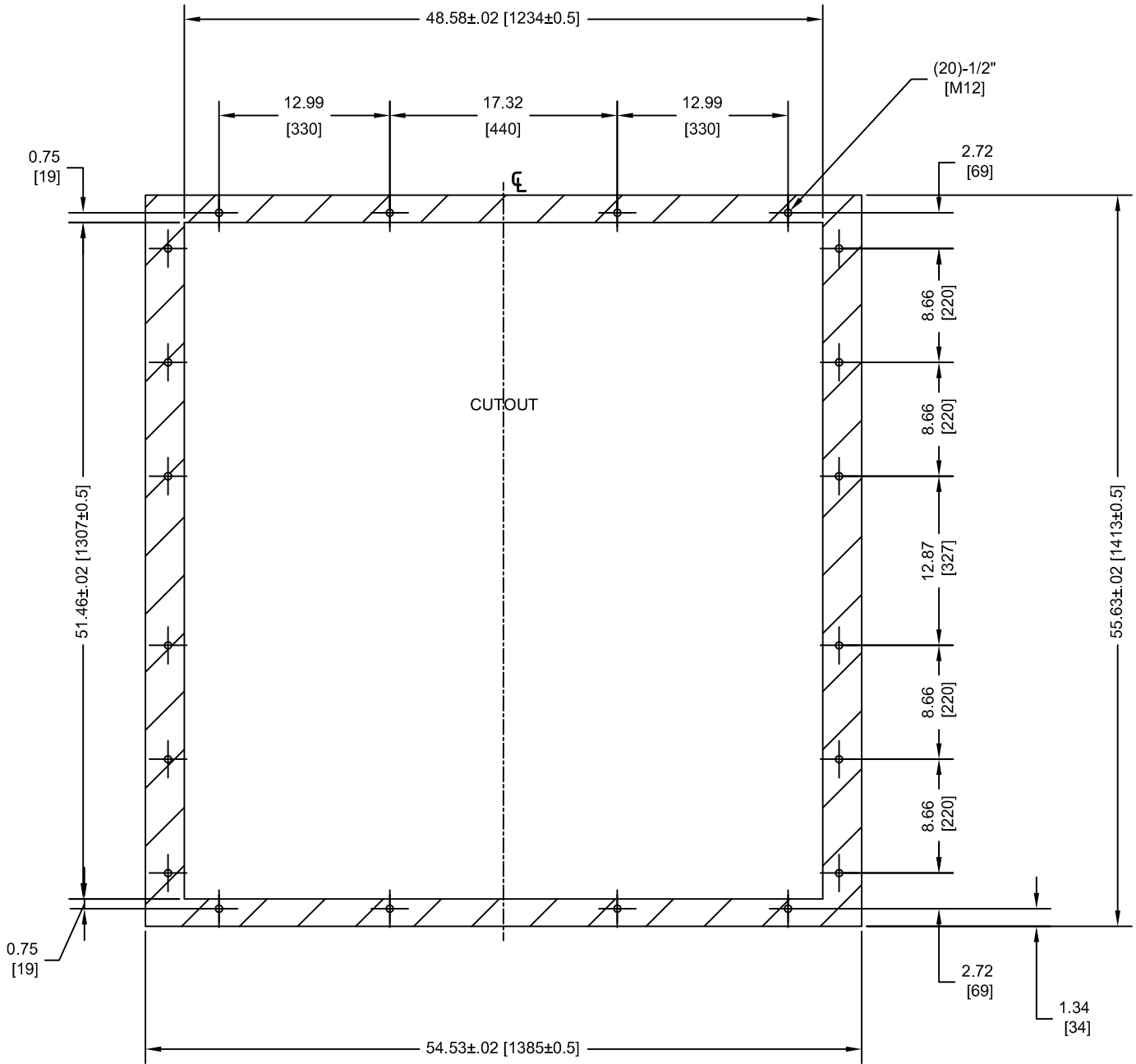
NOTE: REFER TO APPLICABLE CODES FOR PROPER WIRE TYPE AND SIZE



FOR ADDITIONAL DETAILS AND SPECIFICATIONS, CONSULT MANUAL

TOLERANCES / REFERENCES:		DRAWN: J. MATTAS DATE: 3-26-12	TITLE: A1000 DIMENSION DRAWING FRAME SIZE 15 DESIGNED FOR IP54/TYPE 12 ENCLOSURES 4A0930U AND 4A1200U			
		CHECKED: J. PIOTROWSKI DATE: 4-10-12	TECH: J. BORJA DATE: 4-9-12	APPROVED: J. CAIRO DATE: 6-29-12	SIZE: A	REVISION: R01
UNITS: IN [mm]	SCALE: BY VIEW	THIS DOCUMENT AND INFORMATION CONTAINED IN IT ARE CONFIDENTIAL, AND CANNOT BE COPIED OR DISCLOSED IN WHOLE OR IN PART WITHOUT THE EXPRESS WRITTEN CONSENT OF YASKAWA AMERICA, INC.		ORIGINAL DESIGN: -	DATE: -	DRAWING #: DD.A1K.FR15.FLNG


PANEL CUTOUT FOR EXTERNAL HEATSINK
MOUNTING CONFIGURATION (SCALE 1:12)



NOTES:

1. EXPOSED HEATSINK DEPTH
D=5.75" MINUS PANEL THICKNESS
2. MIN. RECOMMENDED PANEL
THICKNESS: 10 GA

FOR ADDITIONAL DETAILS AND SPECIFICATIONS, CONSULT MANUAL

TOLERANCES / REFERENCES:		 <p>THIS DOCUMENT AND INFORMATION CONTAINED IN IT ARE CONFIDENTIAL, AND CANNOT BE COPIED OR DISCLOSED IN WHOLE OR IN PART WITHOUT THE EXPRESS WRITTEN CONSENT OF YASKAWA AMERICA, INC.</p>	DRAWN: J. MATTAS DATE: 3-26-12	TITLE: A1000 DIMENSION DRAWING FRAME SIZE 15 DESIGNED FOR IP54/TYPE 12 ENCLOSURES 4A0930U AND 4A1200U		
			CHECKED: J. PIOTROWSKI DATE: 4-10-12	DATE: 4-9-12	SIZE: A	REVISION: R01
UNITS: IN [mm]		SCALE: BY VIEW		APPROVED: J. CAIRO DATE: 6-29-12	DRAWING #: DD.A1K.FR15.FLNG	
		ORIGINAL DESIGN: -		DATE: -		