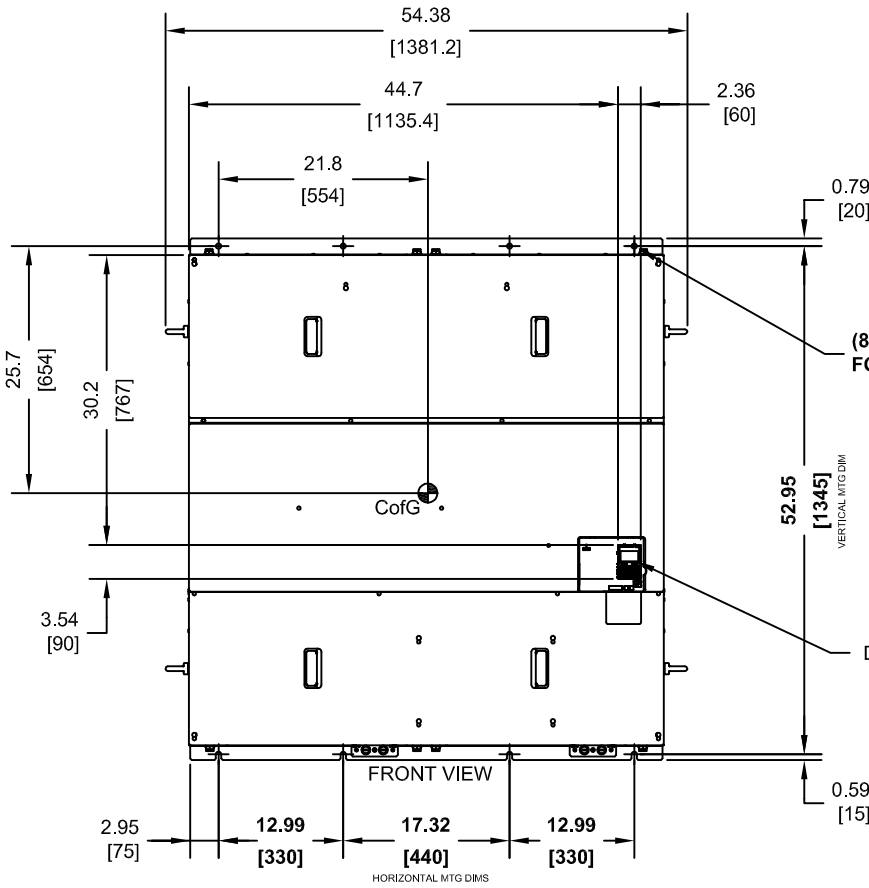
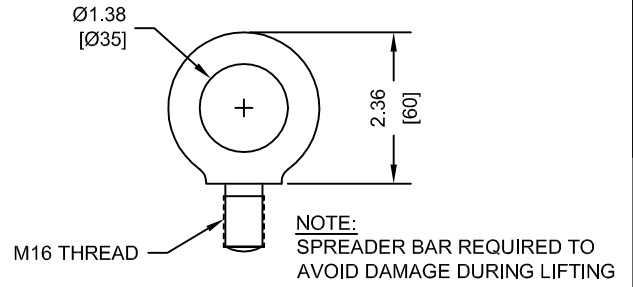


(6) EXTERNAL COOLING FANS

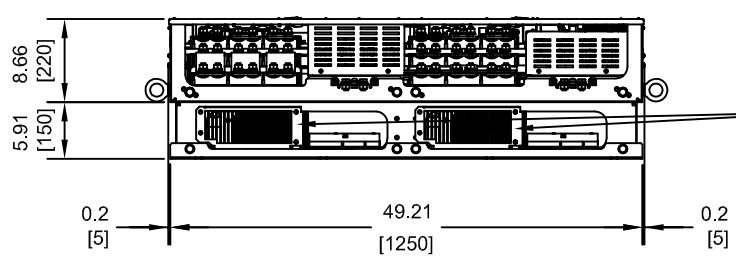
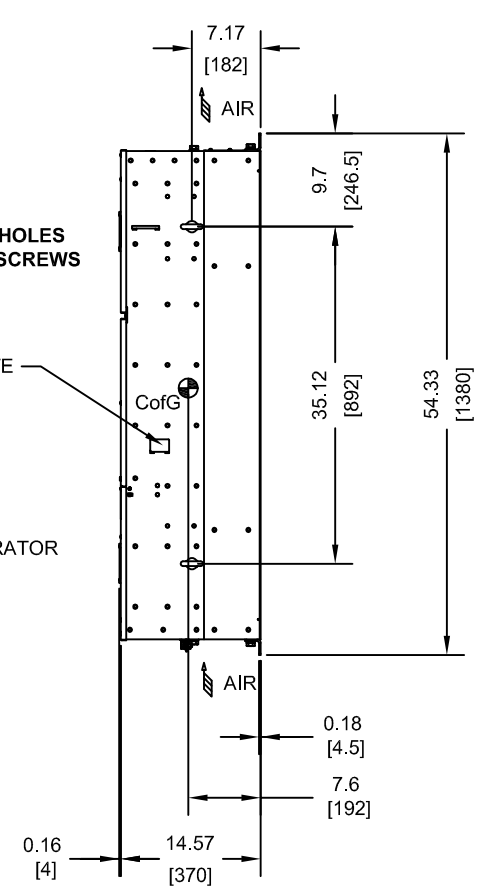
LIFTING AND EYEBOLT DETAILS



(8)-MOUNTING HOLES FOR 1/2" [M12] SCREWS

NAMEPLATE

DIGITAL OPERATOR



OPTIONAL CAPACITOR COVERS  
WHEN USING AN EXTERNAL MOUNT HEATSINK, UL COMPLIANCE REQUIRES COVERING EXPOSED CAPACITORS IN THE MAIN CIRCUIT TO PREVENT INJURY. CONSULT MANUAL FOR DETAILS.

| MODEL #<br>CIMR-AU | VOLTAGE<br>THREE-PHASE<br>(VAC) | OUTPUT<br>CURRENT (A) |      | WEIGHT<br>LBS (Kg) | HEAT LOSS (W) |      |       |              |      |       |
|--------------------|---------------------------------|-----------------------|------|--------------------|---------------|------|-------|--------------|------|-------|
|                    |                                 |                       |      |                    | ND (Fc=2kHz)  |      |       | HD (Fc=2kHz) |      |       |
|                    |                                 | ND                    | HD   |                    | INT           | EXT  | TOT   | INT          | EXT  | TOT   |
| 4A0930AXX          | 380/480                         | 930                   | 810  | 1195 (543)         | 2952          | 8476 | 11428 | 2455         | 6912 | 9367  |
| 4A1200AXX          |                                 | 1200                  | 1090 | 1221 (555)         | 3612          | 8572 | 12184 | 3155         | 7626 | 10781 |

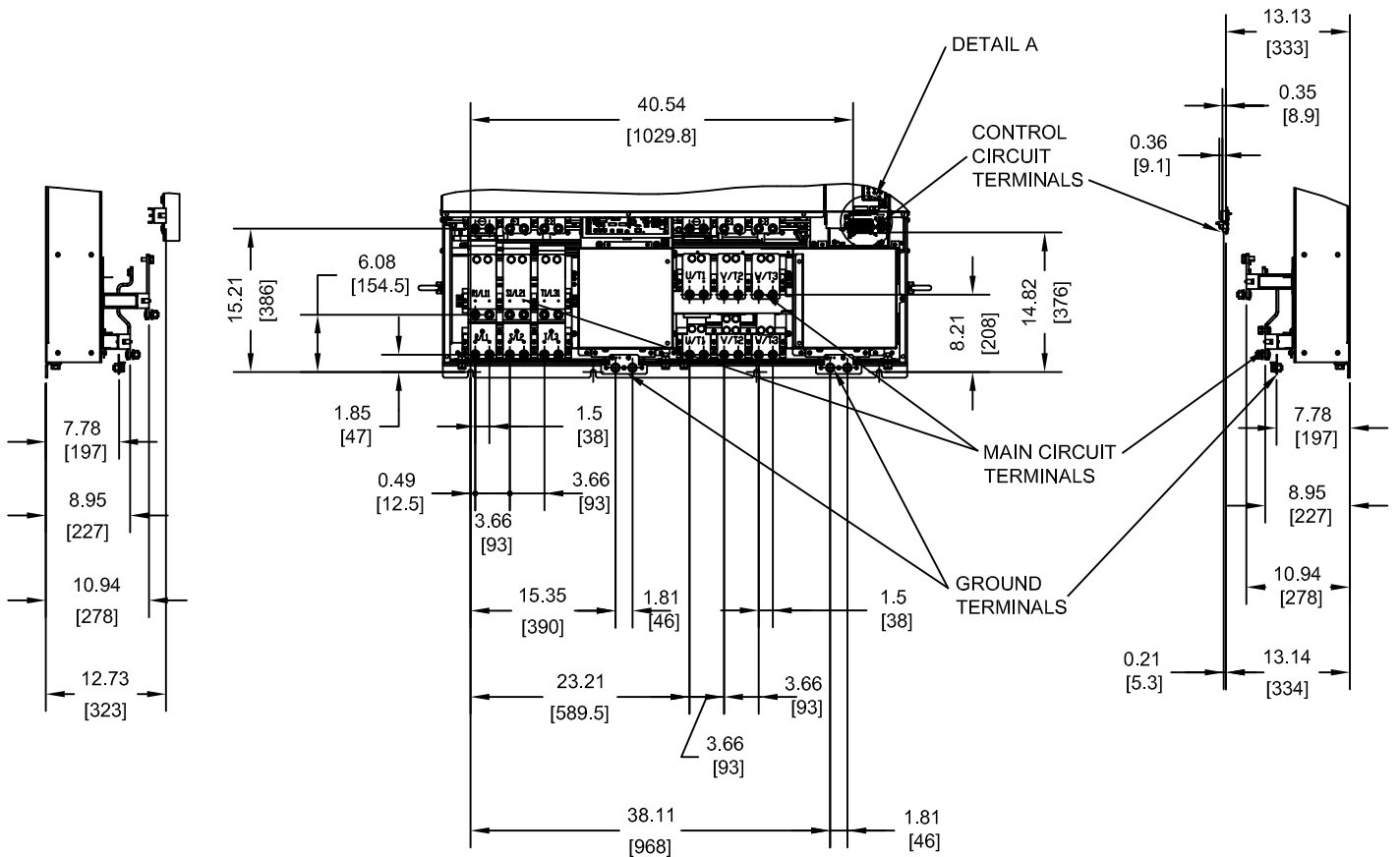
NOTES:  
XX DENOTES AA-ZZ

INT=INTERNAL COMPONENTS  
EXT=EXTERNAL HEATSINK  
TOT=TOTAL

FOR ADDITIONAL DETAILS AND SPECIFICATIONS, CONSULT MANUAL

|                          |        |  |               |       |          |                         |   |           |     |       |        |
|--------------------------|--------|--|---------------|-------|----------|-------------------------|---|-----------|-----|-------|--------|
| TOLERANCES / REFERENCES: |        | DRAWN:   | J. MATTAS     | DATE: | 10-14-10 | TITLE:                  |   |           |     |       |        |
|                          |        | CHECKED:   | J. PIOTROWSKI | DATE: | 12-14-10 | A1000 DIMENSION DRAWING |   |           |     |       |        |
|                          |        | TECH:  | J. CAIRO      | DATE: | 12-19-10 | FRAME SIZE 15           |   |           |     |       |        |
|                          |        | APPROVED:  | T. SASADA     | DATE: | 12-21-10 | IP00 ENCLOSURE          |   |           |     |       |        |
| UNITS:                   | SCALE: | ORIGINAL DESIGN:   | -             | DATE: | -        | SIZE:                   | A | REVISION: | R01 | PAGE: | 1 of 3 |
| IN [mm]                  | 1:20   | WITHOUT THE EXPRESS WRITTEN CONSENT OF YASKAWA AMERICA, INC. |               |       |          | DRAWING #:              |   |           |     |       |        |
|                          |        |  |               |       |          | DD.A1K.FR15.IP00        |   |           |     |       |        |

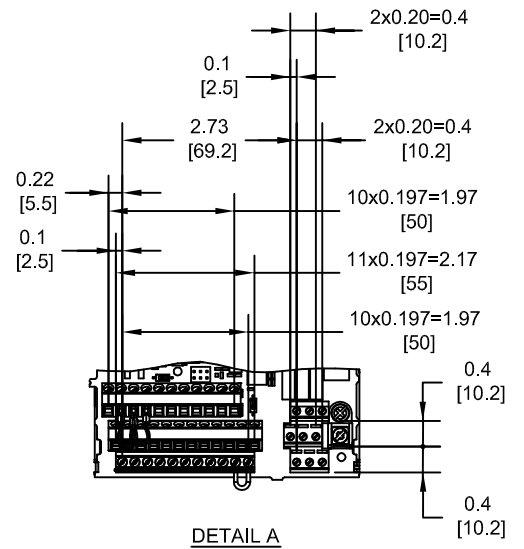
TERMINAL AND WIRING DETAILS (SCALE 1:20)



TERMINAL AND WIRE SPECIFICATIONS FOR MAIN CIRCUIT AND GROUND

| MODEL #<br>CIMR-AU | TERMINAL SYMBOL  | TERMINAL SCREW | CLAMPING TORQUE<br>lb.in.(N.m.) |
|--------------------|------------------|----------------|---------------------------------|
| 4A0930<br>4A1200   | R/L1, S/L2, T/L3 | M12            | 283.2 TO 354.0 (32 TO 40)       |
|                    | U/T1, V/T2, W/T3 |                |                                 |
|                    | ⊖, ⊕1            |                |                                 |
|                    | ⊕3               | M12            |                                 |
|                    | ⊕                | M12            |                                 |

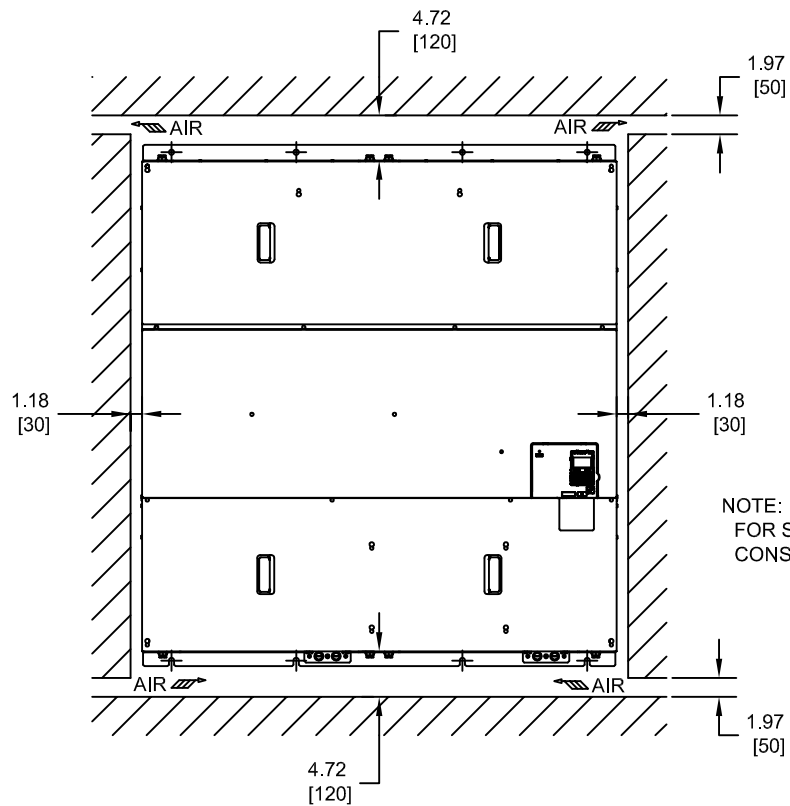
NOTE: REFER TO APPLICABLE CODES FOR PROPER WIRE TYPE AND SIZE



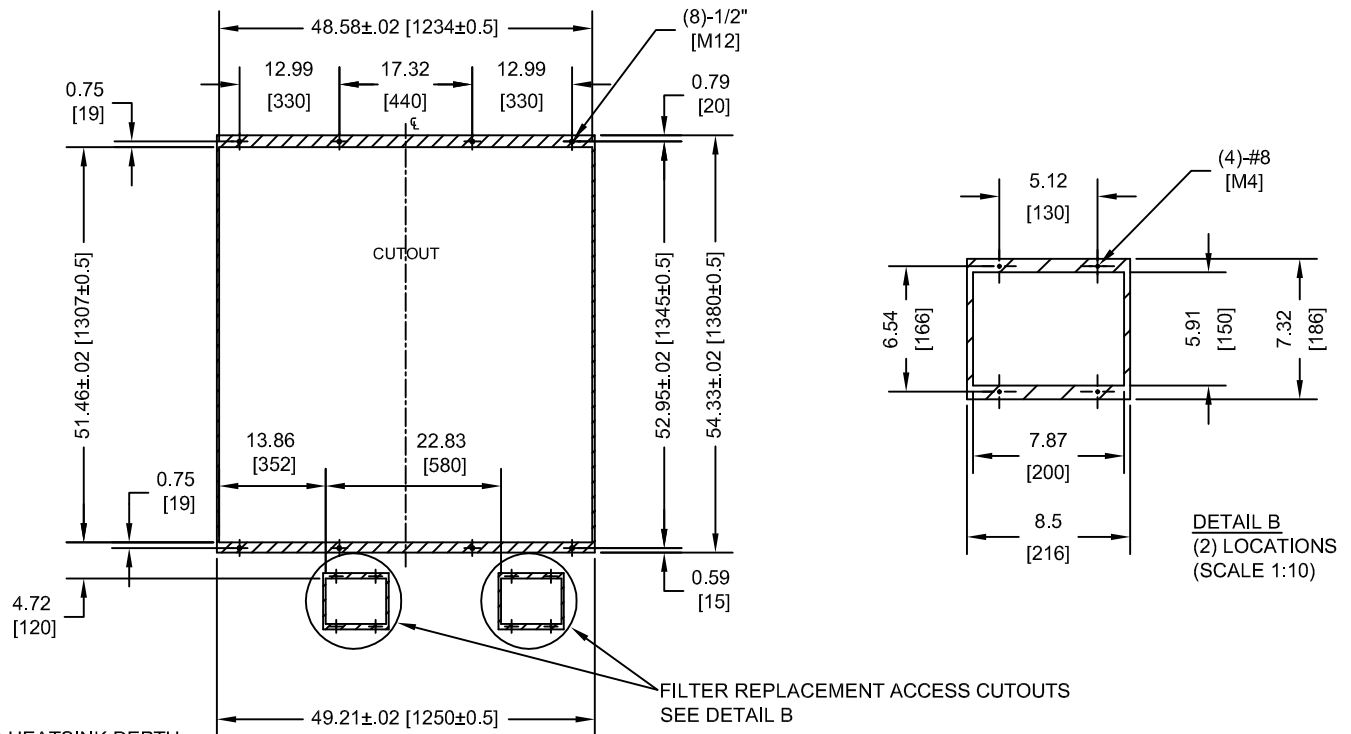
FOR ADDITIONAL DETAILS AND SPECIFICATIONS, CONSULT MANUAL

|                          |                   |  |   |   |                                |                 |
|--------------------------|-------------------|--|---|---|--------------------------------|-----------------|
| TOLERANCES / REFERENCES: |                   |  | DRAWN:<br>J. MATTAS<br>DATE: 10-14-10       | TITLE:<br>A1000 DIMENSION DRAWING<br>FRAME SIZE 15<br>IP00 ENCLOSURE<br>4A0930 AND 4A1200 |                                |                 |
|                          |                   |  | CHECKED:<br>J. PIOTROWSKI<br>DATE: 12-14-10 | TECH:<br>J. CAIRO<br>DATE: 12-19-10   | SIZE<br>A                      | REVISION<br>R01 |
|                          |                   | APPROVED:<br>T. SASADA<br>DATE: 12-21-10   | ORIGINAL DESIGN:<br>-                       | DATE:<br>-  | DRAWING #:<br>DD.A1K.FR15.IP00 |                 |
| UNITS:<br>IN[mm]         | SCALE:<br>BY VIEW | THIS DOCUMENT AND INFORMATION CONTAINED IN IT ARE CONFIDENTIAL, AND CANNOT BE COPIED OR DISCLOSED IN WHOLE OR IN PART WITHOUT THE EXPRESS WRITTEN CONSENT OF YASKAWA AMERICA, INC. |   |   |                                |                 |

MINIMUM INSTALLATION CLEARANCES (SCALE 1:20)



PANEL CUTOUT FOR EXTERNAL HEATSINK MOUNTING CONFIGURATION (SCALE 1:25)



NOTE:  
EXPOSED HEATSINK DEPTH  
D=5.91" MINUS PANEL THICKNESS

FOR ADDITIONAL DETAILS AND SPECIFICATIONS, CONSULT MANUAL

|                          |                   |   |                                       |  |                  |
|--------------------------|-------------------|---|---------------------------------------|--|------------------|
| TOLERANCES / REFERENCES: |                   |   | DRAWN:<br>J. MATTAS<br>10-14-10       | TITLE:<br>A1000 DIMENSION DRAWING                    |                  |
|                          |                   |   | CHECKED:<br>J. PIOTROWSKI<br>12-14-10 | FRAME SIZE 15<br>IP00 ENCLOSURE<br>4A0930 AND 4A1200 |                  |
|                          |                   | TECH:<br>J. CAIRO<br>12-19-10                                   | DATE:<br>12-19-10                     | SIZE:<br>A   | REVISION:<br>R01 |
|                          |                   | APPROVED:<br>T. SASADA<br>12-21-10                              | DATE:<br>12-21-10                     | ORIGINAL DESIGN:<br>-                                | PAGE:<br>3 of 3  |
| UNITS:<br>IN [mm]        | SCALE:<br>BY VIEW | WITHOUT THE EXPRESS WRITTEN CONSENT<br>OF YASKAWA AMERICA, INC. |                                       | DRAWING #:<br>DD.A1K.FR15.IP00                       |                  |