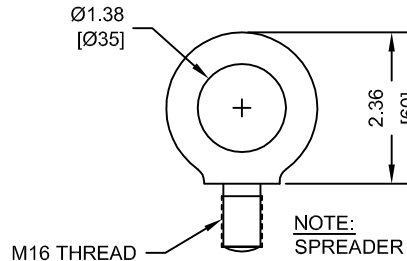
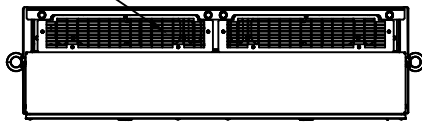
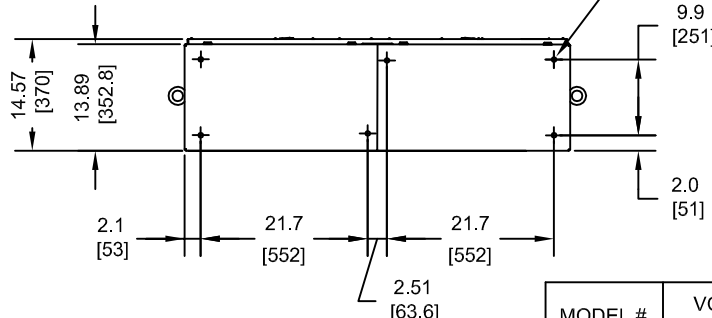
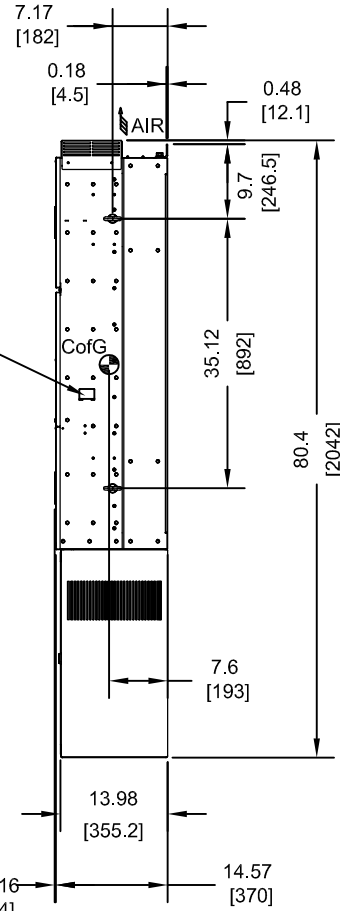
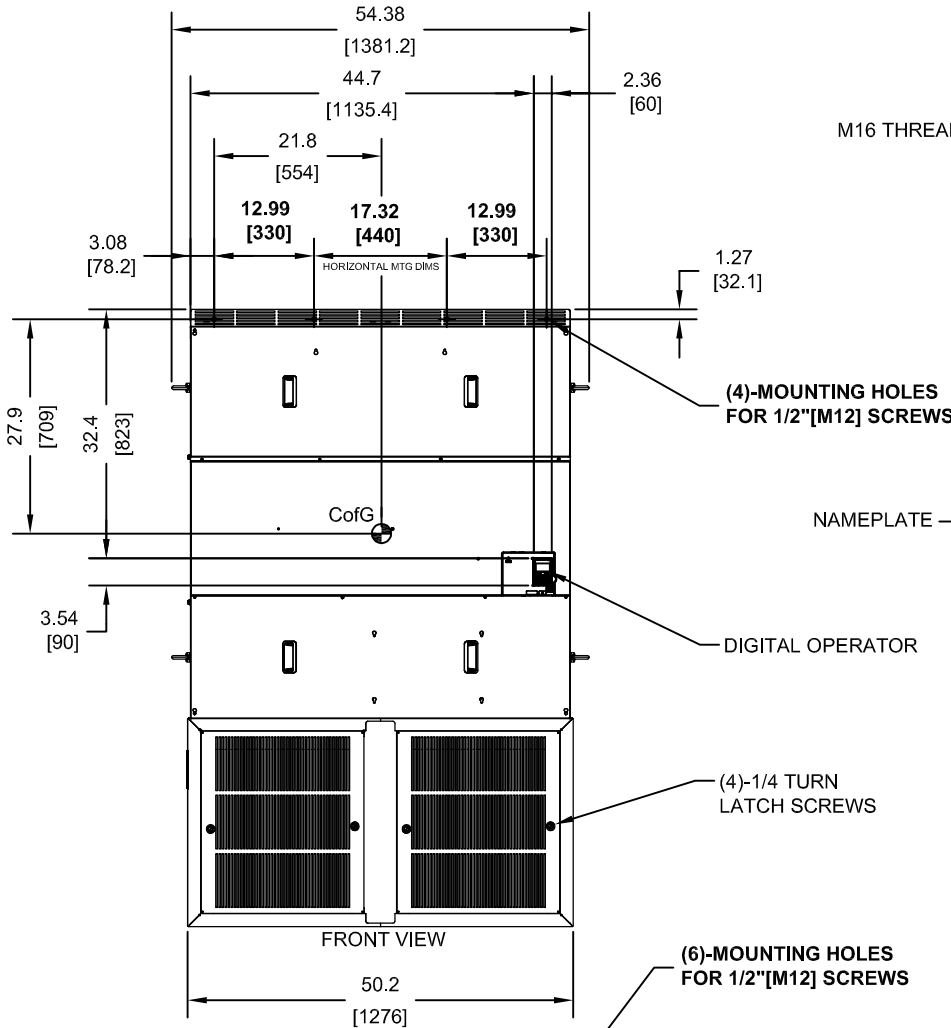


(6) EXTERNAL COOLING FANS

LIFTING AND EYEBOLT DETAILS



NOTE:
SPREADER BAR REQUIRED TO AVOID DAMAGE DURING LIFTING



NOTE:
FOR ALTERNATE CONFIGURATION WITH STANDOFF KIT SEE PAGE 3.

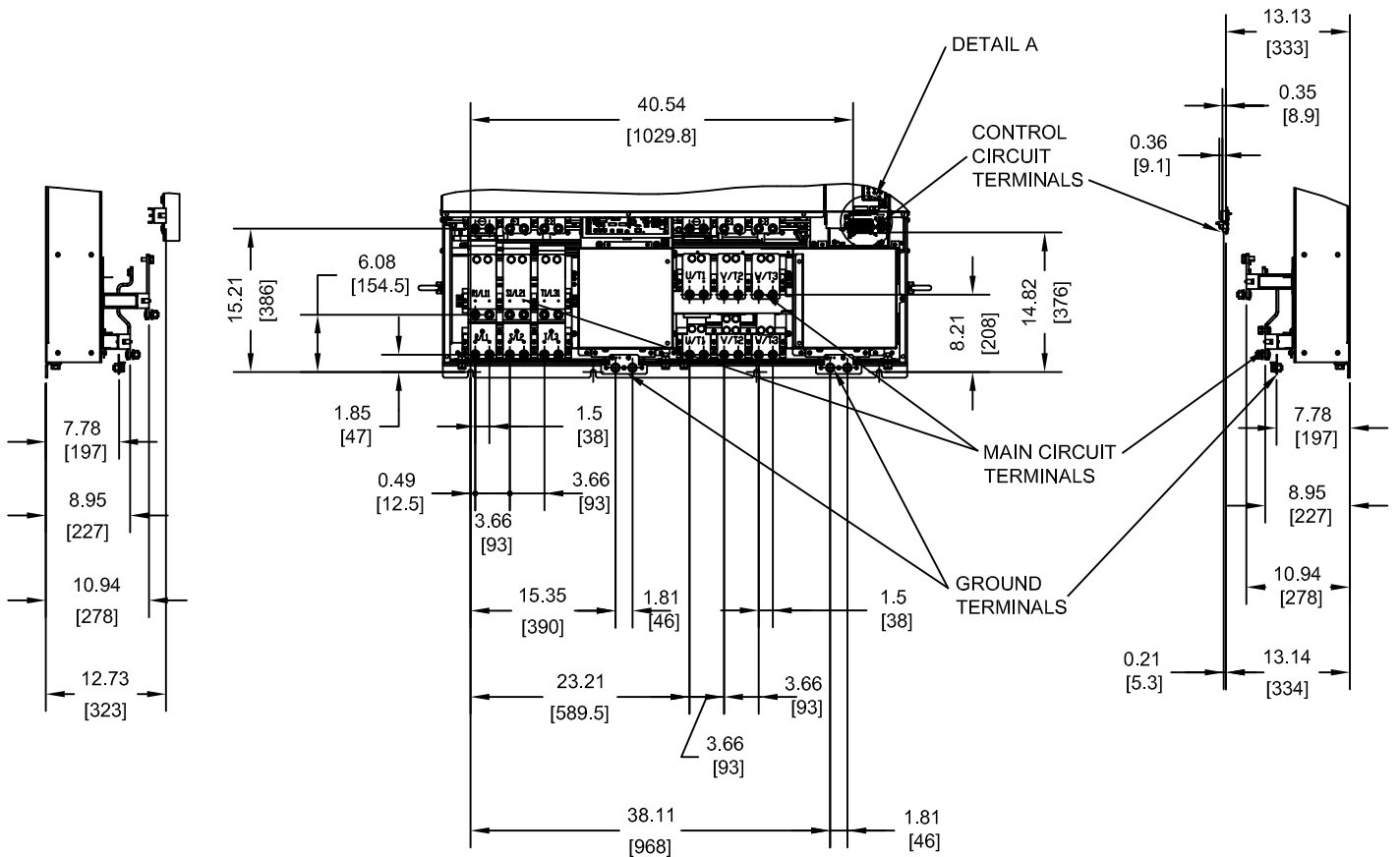
MODEL # CIMR-AU	VOLTAGE THREE-PHASE (VAC)	OUTPUT CURRENT (A)		WEIGHT LBS (Kg)	HEAT LOSS (W)					
					ND (Fc=2kHz)			HD (Fc=2kHz)		
		ND	HD		INT	EXT	TOT	INT	EXT	TOT
4X0930XXX	380/480	930	810	1394 (633)	2952	8476	11428	2455	6912	9367
4X1200XXX		1200	1090	1420 (645)	3612	8572	12184	3155	7626	10781

NOTES:
X DENOTES A-Z
INT=INTERNAL COMPONENTS
EXT=EXTERNAL HEATSINK
TOT=TOTAL

FOR ADDITIONAL DETAILS AND SPECIFICATIONS, CONSULT MANUAL

TOLERANCES / REFERENCES:		DRAWN:	J. MATTAS	DATE:	7-18-11	TITLE:			
		CHECKED:	J. PIOTROWSKI	DATE:	7-25-11	A1000 DIMENSION DRAWING			
UNITS: IN [mm]	SCALE: 1: 25	TECH:	J. SCHULTZ	DATE:	7-26-11	SIZE:	A	REVISION:	R01
		APPROVED:	J. CAIRO	DATE:	11-4-11	PAGE:	1 of 3		
		ORIGINAL DESIGN:	-	DATE:	-	DRAWING #: DD.A1K.FR15.N1			
THIS DOCUMENT AND INFORMATION CONTAINED IN IT ARE CONFIDENTIAL, AND CANNOT BE COPIED OR DISCLOSED IN WHOLE OR IN PART WITHOUT THE EXPRESS WRITTEN CONSENT OF YASKAWA AMERICA, INC.									

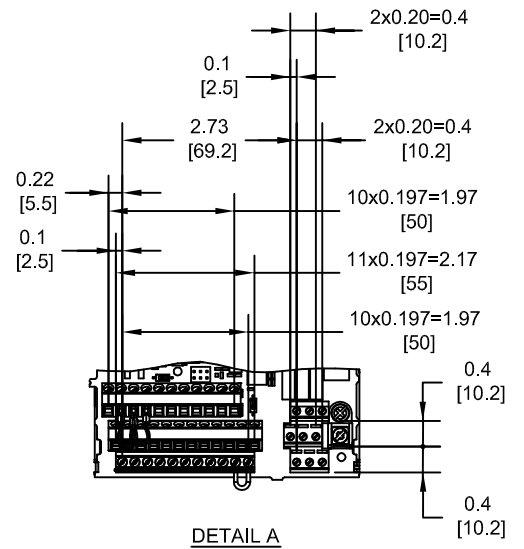
TERMINAL AND WIRING DETAILS (SCALE 1:20)



TERMINAL AND WIRE SPECIFICATIONS FOR MAIN CIRCUIT AND GROUND

MODEL # CIMR-AU	TERMINAL SYMBOL	TERMINAL SCREW	CLAMPING TORQUE lb.in.(N.m.)
4X0930 4X1200	R/L1, S/L2, T/L3	M12	283.2 TO 354.0 (32 TO 40)
	U/T1, V/T2, W/T3		
	⊖, ⊕1	M12	
	⊕3		
	⊕	M12	

NOTE: REFER TO APPLICABLE CODES FOR PROPER WIRE TYPE AND SIZE

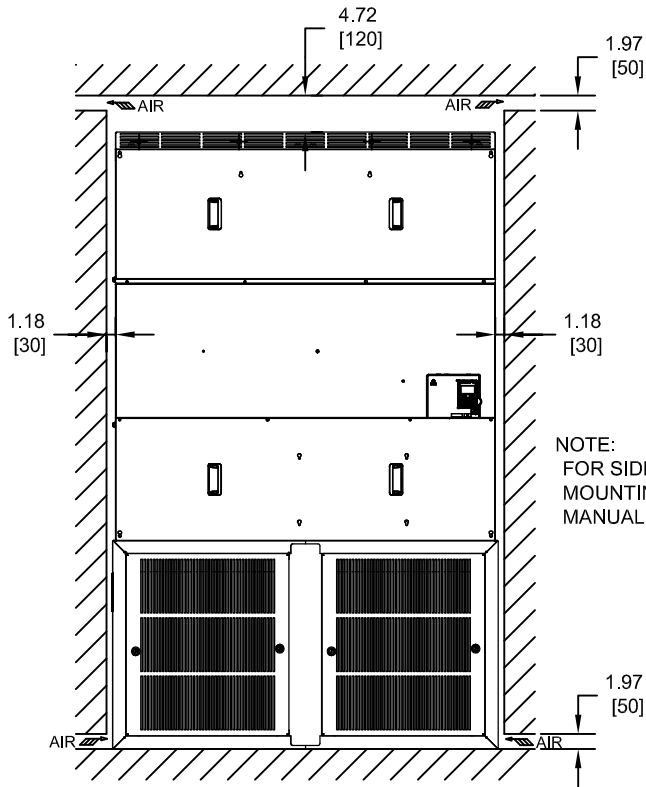


FOR ADDITIONAL DETAILS AND SPECIFICATIONS, CONSULT MANUAL

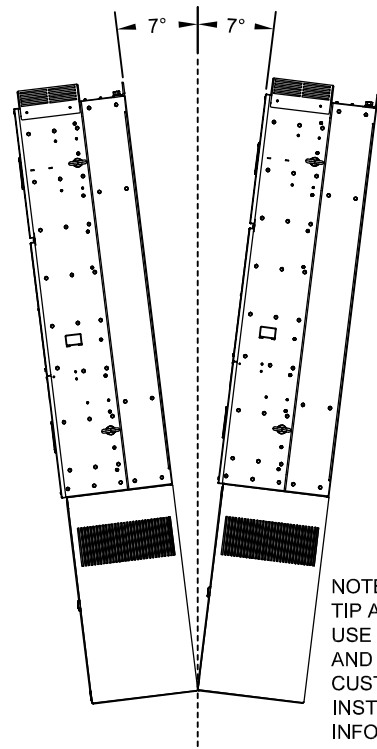
TOLERANCES / REFERENCES:			DRAWN: J. MATTAS DATE: 7-18-11	TITLE: A1000 DIMENSION DRAWING FRAME SIZE 15 NEMA TYPE 1 ENCLOSURE 4X0930 AND 4X1200		
			CHECKED: J. PIOTROWSKI DATE: 7-25-11	TECH: J. SCHULTZ DATE: 7-26-11	SIZE A	REVISION R01
		APPROVED: J. CAIRO DATE: 11-4-11	ORIGINAL DESIGN: -	DATE: -	DRAWING #: DD.A1K.FR15.N1	
UNITS: IN[mm]	SCALE: BY VIEW	THIS DOCUMENT AND INFORMATION CONTAINED IN IT ARE CONFIDENTIAL, AND CANNOT BE COPIED OR DISCLOSED IN WHOLE OR IN PART WITHOUT THE EXPRESS WRITTEN CONSENT OF YASKAWA AMERICA, INC.				

MINIMUM INSTALLATION CLEARANCES (SCALE 1:25)

TIP ANGLE (SCALE 1:25)



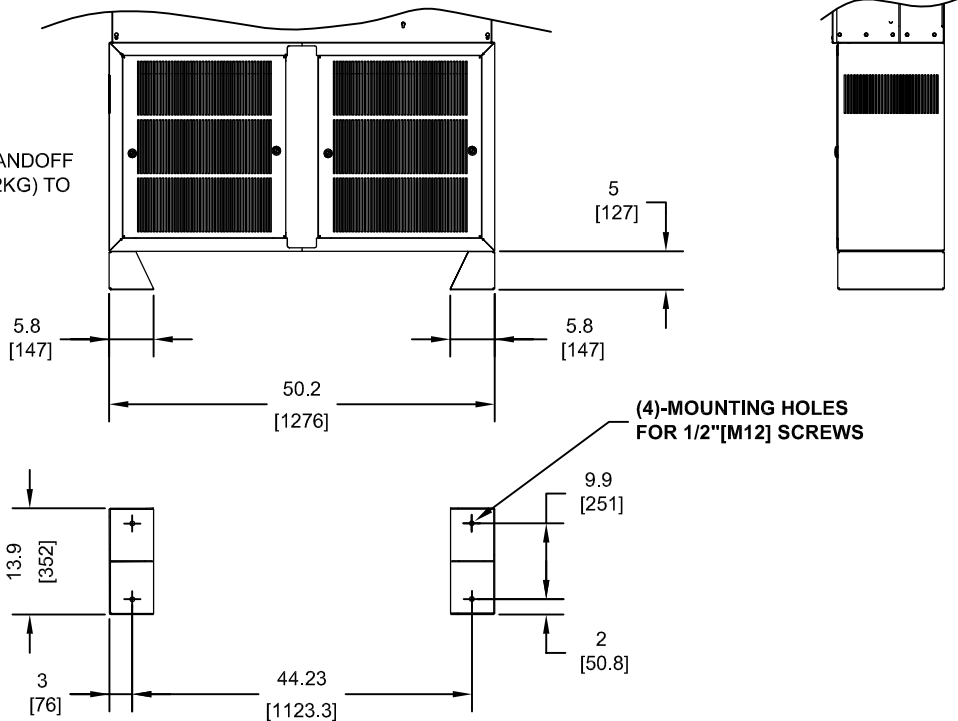
NOTE:
FOR SIDE-BY-SIDE
MOUNTING CONSULT
MANUAL



NOTE:
TIP ANGLE IS 7 DEGREES,
USE CAUTION WHEN MOVING
AND ASSEMBLING. SEE
CUSTOMER ASSEMBLY
INSTRUCTIONS FOR FURTHER
INFORMATION.

ALTERNATE CONFIGURATION
WITH STANDOFF KIT ATTACHED (SCALE 1:25)

NOTE:
FOR OPTIONAL STANDOFF
KIT ADD 18 LBS (8.2KG) TO
TOTAL WEIGHT



FOR ADDITIONAL DETAILS AND SPECIFICATIONS, CONSULT MANUAL

TOLERANCES / REFERENCES:		DRAWN:	J. MATTAS	DATE:	7-18-11	TITLE:		
		CHECKED:	J. PIOTROWSKI	DATE:	7-25-11	A1000 DIMENSION DRAWING		
THIS DOCUMENT AND INFORMATION CONTAINED IN IT ARE CONFIDENTIAL, AND CANNOT BE COPIED OR DISCLOSED IN WHOLE OR IN PART WITHOUT THE EXPRESS WRITTEN CONSENT OF YASKAWA AMERICA, INC.		TECH:	J. SCHULTZ	DATE:	7-26-11	FRAME SIZE 15	REVISION	PAGE
		APPROVED:	J. CAIRO	DATE:	11-4-11	NEMA TYPE 1 ENCLOSURE	R01	3 of 3
UNITS:	SCALE:	ORIGINAL DESIGN:	-	DATE:	-	DRAWING #:		
IN [mm]	BY VIEW					DD.A1K.FR15.N1		