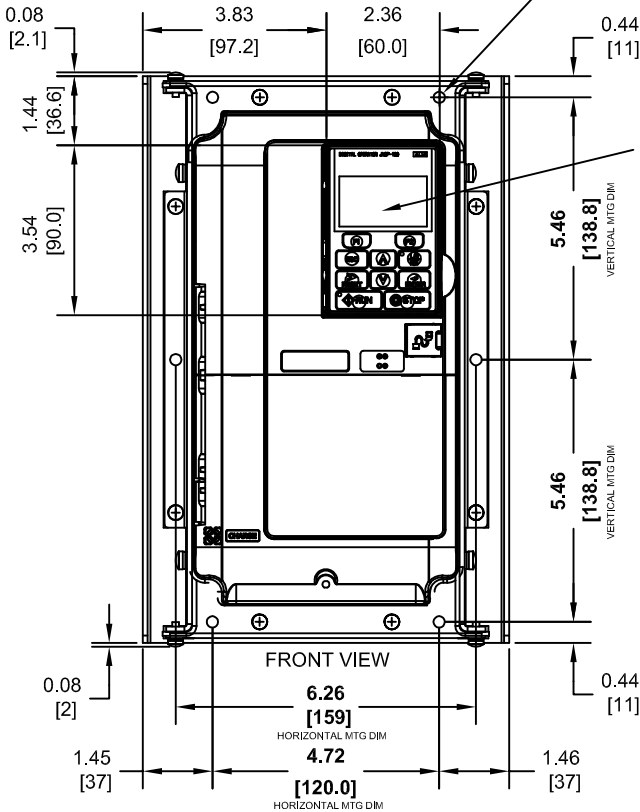
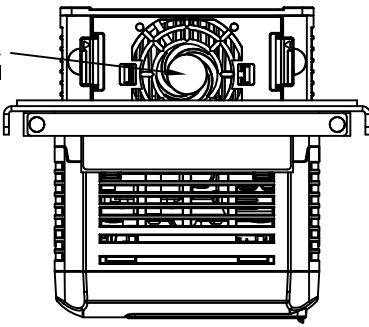


(1) EXTERNAL COOLING FAN

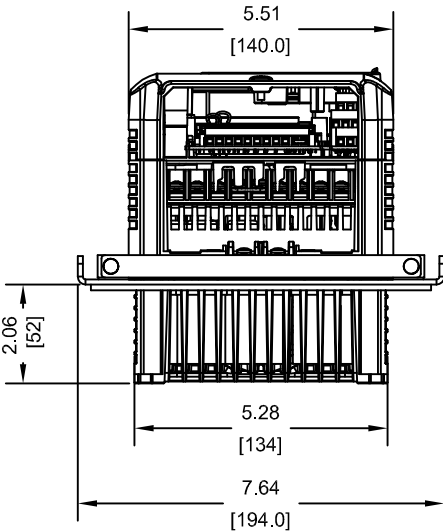
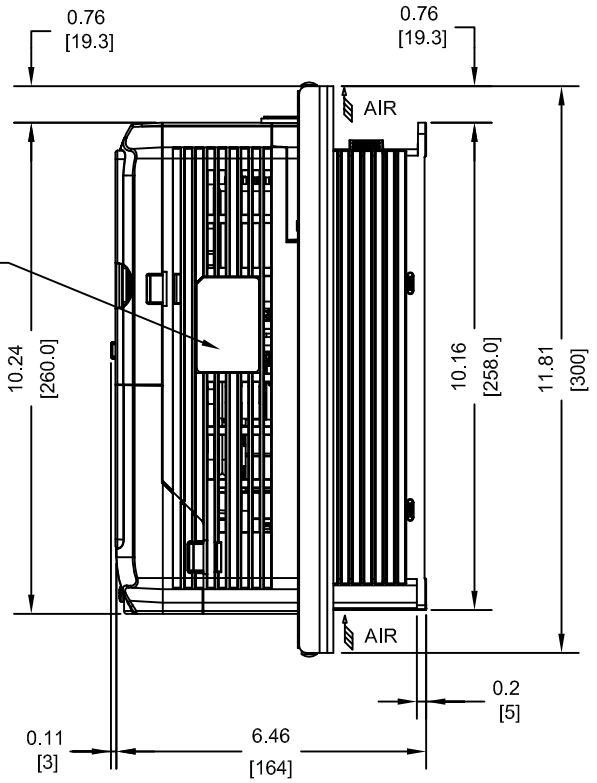
NOTE:
MAXIMUM SURROUNDING AIR TEMPERATURE RATING IS 122F(50C).



(6)-MOUNTING HOLES FOR #10[M5] SCREWS

DIGITAL OPERATOR

NAMEPLATE



MODEL # CIMR-AU	VOLTAGE THREE-PHASE (VAC)	OUTPUT CURRENT (A)		WEIGHT LBS (Kg)	HEAT LOSS (W)					
		ND	HD		ND (Fc=2kHz)			HD (Fc=8kHz)		
					INT	EXT	TOT	INT	EXT	TOT
2A0018UXX	200/240	17.5	14.0	8.1 (3.7)	67.4	100.7	168.1	60.0	77.0	137.0
2A0021UXX		21.0	17.5	8.1 (3.7)	83.3	138.4	221.7	67.4	100.7	168.1
4A0007UXX		380/480	6.9	5.5	7.9 (3.6)	59.0	62.1	121.1	53.0	47.7
4A0009UXX	8.8		7.2	8.1 (3.7)	60.4	65.8	126.2	55.3	53.1	108.4
4A0011UXX	11.1		9.2	8.1 (3.7)	73.0	88.7	161.7	61.0	68.5	129.5
5A0006UXX	500/600	6.1	4.1	8.1 (3.7)	43.7	28.1	71.8	27.0	53.0	80.0
5A0009UXX		9.0	6.3	8.1 (3.7)	68.9	43.4	112.3	36.4	78.7	115.1

NOTE:
XX DENOTES AA-ZZ

INT=INTERNAL COMPONENTS
EXT=EXTERNAL HEATSINK
TOT=TOTAL

FOR ADDITIONAL DETAILS AND SPECIFICATIONS, CONSULT MANUAL

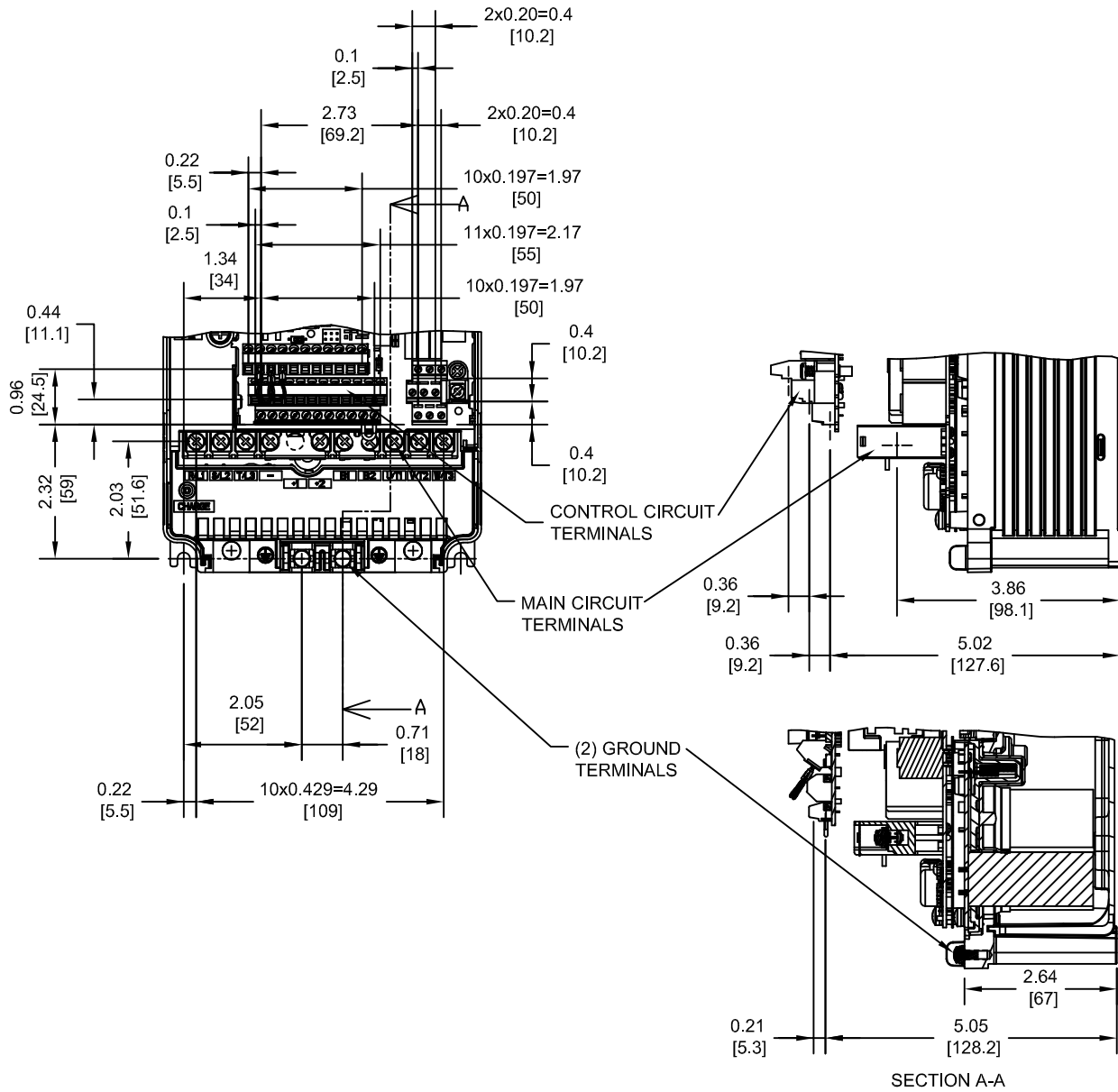
TOLERANCES / REFERENCES:



THIS DOCUMENT AND INFORMATION CONTAINED IN IT ARE CONFIDENTIAL, AND CANNOT BE COPIED OR DISCLOSED IN WHOLE OR IN PART WITHOUT THE EXPRESS WRITTEN CONSENT OF YASKAWA AMERICA, INC.

DRAWN: J. MATTAS	DATE 4-27-11	TITLE: A1000 DIMENSION DRAWING	
CHECKED: J. PIOTROWSKI	DATE 1-24-12	FRAME SIZE 2	
TECH: J. BORJA	DATE 1-3-12	DESIGNED FOR IP54 ENCLOSURES	
APPROVED: J. CAIRO	DATE 4-2-12	SIZE A	REVISION R00
ORIGINAL DESIGN: -	DATE -	PAGE 1 of 3	
		DRAWING #: DD.A1K.FR2.FLNG	

TERMINAL AND WIRING DETAILS (SCALE 1:3)



TERMINAL AND WIRE SPECIFICATIONS FOR MAIN CIRCUIT AND GROUND

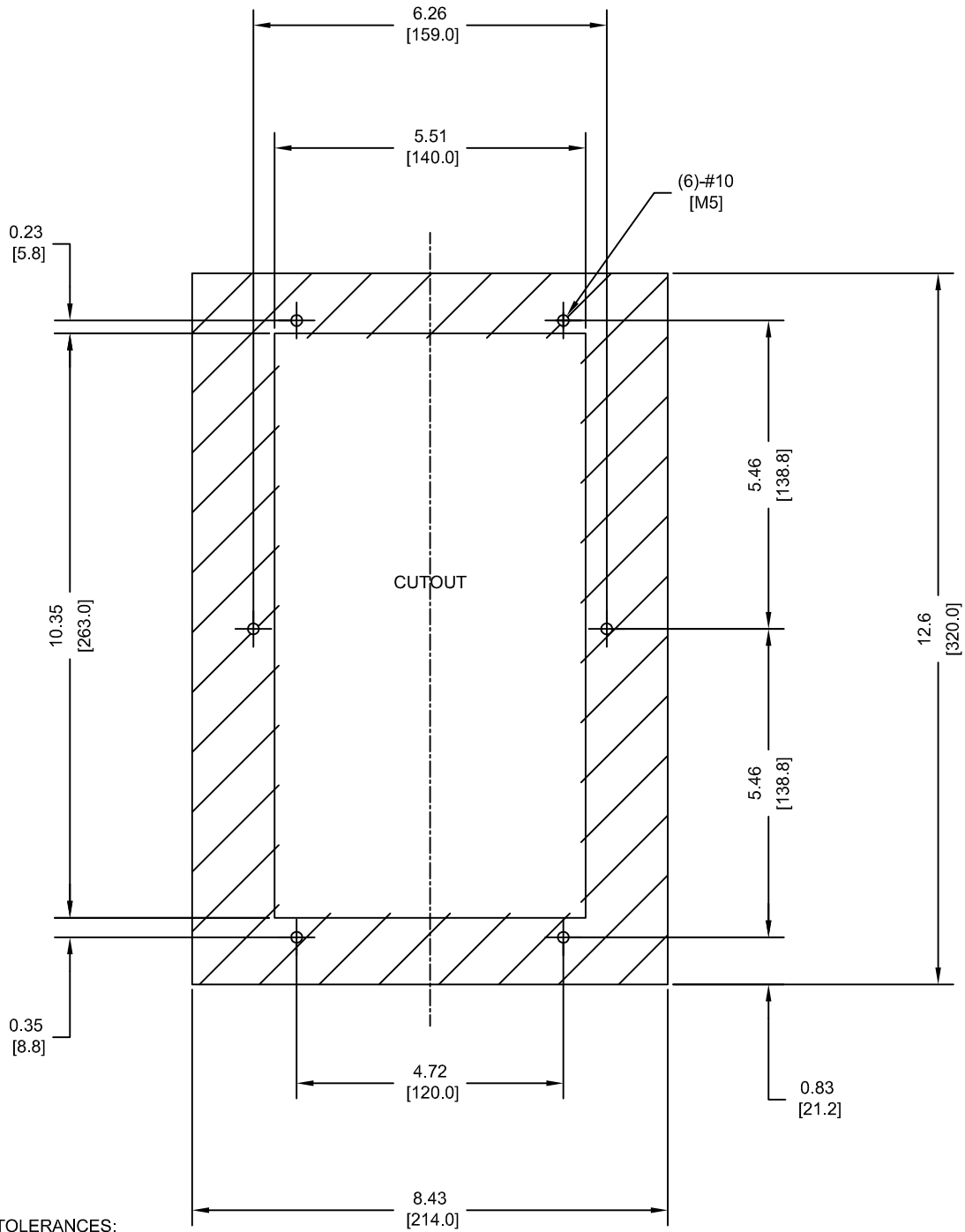
MODEL # CIMR-AU	TERMINAL SYMBOL	TERMINAL SCREW	CLAMPING TORQUE lb.in.(N.m.)	WIRE RANGE AWG(mm ²)
2A0018 2A0021 4A0007 4A0009 4A0011 5A0006 5A0009	R/L1, S/L2, T/L3, ⊖, ⊕1, ⊕2, B1, B2, U/T1, V/T2, W/T3, ⊕	M4	10.6 TO 13.2 (1.2 TO 1.5)	14-10 (2.5-6.0)

NOTE: REFER TO APPLICABLE CODES FOR PROPER WIRE TYPE AND SIZE

FOR ADDITIONAL DETAILS AND SPECIFICATIONS, CONSULT MANUAL

TOLERANCES / REFERENCES:			DRAWN: J. MATTAS DATE: 4-27-11	TITLE: A1000 DIMENSION DRAWING FRAME SIZE 2 DESIGNED FOR IP54 ENCLOSURES 2A00018 - 21, 4A0007 - 11, 5A0006 - 09		
THIS DOCUMENT AND INFORMATION CONTAINED IN IT ARE CONFIDENTIAL, AND CANNOT BE COPIED OR DISCLOSED IN WHOLE OR IN PART WITHOUT THE EXPRESS WRITTEN CONSENT OF YASKAWA AMERICA, INC.			CHECKED: J. PIOTROWSKI DATE: 1-24-12	TECH: J. BORJA DATE: 1-3-12	SIZE: A	REVISION: R00
UNITS: IN [mm]	SCALE: BY VIEW	APPROVED: J. CAIRO DATE: 4-2-12	ORIGINAL DESIGN: -	DATE: -	DRAWING #: DD.A1K.FR2.FLNG	

PANEL CUTOUT FOR EXTERNAL HEATSINK
MOUNTING CONFIGURATION (SCALE 1:3)



NOTES:

- CUTOUT TOLERANCES:
+/- 0.02IN (0.5MM)
- EXPOSED HEATSINK
RECOMMENDED CLEARANCE
D=2.36" MINUS PANEL THICKNESS

FOR ADDITIONAL DETAILS AND SPECIFICATIONS, CONSULT MANUAL

TOLERANCES / REFERENCES:		YASKAWA		DRAWN: J. MATTAS	DATE 4-27-11	TITLE: A1000 DIMENSION DRAWING	
		THIS DOCUMENT AND INFORMATION CONTAINED IN IT ARE CONFIDENTIAL, AND CANNOT BE COPIED OR DISCLOSED IN WHOLE OR IN PART WITHOUT THE EXPRESS WRITTEN CONSENT OF YASKAWA AMERICA, INC.		CHECKED: J. PIOTROWSKI	DATE 1-24-12	FRAME SIZE 2 DESIGNED FOR IP54 ENCLOSURES 2A00018 - 21, 4A0007 - 11, 5A0006 - 09	
UNITS: IN [mm]	SCALE: BY VIEW			TECH: J. BORJA	DATE 1-3-12	SIZE A	REVISION R00
				APPROVED: J. CAIRO	DATE 4-2-12	PAGE 3 of 3	
				ORIGINAL DESIGN: -	DATE -	DRAWING #: DD.A1K.FR2.FLNG	