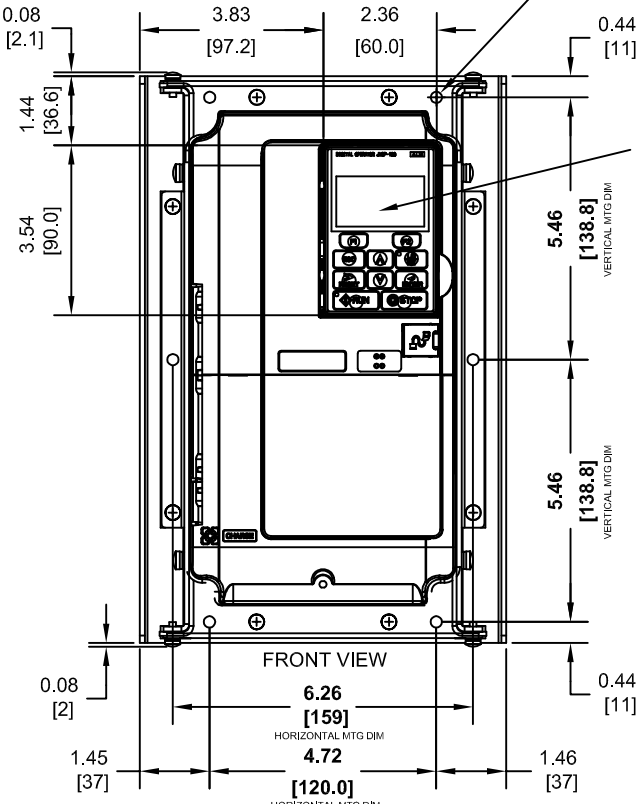
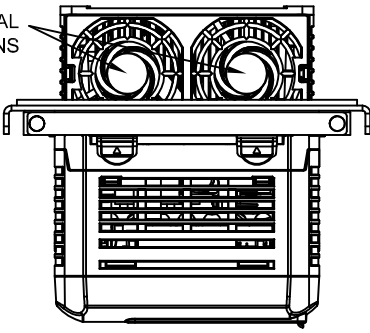


1 2 3 4 5 6 7 8

(2) EXTERNAL COOLING FANS

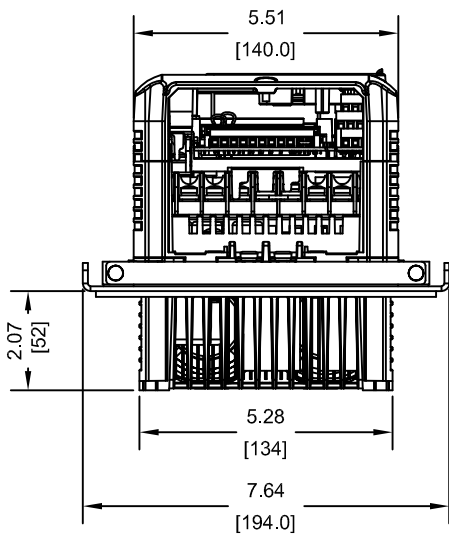
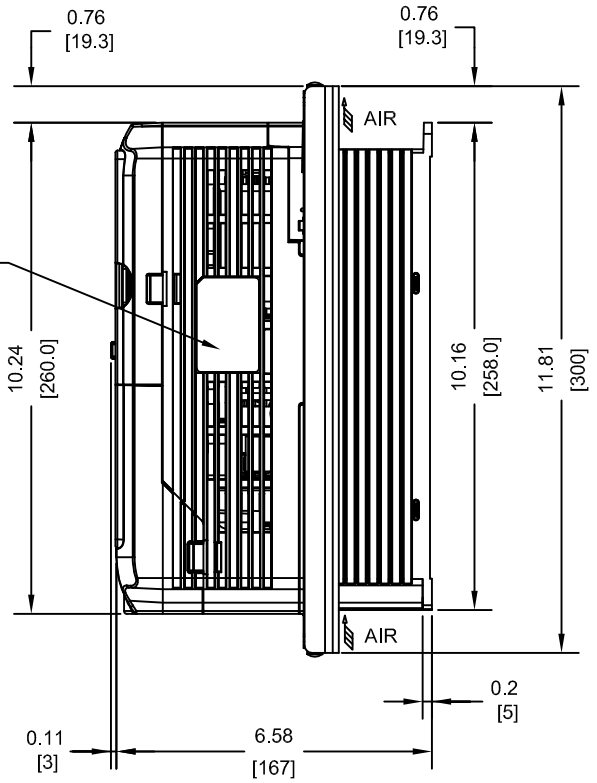
NOTE:
MAXIMUM SURROUNDING AIR TEMPERATURE RATING IS 122F(50C).



(6)-MOUNTING HOLES FOR #10[M5] SCREWS

DIGITAL OPERATOR

NAMEPLATE



MODEL # CIMR-AU	VOLTAGE THREE-PHASE (VAC)	OUTPUT CURRENT (A)		WEIGHT LBS (Kg)	HEAT LOSS (W)					
		ND	HD		ND (Fc=2kHz)			HD (Fc=8kHz)		
					INT	EXT	TOT	INT	EXT	TOT
2A0030UXX	200/240	30.0	25.0	9.2 (4.2)	117.1	261.5	378.6	92.3	194.4	286.7
2A0040UXX		40.0	33.0	9.2 (4.2)	144.5	292.8	437.3	104.8	213.8	318.6
4A0018UXX	380/480	17.5	14.8	9.0 (4.1)	108.0	177.3	285.3	85.7	135.4	221.1
4A0023UXX		23.0	18.0	9.0 (4.1)	138.1	215.9	354.0	97.0	149.9	246.9
5A0011UXX	500/600	11.0	9.8	9.0 (4.1)	88.0	56.1	144.1	49.5	110.9	160.4

NOTE:
XX DENOTES AA-ZZ

INT=INTERNAL COMPONENTS
EXT=EXTERNAL HEATSINK
TOT=TOTAL

FOR ADDITIONAL DETAILS AND SPECIFICATIONS, CONSULT MANUAL

TOLERANCES / REFERENCES:

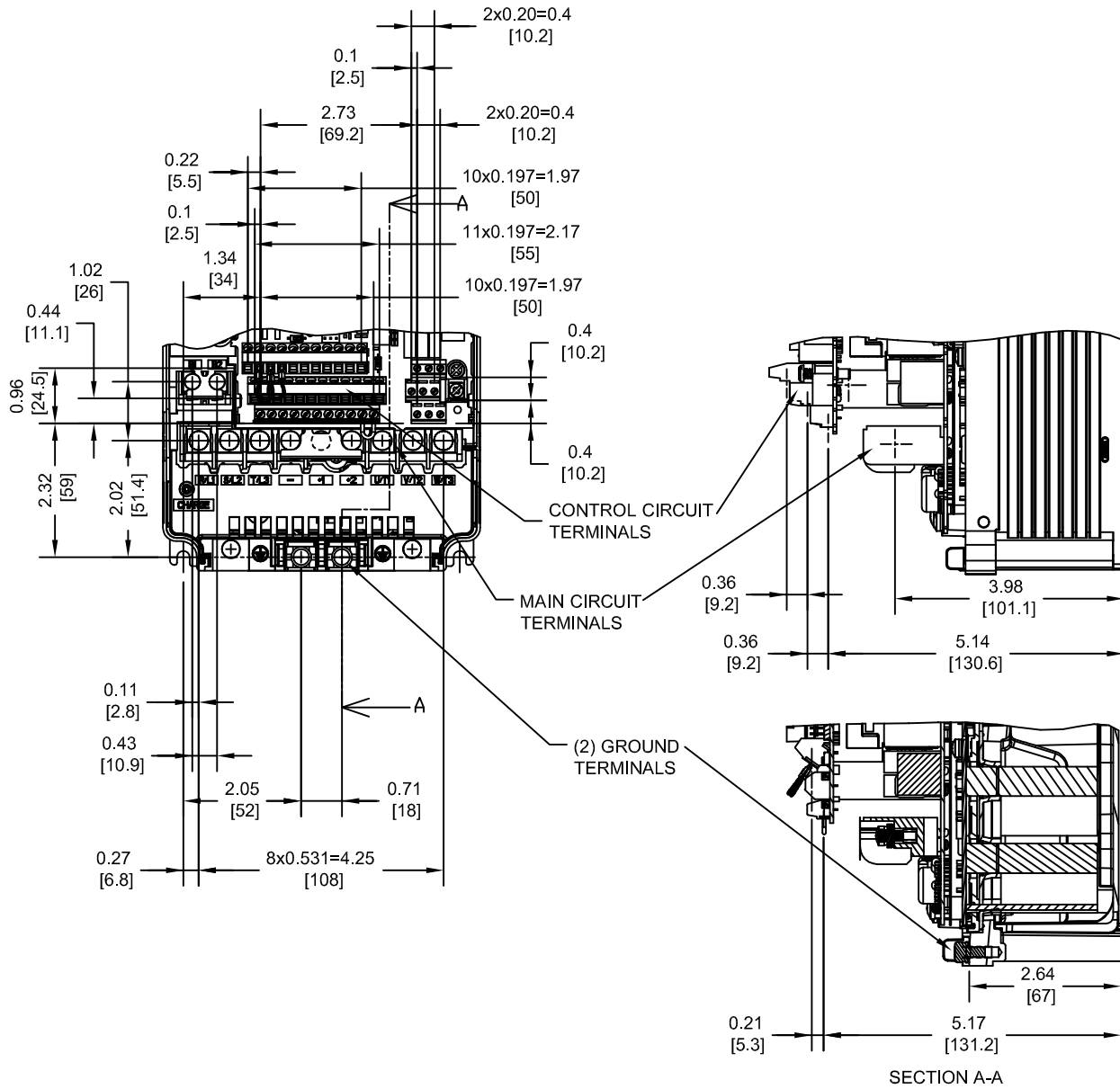
UNITS: IN [mm]
SCALE: 1:4

YASKAWA

THIS DOCUMENT AND INFORMATION CONTAINED IN IT ARE CONFIDENTIAL, AND CANNOT BE COPIED OR DISCLOSED IN WHOLE OR IN PART WITHOUT THE EXPRESS WRITTEN CONSENT OF YASKAWA AMERICA, INC.

DRAWN: J. MATTAS	DATE 4-27-11	TITLE: A1000 DIMENSION DRAWING	
CHECKED: J. PIOTROWSKI	DATE 1-24-12	FRAME SIZE 3	
TECH: J. BORJA	DATE 1-3-12	DESIGNED FOR IP54 ENCLOSURES	
APPROVED: J. CAIRO	DATE 4-2-12	2A0030 - 40, 4A0018 - 23, 5A0011	
ORIGINAL DESIGN: -	DATE -	SIZE A	REVISION R00
			PAGE 1 of 3
		DRAWING #: DD.A1K.FR3.FLNG	

TERMINAL AND WIRING DETAILS (SCALE 1:3)



TERMINAL AND WIRE SPECIFICATIONS FOR MAIN CIRCUIT AND GROUND

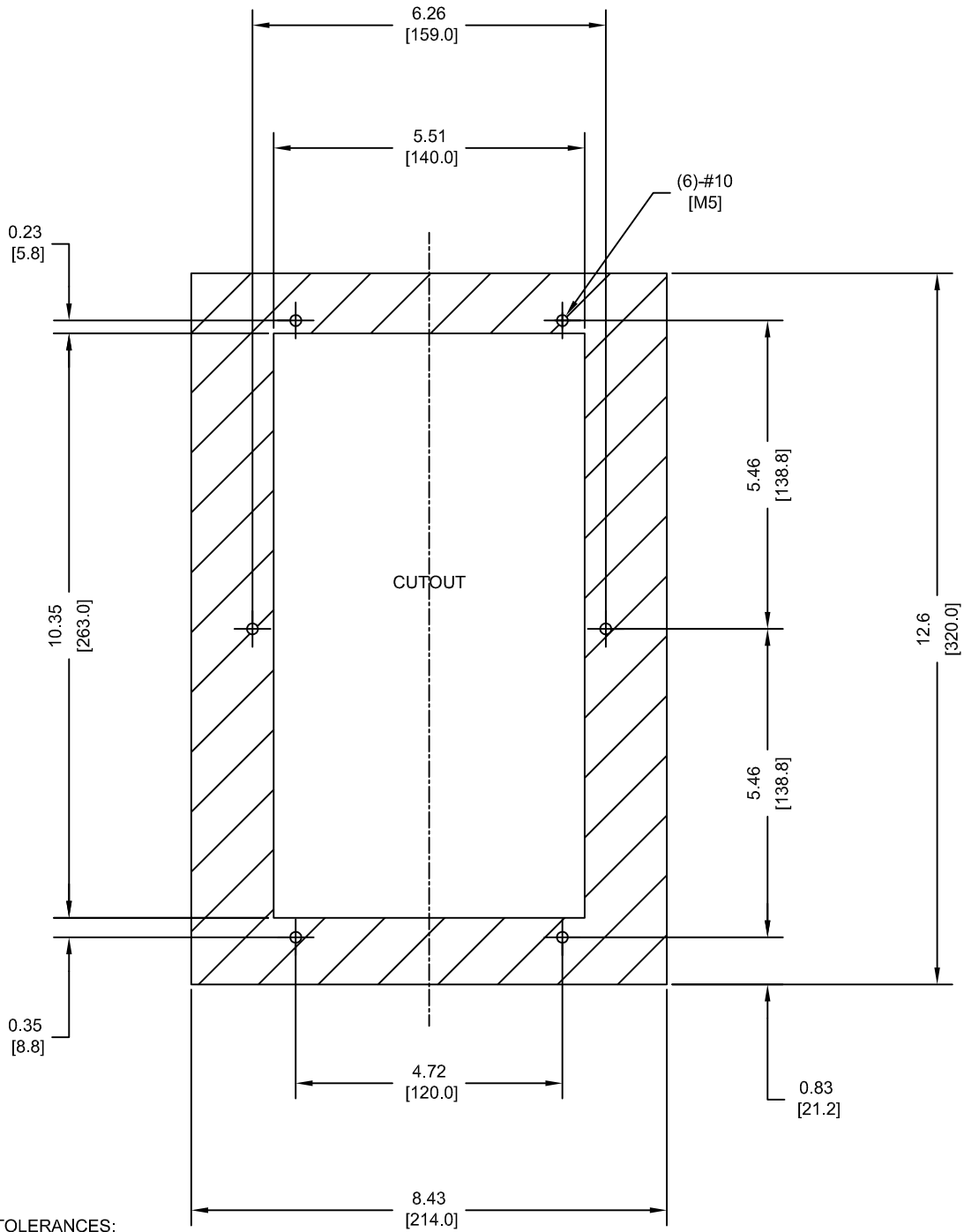
MODEL # CIMR-AU	TERMINAL SYMBOL	TERMINAL SCREW	CLAMPING TORQUE lb.in.(N.m.)	WIRE RANGE AWG(mm ²)
2A0030 2A0040	R/L1, S/L2, T/L3, U/T1, V/T2, W/T3,	M4	20.4 (2.3)	10-6 (6.0-16)
4A0018 4A0023 5A0011	⊖, ⊕1, ⊕2, B1, B2			12-6 (4.0-16)
	⊕	M5	17.7 TO 22.1 (2 TO 2.5)	12-10 (4.0-6.0)

NOTE: REFER TO APPLICABLE CODES FOR PROPER WIRE TYPE AND SIZE

FOR ADDITIONAL DETAILS AND SPECIFICATIONS, CONSULT MANUAL

TOLERANCES / REFERENCES:			DRAWN: J. MATTAS DATE: 4-27-11	TITLE: A1000 DIMENSION DRAWING FRAME SIZE 3 DESIGNED FOR IP54 ENCLOSURES 2A0030 - 40, 4A0018 - 23, 5A0011	
UNITS: IN [mm]			CHECKED: J. PIOTROWSKI DATE: 1-24-12	TECH: J. BORJA DATE: 1-3-12	SIZE: A
SCALE: BY VIEW		APPROVED: J. CAIRO DATE: 4-2-12	ORIGINAL DESIGN: -	DATE: -	PAGE: 2 of 3
		OF YASKAWA AMERICA, INC.		DRAWING #: DD.A1K.FR3.FLNG	

PANEL CUTOUT FOR EXTERNAL HEATSINK
MOUNTING CONFIGURATION (SCALE 1:3)



NOTES:

1. CUTOUT TOLERANCES:
+/- 0.02IN (0.5MM)
2. EXPOSED HEATSINK
RECOMMENDED CLEARANCE
D=2.36" MINUS PANEL THICKNESS

FOR ADDITIONAL DETAILS AND SPECIFICATIONS, CONSULT MANUAL

TOLERANCES / REFERENCES:		YASKAWA		DRAWN: J. MATTAS	DATE 4-27-11	TITLE: A1000 DIMENSION DRAWING	
				CHECKED: J. PIOTROWSKI	DATE 1-24-12	FRAME SIZE 3	
				TECH: J. BORJA	DATE 1-3-12	DESIGNED FOR IP54 ENCLOSURES	
				APPROVED: J. CAIRO	DATE 4-2-12	SIZE A	REVISION R00
				ORIGINAL DESIGN: -	DATE -	PAGE 3 of 3	
UNITS: IN [mm]	SCALE: BY VIEW	THIS DOCUMENT AND INFORMATION CONTAINED IN IT ARE CONFIDENTIAL, AND CANNOT BE COPIED OR DISCLOSED IN WHOLE OR IN PART WITHOUT THE EXPRESS WRITTEN CONSENT OF YASKAWA AMERICA, INC.		DRAWING #: DD.A1K.FR3.FLNG			