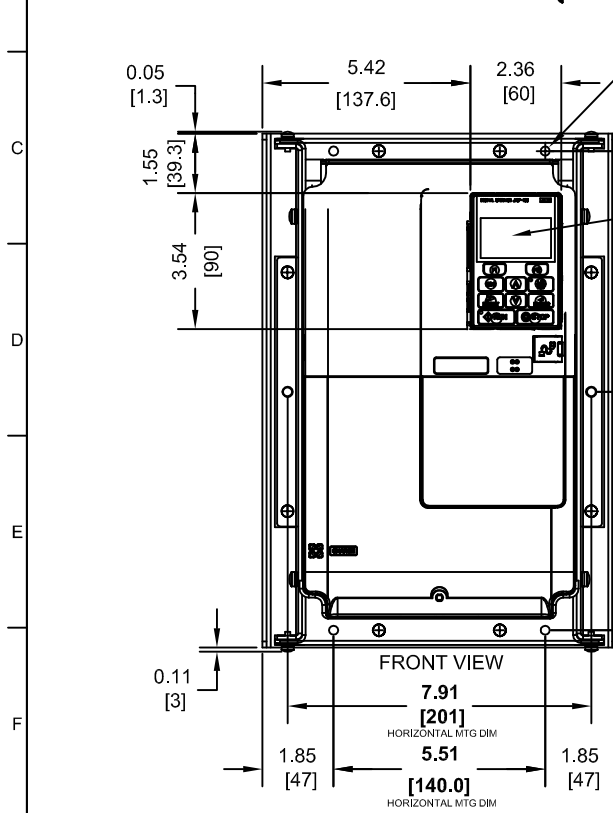


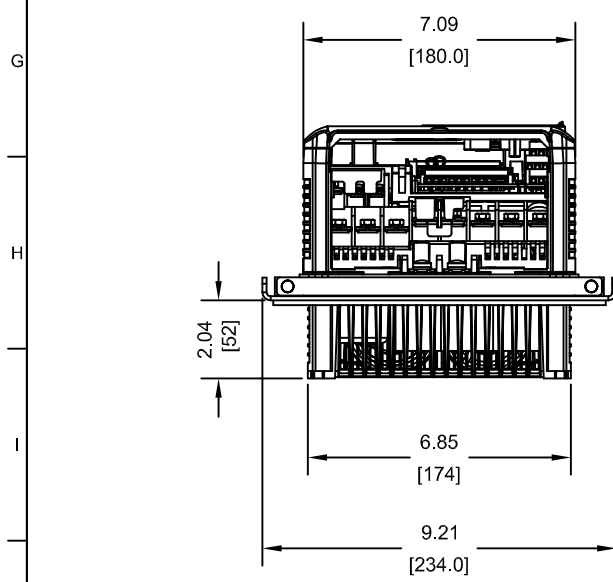
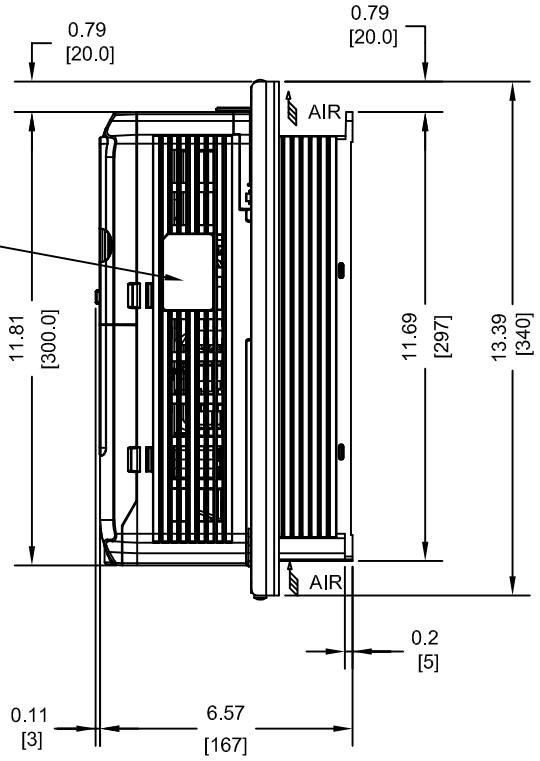
NOTE:
MAXIMUM SURROUNDING AIR TEMPERATURE RATING IS 122F(50C).



(6)-MOUNTING HOLES FOR #10[M5] SCREWS

DIGITAL OPERATOR

NAMEPLATE



MODEL # CIMR-AU	VOLTAGE THREE-PHASE (VAC)	OUTPUT CURRENT (A)		WEIGHT LBS (Kg)	HEAT LOSS (W)					
					ND (Fc=2kHz)			HD (Fc=8kHz)		
		ND	HD		INT	EXT	TOT	INT	EXT	TOT
4A0031UXX	380/480	31.0	24.0	12.5 (5.7)	160.5	294.6	455.1	115.1	208.0	323.1

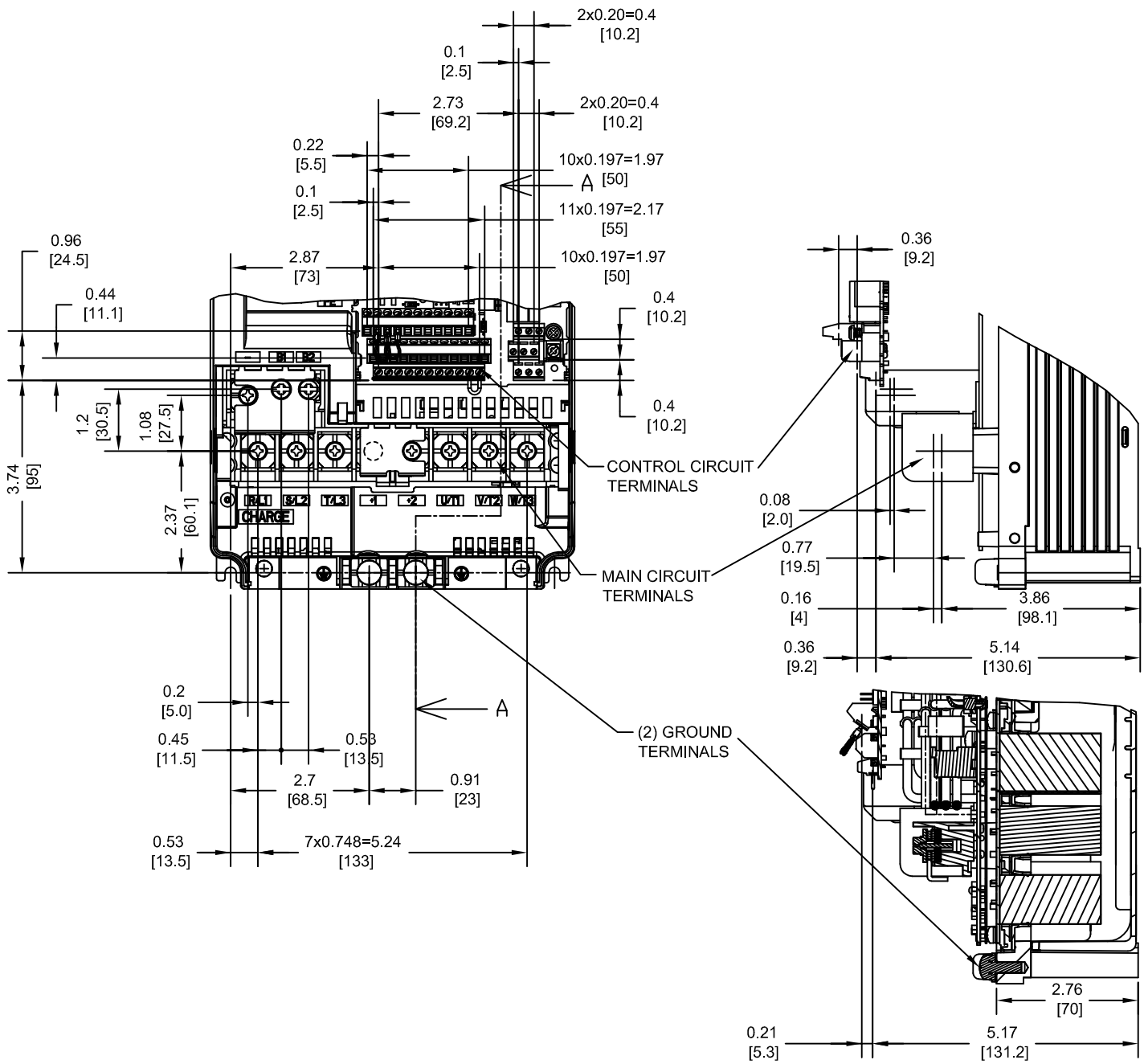
NOTE:
XX DENOTES AA-ZZ

INT=INTERNAL COMPONENTS
EXT=EXTERNAL HEATSINK
TOT=TOTAL

FOR ADDITIONAL DETAILS AND SPECIFICATIONS, CONSULT MANUAL

TOLERANCES / REFERENCES:		DRAWN:	J. MATTAS	DATE:	5-3-11	TITLE:			A1000 DIMENSION DRAWING		
		CHECKED:	J. PIOTROWSKI	DATE:	1-24-12	FRAME SIZE 4			DESIGNED FOR IP54 ENCLOSURES		
		TECH:	J. BORJA	DATE:	1-3-12	SIZE:	A	REVISION:	R00	PAGE:	1 of 3
		APPROVED:	J. CAIRO	DATE:	4-2-12	DRAWING #:	DD.A1K.FR4.FLNG				
UNITS:	IN [mm]	SCALE:	1:5	ORIGINAL DESIGN:	-	DATE:	-				
THIS DOCUMENT AND INFORMATION CONTAINED IN IT ARE CONFIDENTIAL, AND CANNOT BE COPIED OR DISCLOSED IN WHOLE OR IN PART WITHOUT THE EXPRESS WRITTEN CONSENT OF YASKAWA AMERICA, INC.											

TERMINAL AND WIRING DETAILS (SCALE 1:3)



TERMINAL AND WIRE SPECIFICATIONS FOR MAIN CIRCUIT AND GROUND

SECTION A-A

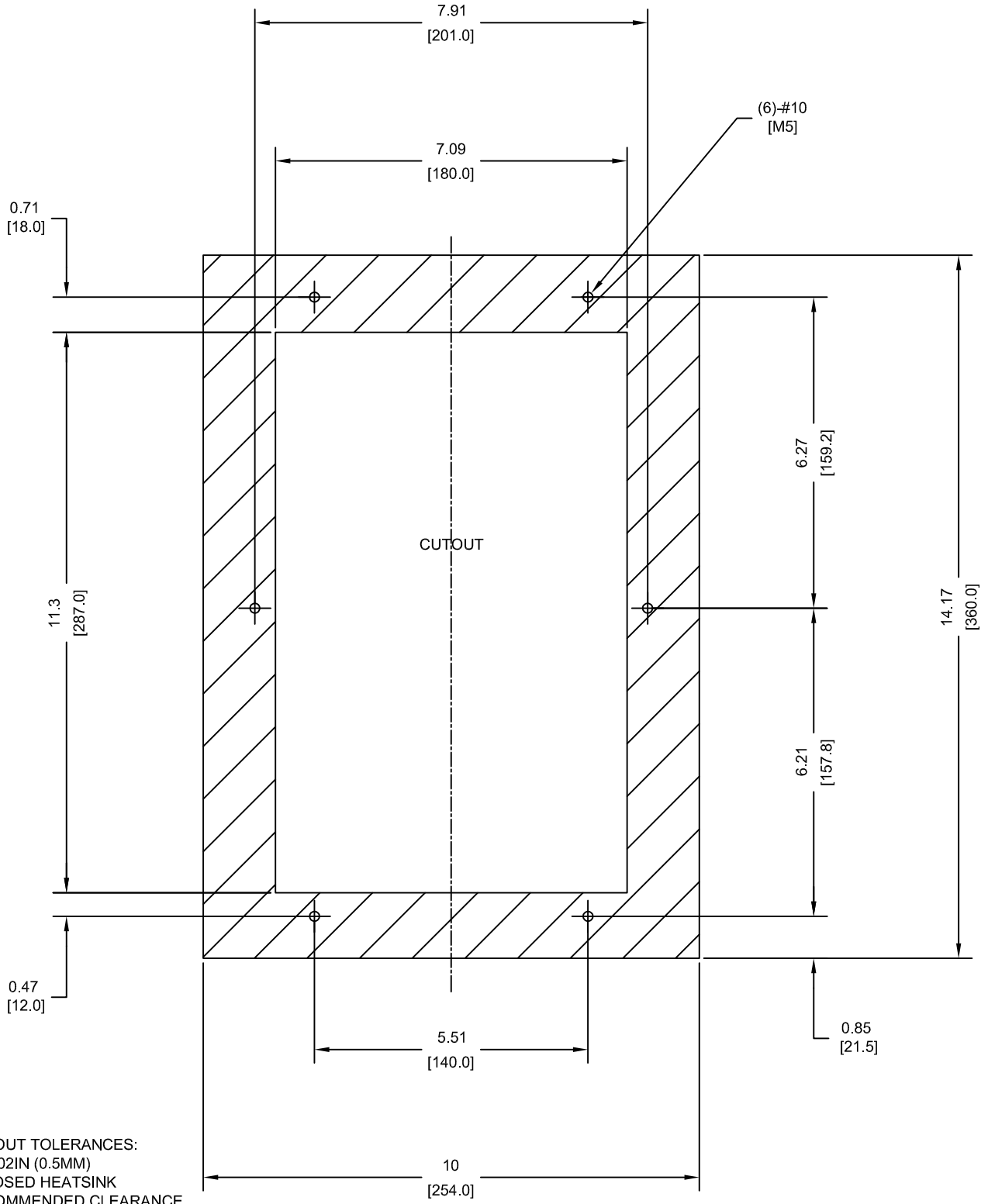
MODEL # CIMR-AU	TERMINAL SYMBOL	TERMINAL SCREW	CLAMPING TORQUE lb.in.(N.m.)	WIRE RANGE AWG(mm ²)
4A0031	R/L1, S/L2, T/L3	M5	17.7 TO 22.1 (2 TO 2.5)	8-6 (10-16)
	U/T1, V/T2, W/T3			10-6 (6.0-16)
	⊖, ⊕1, ⊕2,			10-6 (6.0-16)
	B1, B2	10-8 (6.0-10)		
	⊕	M6	35.4 TO 53.1 (4 TO 6)	10-8 (6.0-10)

NOTE: REFER TO APPLICABLE CODES FOR PROPER WIRE TYPE AND SIZE

FOR ADDITIONAL DETAILS AND SPECIFICATIONS, CONSULT MANUAL


TOLERANCES / REFERENCES:			DRAWN: J. MATTAS DATE: 5-3-11	TITLE: A1000 DIMENSION DRAWING FRAME SIZE 4 DESIGNED FOR IP54 ENCLOSURES 4A0031	
			CHECKED: J. PIOTROWSKI DATE: 1-24-12	DATE: 1-3-12	REVISION R00
UNITS: IN [mm]		SCALE: BY VIEW		TECH: J. BORJA DATE: 1-3-12	DRAWING #: DD.A1K.FR4.FLNG
THIS DOCUMENT AND INFORMATION CONTAINED IN IT ARE CONFIDENTIAL, AND CANNOT BE COPIED OR DISCLOSED IN WHOLE OR IN PART WITHOUT THE EXPRESS WRITTEN CONSENT OF YASKAWA AMERICA, INC.		APPROVED: J. CAIRO DATE: 4-2-12	ORIGINAL DESIGN: -	DATE: -	

PANEL CUTOUT FOR EXTERNAL HEATSINK
MOUNTING CONFIGURATION (SCALE 1:3)



- NOTES:**
- CUTOUT TOLERANCES:
+/- 0.02IN (0.5MM)
 - EXPOSED HEATSINK
RECOMMENDED CLEARANCE
D=2.36" MINUS PANEL THICKNESS

FOR ADDITIONAL DETAILS AND SPECIFICATIONS, CONSULT MANUAL

TOLERANCES / REFERENCES:		 THIS DOCUMENT AND INFORMATION CONTAINED IN IT ARE CONFIDENTIAL, AND CANNOT BE COPIED OR DISCLOSED IN WHOLE OR IN PART WITHOUT THE EXPRESS WRITTEN CONSENT OF YASKAWA AMERICA, INC.	DRAWN: J. MATTAS CHECKED: J. PIOTROWSKI TECH: J. BORJA APPROVED: J. CAIRO ORIGINAL DESIGN: -	DATE 5-3-11 DATE 1-24-12 DATE 1-3-12 DATE 4-2-12 DATE -	TITLE: A1000 DIMENSION DRAWING FRAME SIZE 4 DESIGNED FOR IP54 ENCLOSURES 4A0031 DRAWING #: DD.A1K.FR4.FLNG
UNITS: IN [mm]	SCALE: BY VIEW		SIZE A	REVISION R00	PAGE 3 of 3