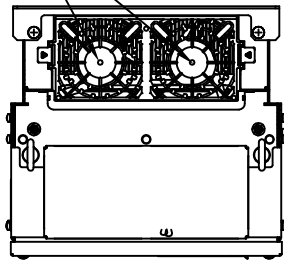
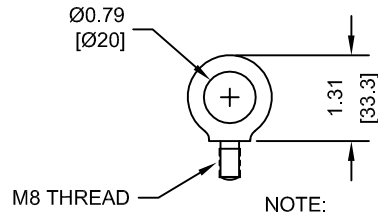


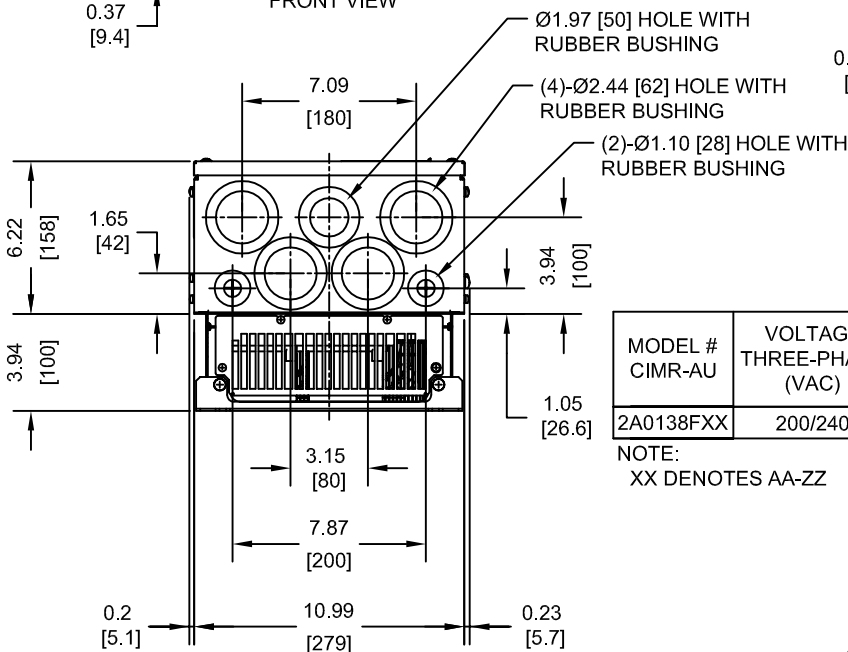
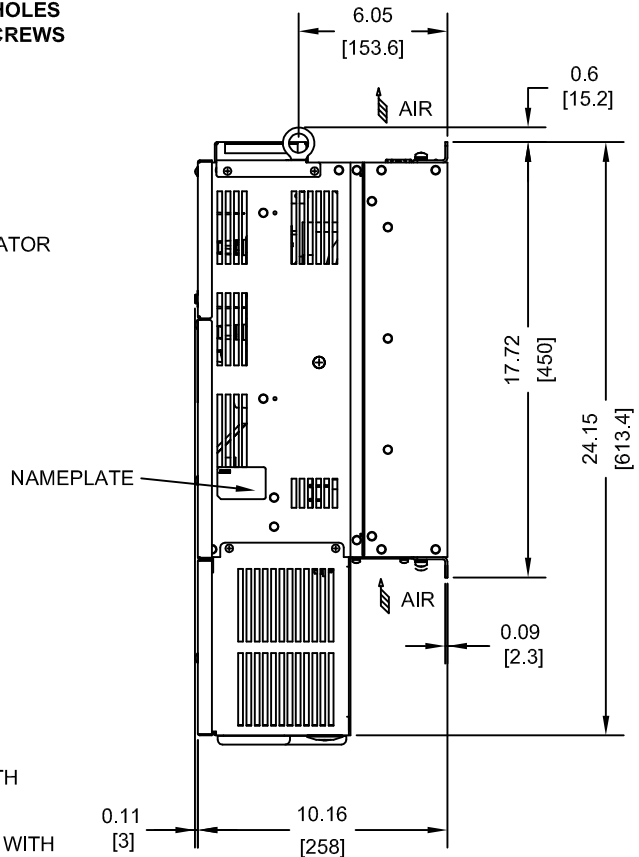
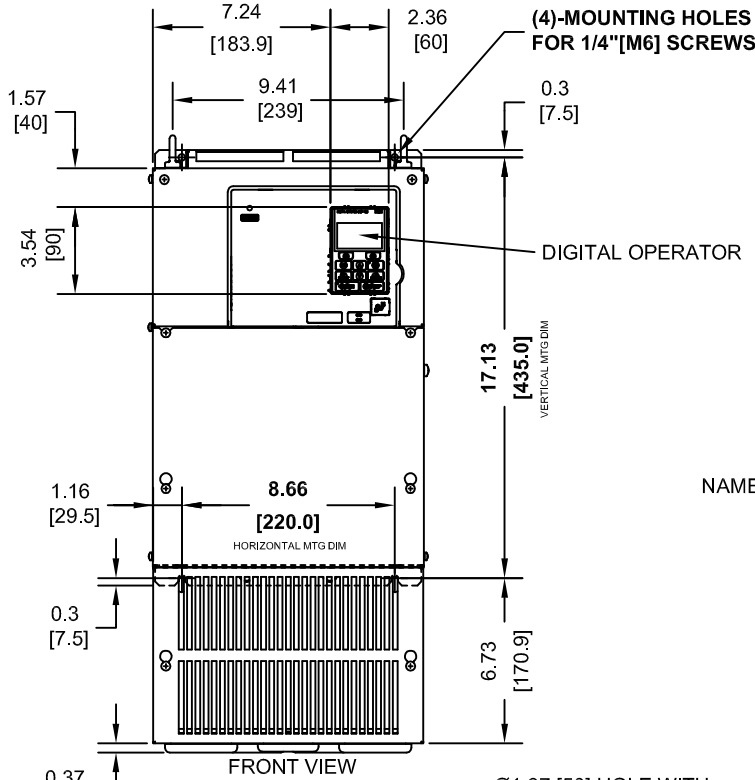
(2) EXTERNAL COOLING FANS



LIFTING AND EYEBOLT DETAILS



NOTE:  
SPREADER BAR REQUIRED TO AVOID DAMAGE DURING LIFTING



MODEL # CIMR-AU	VOLTAGE THREE-PHASE (VAC)	OUTPUT CURRENT (A)		WEIGHT LBS (Kg)	HEAT LOSS (W)					
					ND (Fc=2kHz)			HD (Fc=8kHz)		
		ND	HD		INT	EXT	TOT	INT	EXT	TOT
2A0138FXX	200/240	138	115	61.6 (28)	312	842	1154	250	662	912

NOTE:  
XX DENOTES AA-ZZ

INT=INTERNAL COMPONENTS  
EXT=EXTERNAL HEATSINK  
TOT=TOTAL

FOR ADDITIONAL DETAILS AND SPECIFICATIONS, CONSULT MANUAL

TOLERANCES / REFERENCES:



THIS DOCUMENT AND INFORMATION CONTAINED  
IN IT ARE CONFIDENTIAL, AND CANNOT BE  
COPIED OR DISCLOSED IN WHOLE OR IN PART  
WITHOUT THE EXPRESS WRITTEN CONSENT  
OF YASKAWA AMERICA, INC.

DRAWN:  
J. MATTAS

CHECKED:  
J. PIOTROWSKI

TECH:  
J. CAIRO

APPROVED:  
T. SASADA

ORIGINAL DESIGN:  
-

DATE  
5-4-10

DATE  
12-10-10

DATE  
12-14-10

DATE  
12-17-10

DATE  
-

TITLE:

A1000 DIMENSION DRAWING

FRAME SIZE 8A

NEMA TYPE 1 ENCLOSURE

2A0138

SIZE  
A

REVISION  
R00

PAGE  
1 of 3

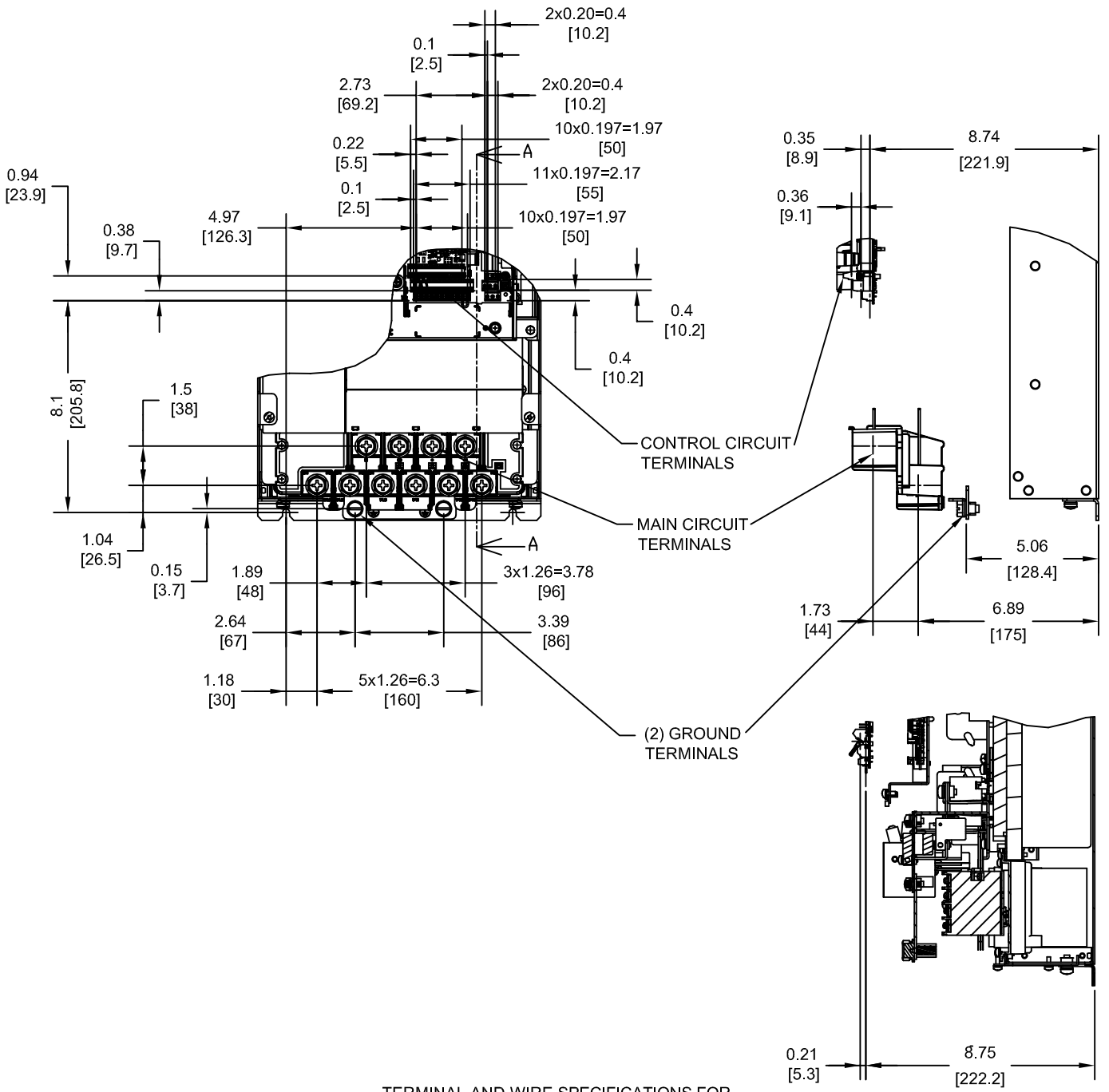
DRAWING #:

DD.A1K.FR8A.N1

UNITS:  
IN [mm]

SCALE:  
1:8

TERMINAL AND WIRING DETAILS (SCALE 1:6)



TERMINAL AND WIRE SPECIFICATIONS FOR MAIN CIRCUIT AND GROUND

SECTION A-A

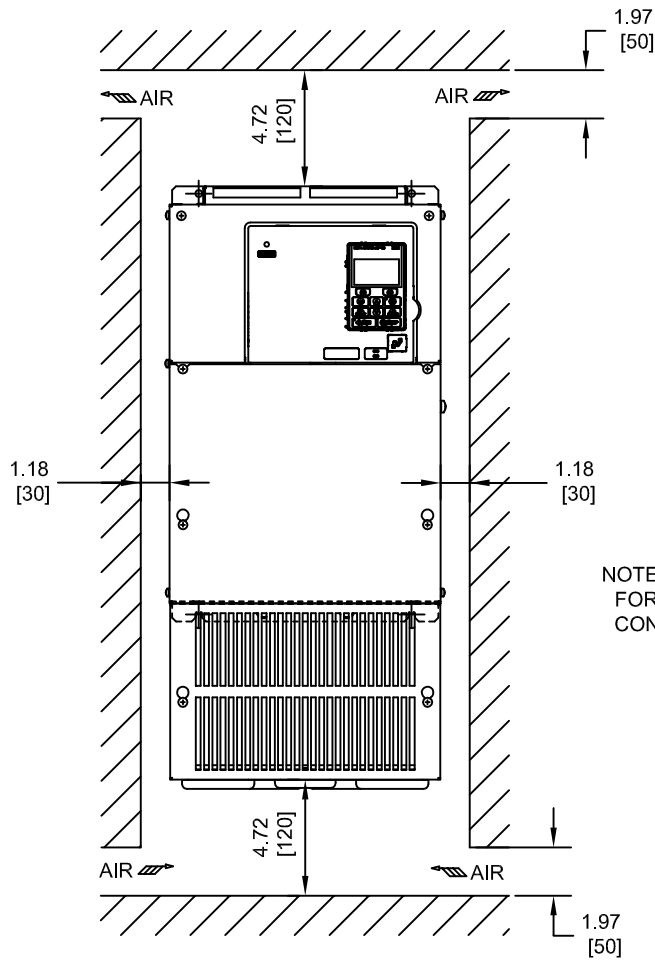
MODEL # CIMR-AU	TERMINAL SYMBOL	TERMINAL SCREW	CLAMPING TORQUE lb.in.(N.m.)	WIRE RANGE AWG(mm <sup>2</sup> )
2A0138	R/L1, S/L2, T/L3	M10	159 TO 204 (18 TO 23)	10-3/0 (5.3-85.0)
	U/T1, V/T2, W/T3			
	⊖, ⊕1			
	B1, B2			
	⊕	M8	79.7 TO 97.4 (9 TO 11)	SEE NOTE

NOTE: REFER TO APPLICABLE CODES FOR PROPER WIRE TYPE AND SIZE

FOR ADDITIONAL DETAILS AND SPECIFICATIONS, CONSULT MANUAL

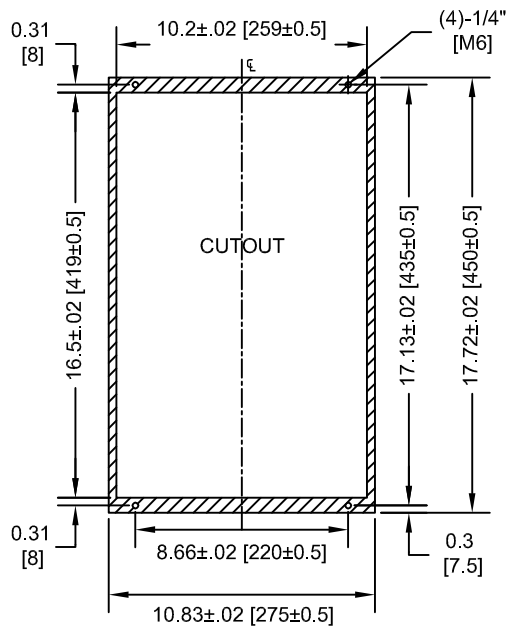
TOLERANCES / REFERENCES:		<p>THIS DOCUMENT AND INFORMATION CONTAINED IN IT ARE CONFIDENTIAL, AND CANNOT BE COPIED OR DISCLOSED IN WHOLE OR IN PART WITHOUT THE EXPRESS WRITTEN CONSENT OF YASKAWA AMERICA, INC.</p>	DRAWN: J. MATTAS	DATE 5-4-10	TITLE: A1000 DIMENSION DRAWING FRAME SIZE 8A NEMA TYPE 1 ENCLOSURE 2A0138
UNITS: IN [mm]			CHECKED: J. PIOTROWSKI	DATE 12-10-10	
SCALE: BY VIEW			TECH: J. CAIRO	DATE 12-14-10	
			APPROVED: T. SASADA	DATE 12-17-10	
		ORIGINAL DESIGN:	DATE	SIZE A	REVISION R00
				PAGE 2 of 3	
				DRAWING # <b>DD.A1K.FR8A.N1</b>	

MINIMUM INSTALLATION CLEARANCES (SCALE 1:8)



NOTE:  
FOR SIDE-BY-SIDE MOUNTING  
CONSULT MANUAL

PANEL CUTOUT FOR EXTERNAL HEATSINK  
MOUNTING CONFIGURATION (SCALE 1:8)



NOTE:  
EXPOSED HEATSINK DEPTH  
D=3.94" MINUS PANEL THICKNESS

FOR ADDITIONAL DETAILS AND SPECIFICATIONS, CONSULT MANUAL

TOLERANCES / REFERENCES:		<p><b>YASKAWA</b></p> <p>THIS DOCUMENT AND INFORMATION CONTAINED IN IT ARE CONFIDENTIAL, AND CANNOT BE COPIED OR DISCLOSED IN WHOLE OR IN PART WITHOUT THE EXPRESS WRITTEN CONSENT OF YASKAWA AMERICA, INC.</p>	DRAWN: J. MATTAS	DATE: 5-4-10	TITLE: A1000 DIMENSION DRAWING FRAME SIZE 8A NEMA TYPE 1 ENCLOSURE 2A0138	
UNITS: IN [mm]			CHECKED: J. PIOTROWSKI	DATE: 12-10-10		SIZE: A
SCALE: BY VIEW			TECH: J. CAIRO	DATE: 12-14-10		REVISION: R00
			APPROVED: T. SASADA	DATE: 12-17-10		PAGE: 3 of 3
		ORIGINAL DESIGN: -	DATE: -	DRAWING #: <b>DD.A1K.FR8A.N1</b>		