

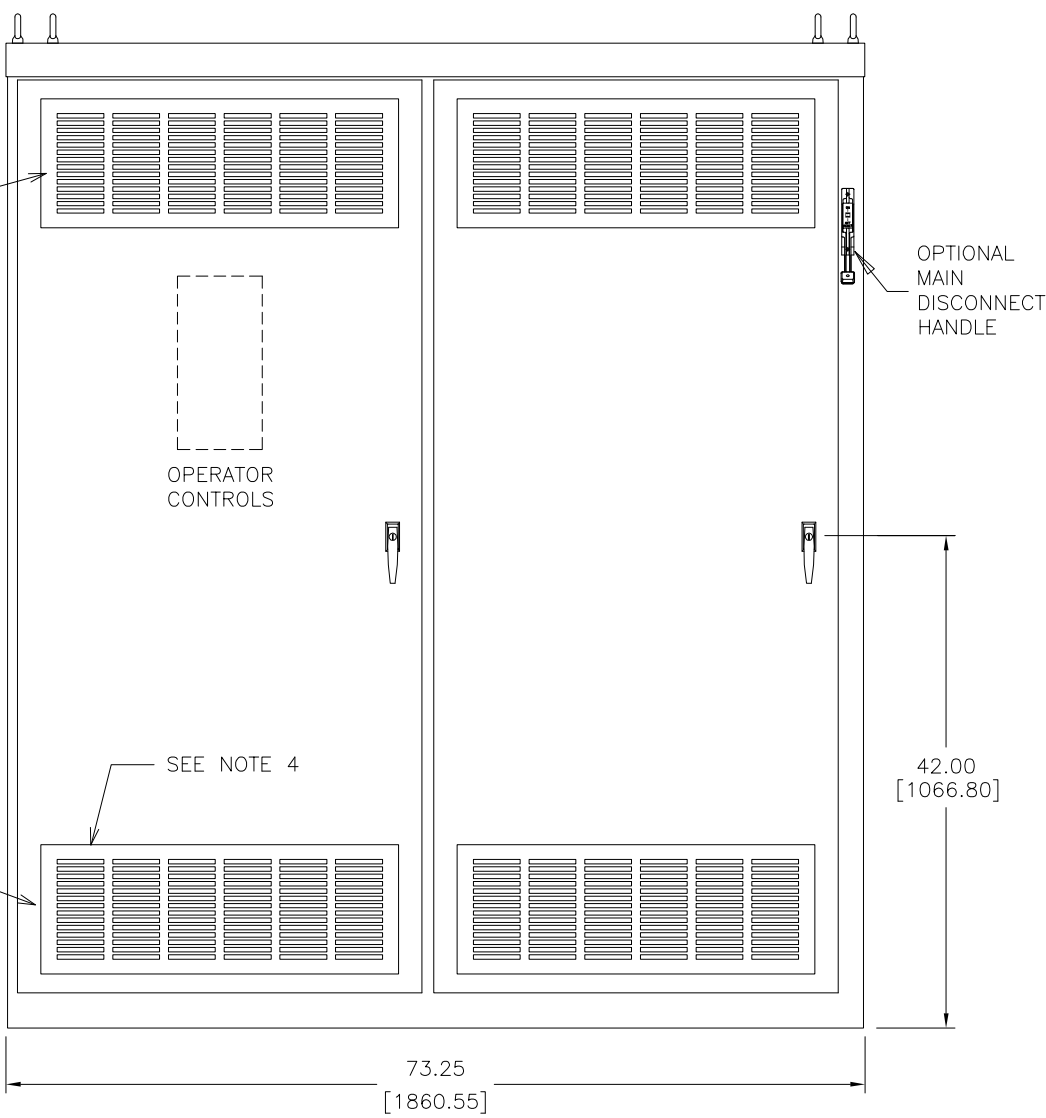
FOR REFERENCE ONLY UNLESS PROPERLY ENDORSED.

TOP VIEW

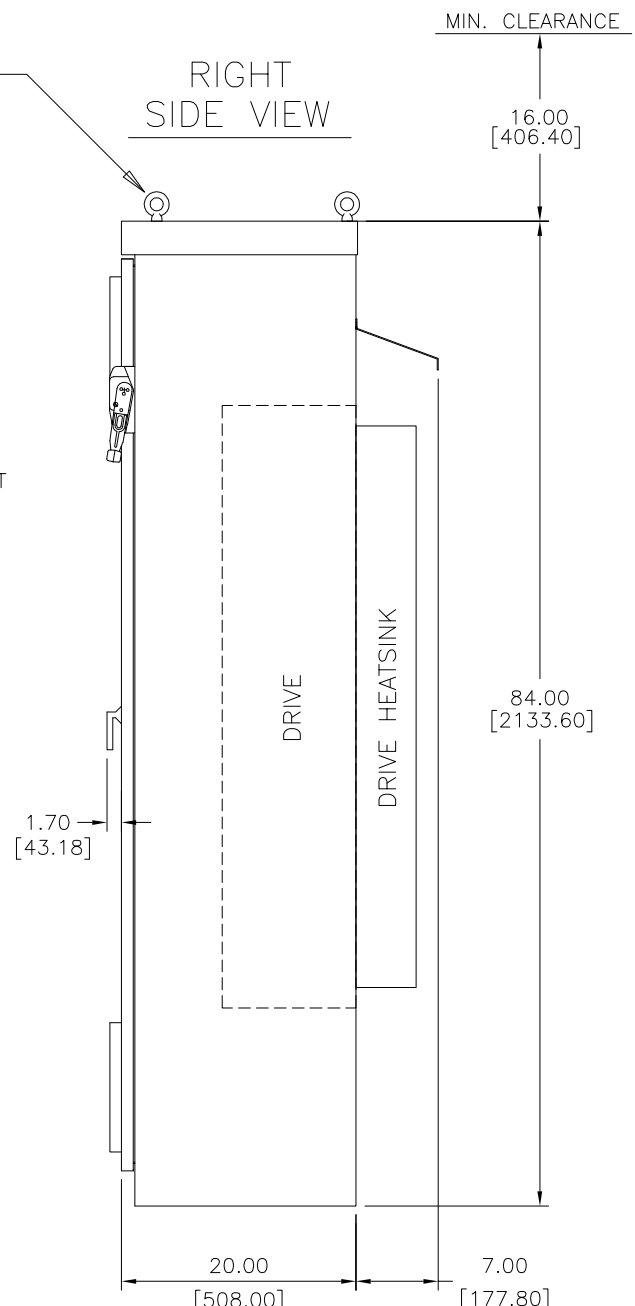


FRONT OF ENCLOSURE

FRONT VIEW



RIGHT SIDE VIEW



SEE NOTES 2 & 3

OPERATOR CONTROLS

SEE NOTE 4

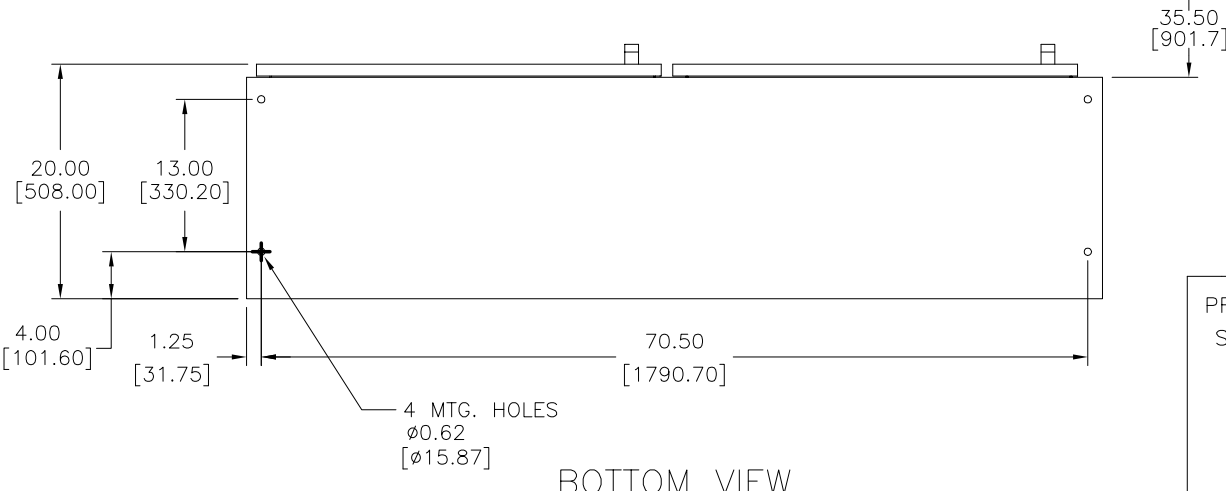
EYEBOLTS (SHIPPED LOOSE INSIDE THE CABINET)

OPTIONAL MAIN DISCONNECT HANDLE

MIN. CLEARANCE

MIN. ALLOWABLE SPACE REQ'D. TO OPEN DOORS

BOTTOM VIEW



PROJECT NAME: _____
 SYSTEM/TAG # _____
 MODEL # _____
 HP: _____
 AMPS: _____
 VOLTS: _____
 WEIGHT: _____

- NOTES:
- DIMENSIONS ARE IN INCHES AND [MM].
 - NON-VENTILATED ENCLOSURE (NEMA 12), NO SLOTS IN DOOR.
 - VENTILATED ENCLOSURE (NEMA 1), DOORS SLOTTED TOP AND BOTTOM AS REQUIRED.
 - FILTERED AIR INTAKE (NEMA 1 & 12), ADAPTS EXTERNALLY TO DOORS AS REQUIRED.

	DRAWN: D.R. CMELAK	DATE 6.24.08	TITLE: DIMENSION DRAWING ENCLOSURE	
	CHECKED: K. FLIERL	DATE 6.24.08	SIZE C	REVISION R00
THIS DOCUMENT AND INFORMATION CONTAINED IN IT ARE CONFIDENTIAL, AND CANNOT BE COPIED OR DISCLOSED IN WHOLE OR IN PART WITHOUT THE EXPRESS WRITTEN CONSENT OF YASKAWA ELECTRIC AMERICA INC.		TECH:	DATE	PAGE 01 of 01
APPROVED: J. ZUEHLKE	DATE 6.24.08	ORIGINAL DESIGN: D.R. CMELAK	DATE 6.24.08	DRAWING #: DD.AFD.184.08