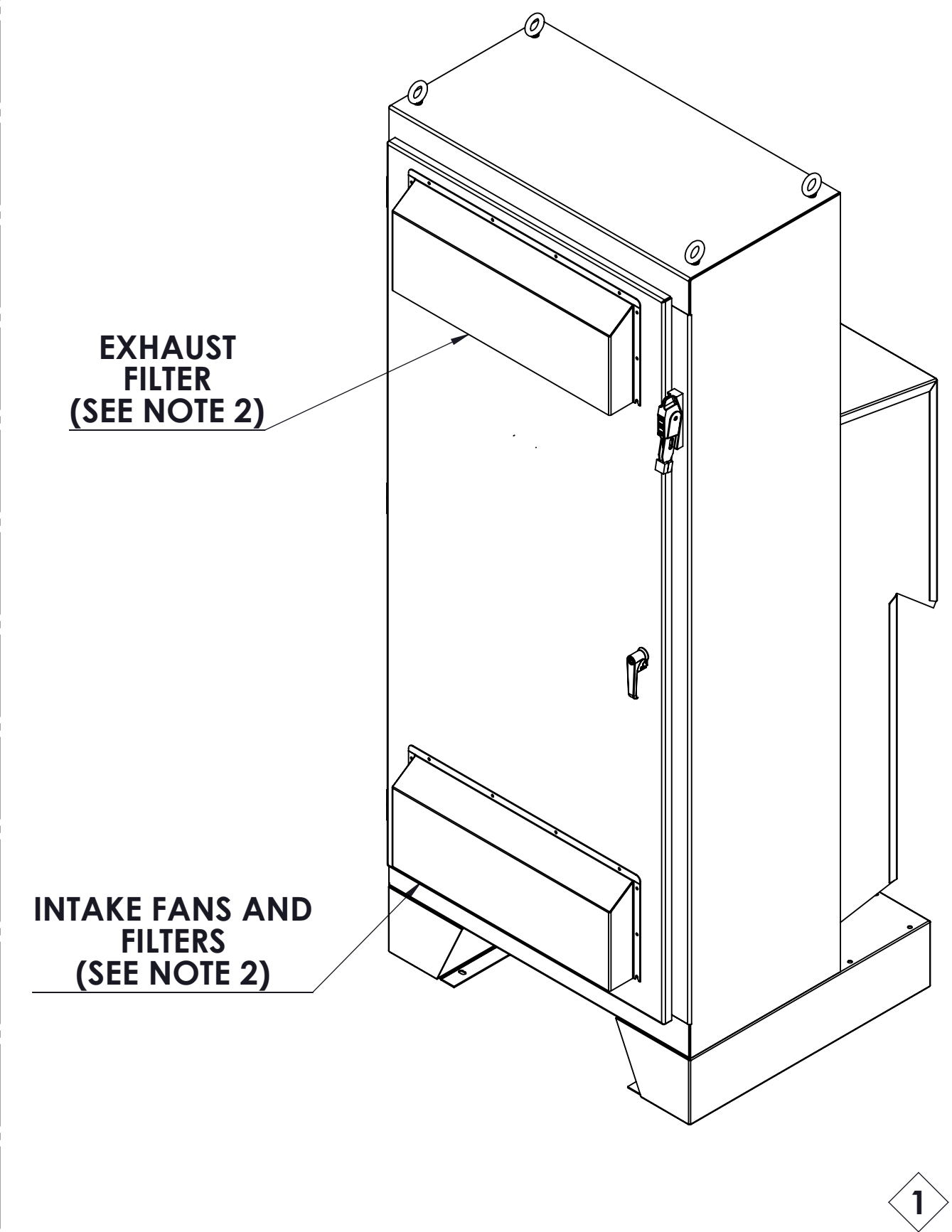
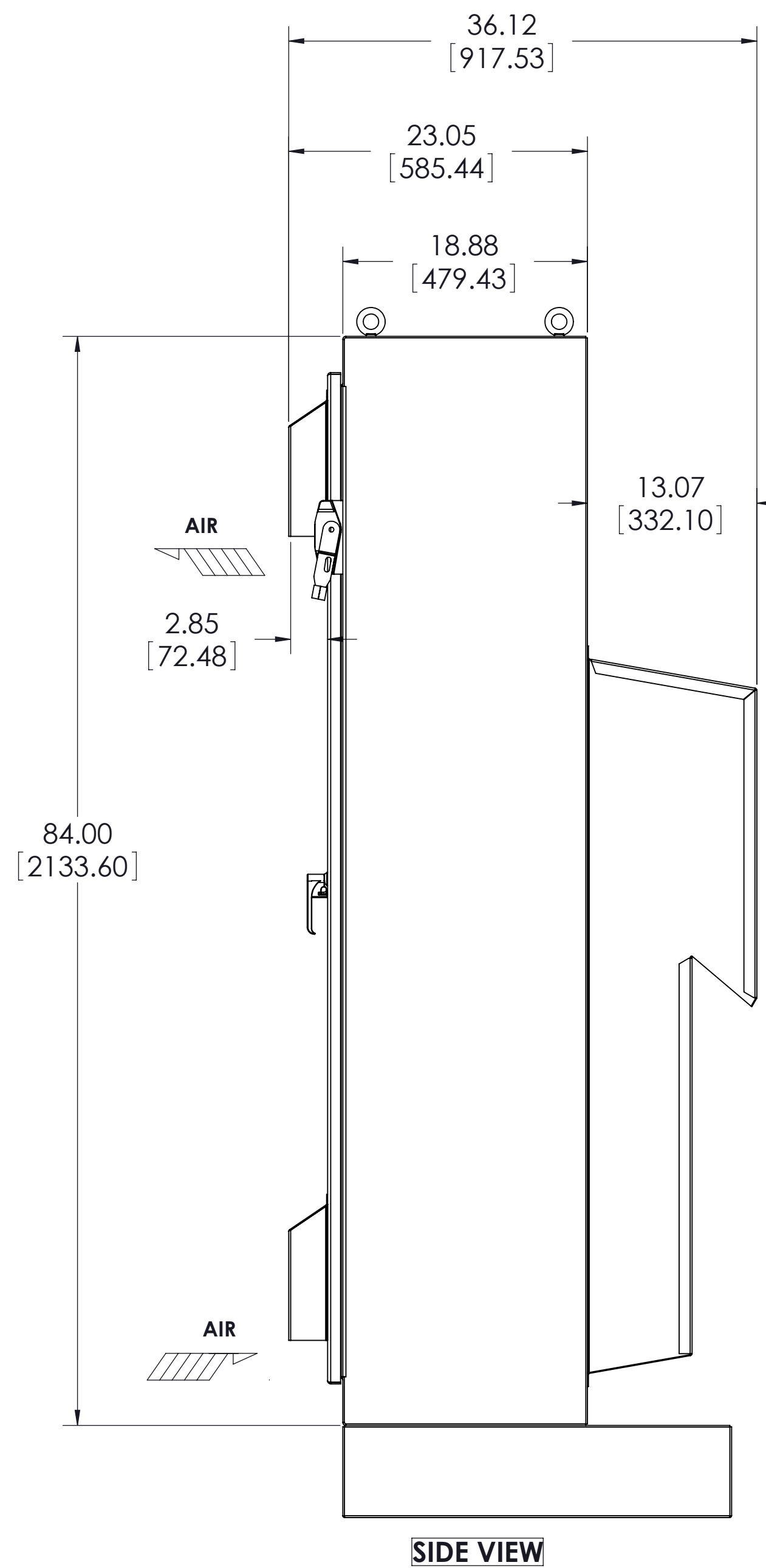
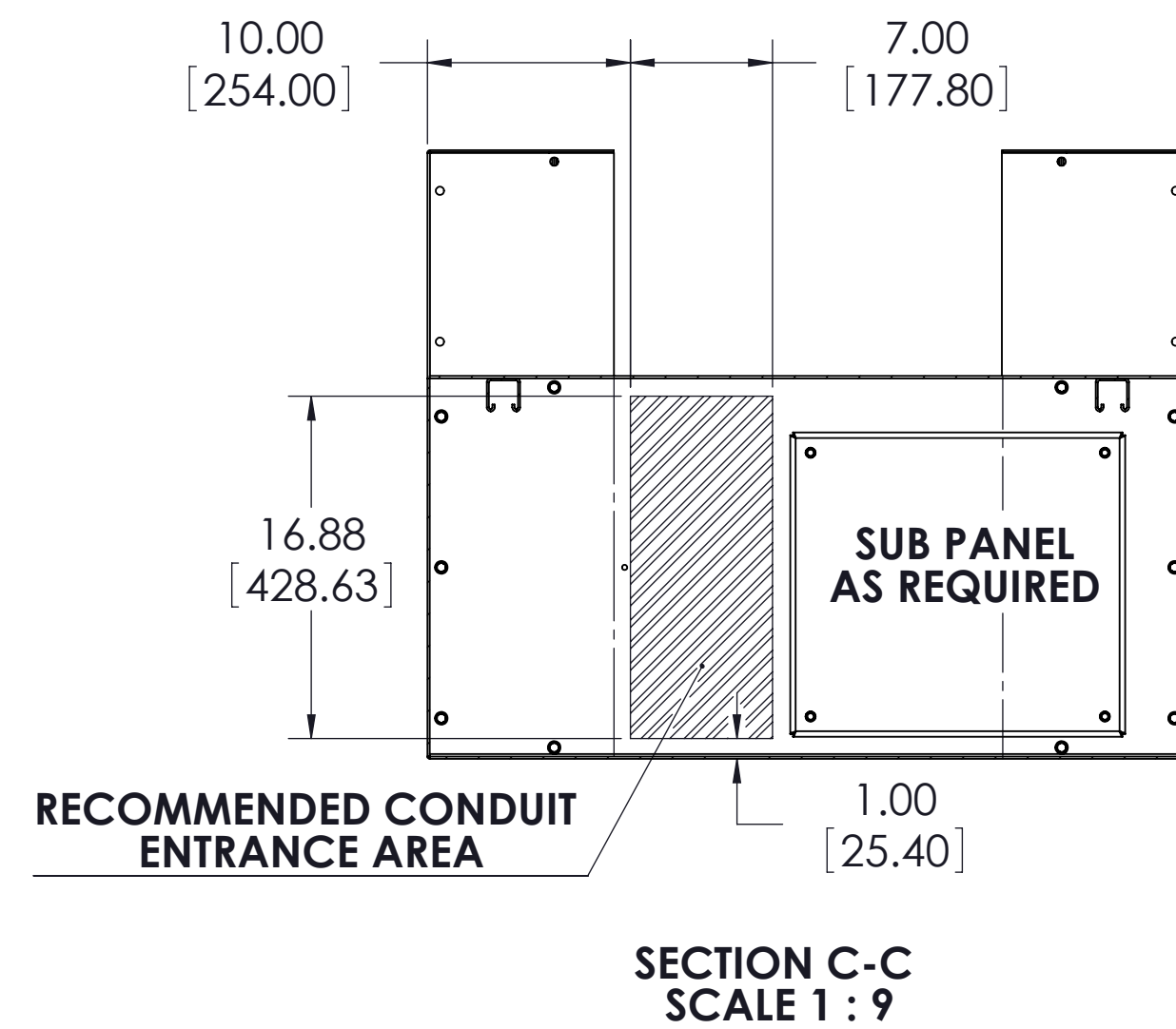
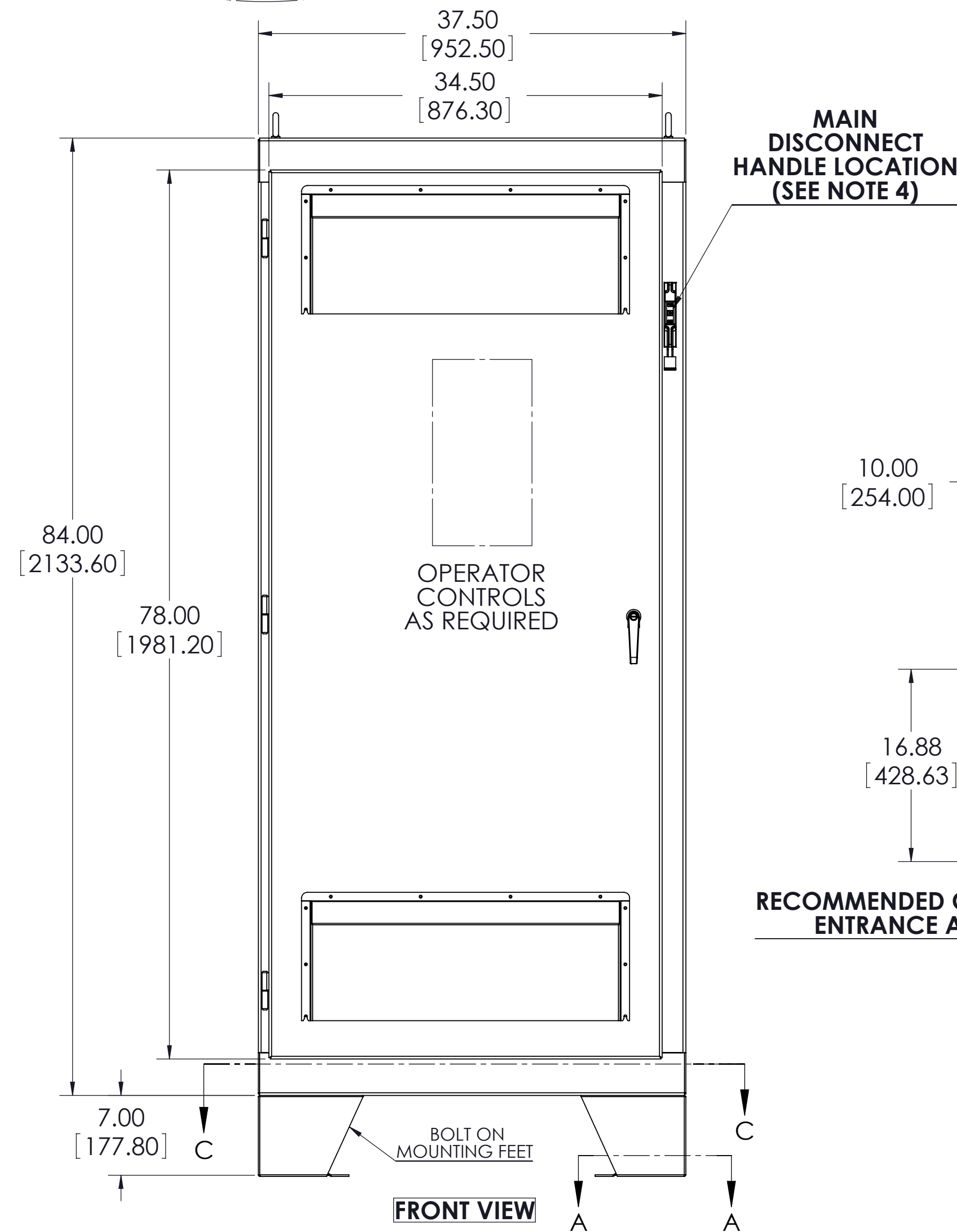
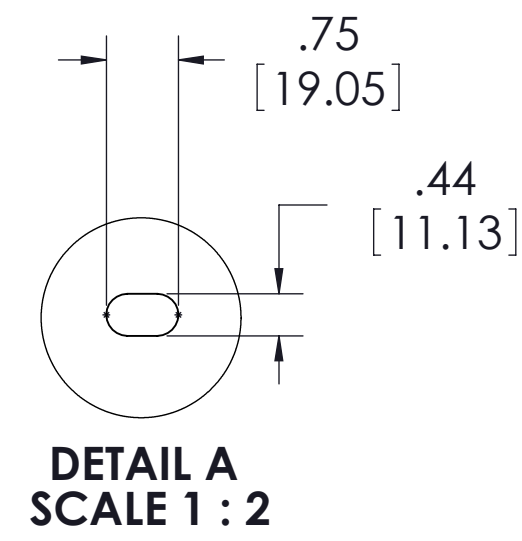
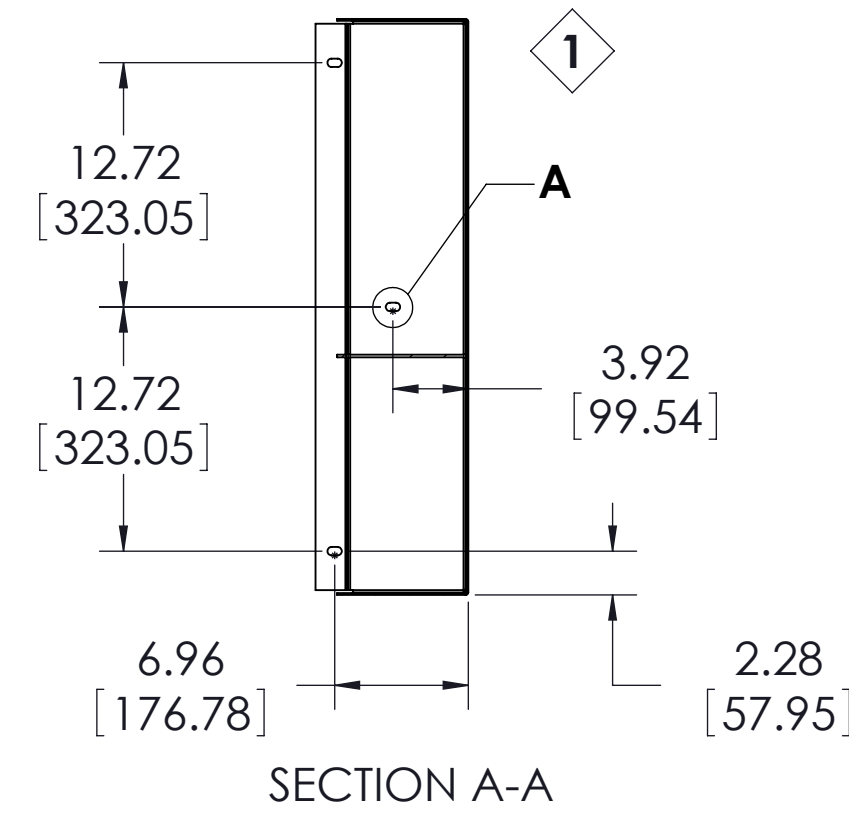
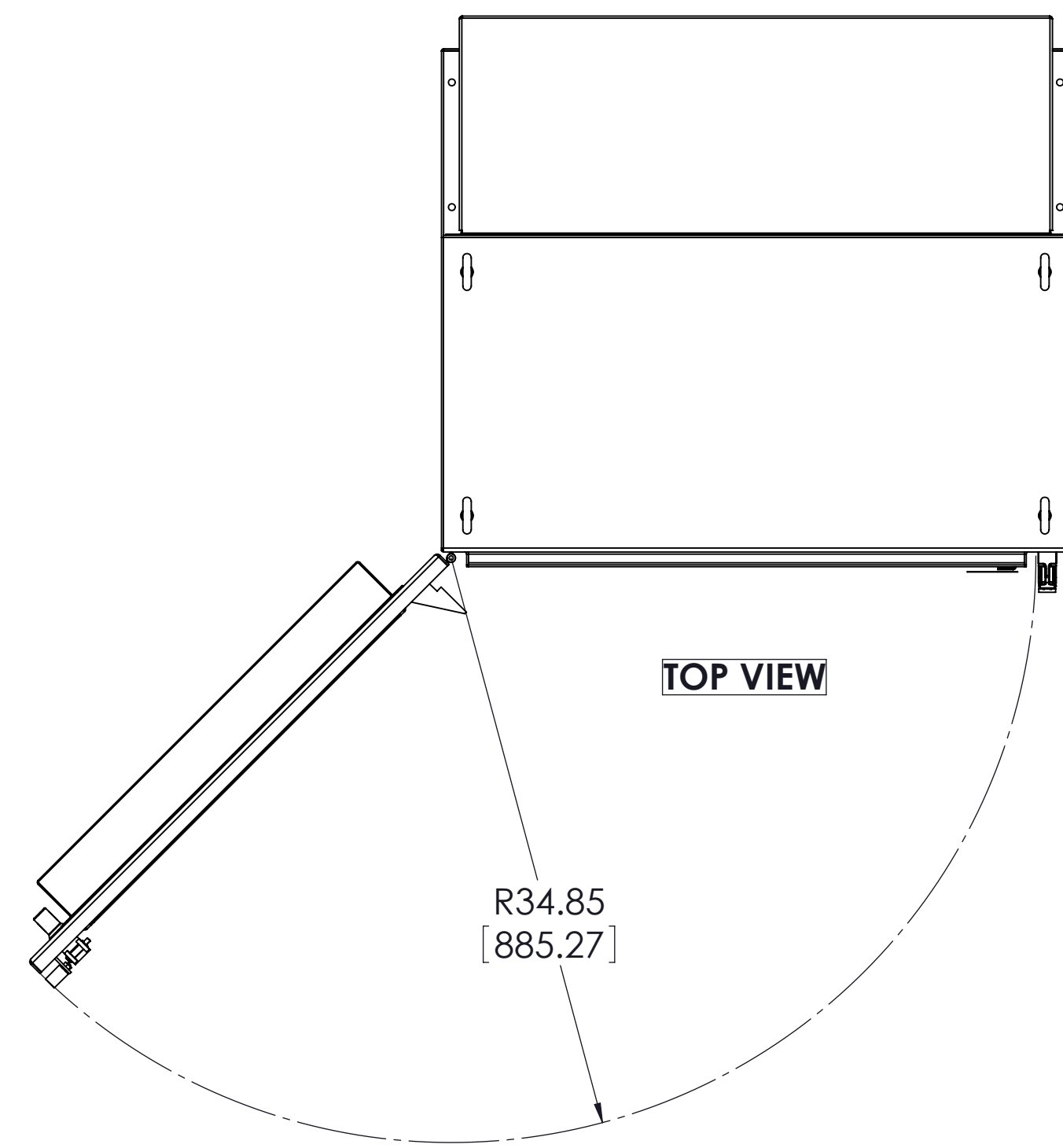


FOR REFERENCE ONLY UNLESS PROPERLY ENDORSED
FOR ADDITIONAL DETAILS AND SPECIFICATIONS, CONSULT MANUAL



PROJECT NAME: _____

SYSTEM/TAG#: _____

MODEL#: _____

HP: _____

AMPS: _____

VOLTS: _____

WEIGHT: _____

- NOTES:**
- MUST USE TYPE 3R RATED HUBS OR FITTINGS (OR EQUIVALENT) TO MAINTAIN ENCLOSURE RATING
 - FANS, FILTERS OR CLOSING PLATES ARE SUPPLIED WHEN OPTION MIX NECESSITATES
 - DIMENSIONS ARE IN INCHES AND [MILLIMETERS]
 - SUPPLIED WHEN FLANGE MOUNTED CB/DISCONNECT IS SPECIFIED

TOLERANCES / FINISH			DRAWN: MKK	DATE: 9.25.07	TITLE: OUTLINE DRAWING
X.X +/- 0.10 X.XX +/- 0.030 X.XXX +/- 0.015 ANGLE +/- 2 DEG. HOLES +/- .005			CHECKED: JJS	DATE: 9.25.07	TYPE 3R SINGLE DOOR
UNITS: INCHES	SCALE:	TECH: D		DATE: 9.26.07	MATERIAL# NA
THIS DOCUMENT AND INFORMATION CONTAINED HEREIN ARE CONFIDENTIAL AND CANNOT BE COPIED OR DISCLOSED IN WHOLE OR IN PART WITHOUT THE EXPRESS WRITTEN CONSENT OF YASKAWA ELECTRIC AMERICA INC.		APPROVED: JZ	DATE: 9.26.07	SIZE D	REVISION R01
		ORIGINAL DESIGN: MKK	DATE: 9.20.06	DRAWING #:	PAGE 1 OF 1
				DD.AFD.189.01	