

- NOTES:**
- 1.) MUST USE TYPE 3R RATED HUBS OR FITTINGS
  - 2.) FANS, FILTERS, OR CLOSING PLATES ARE SUPPLIED WHEN OPTION MIX NECESSITATES
  - 3.) DIMENSIONS ARE IN INCHES AND [MM]
  - 4.) SUPPLIED WHEN FLANGE MOUNTED CB/DISCONNECT IS SPECIFIED.

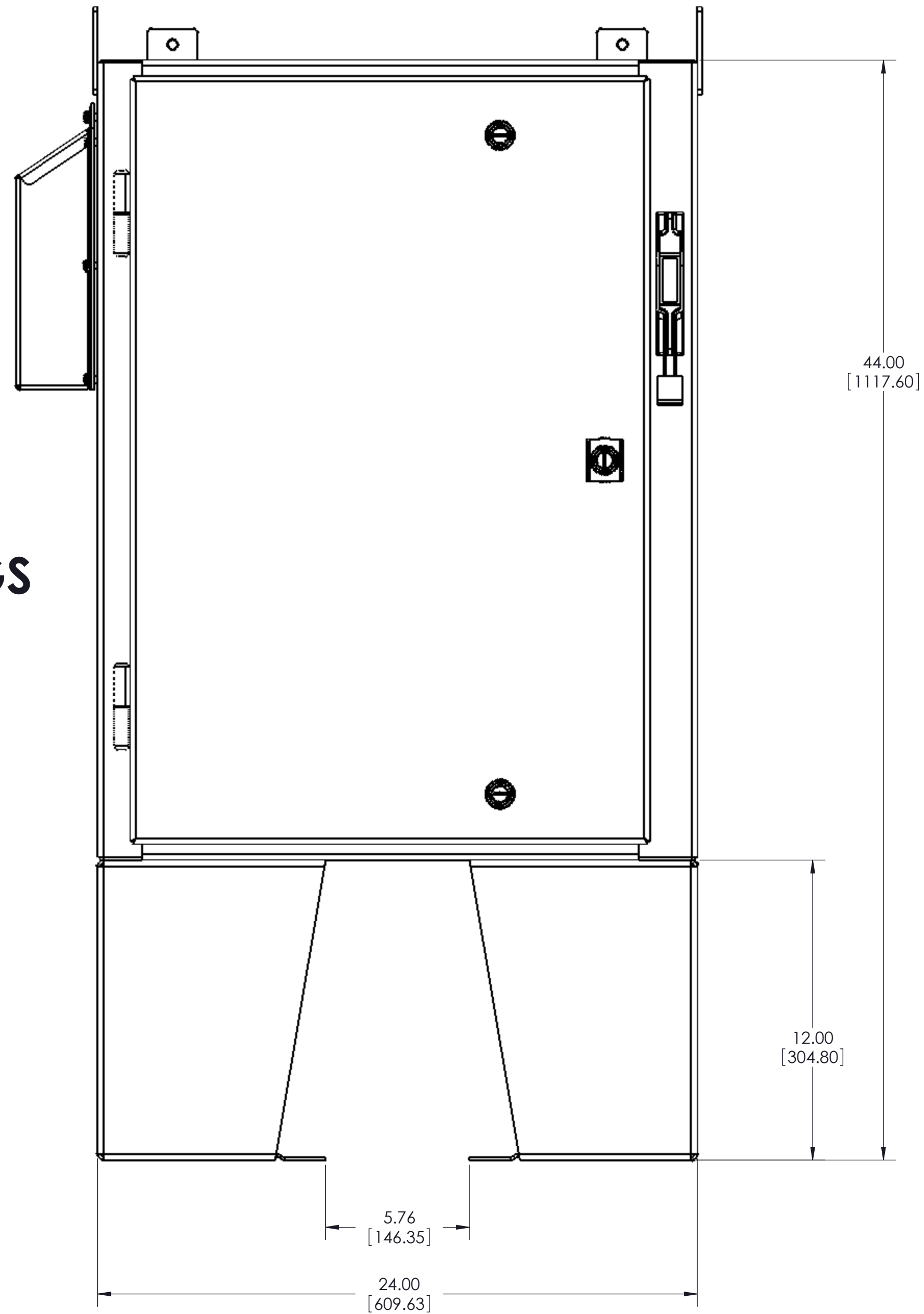
PROJECT NAME	
SYSTEM/TAG#	
MODEL#	
HP	
AMPS	
VOLTS	
WEIGHT	

**YASKAWA**

THIS DOCUMENT AND INFORMATION CONTAINED IN IT ARE CONFIDENTIAL, AND CANNOT BE COPIED OR DISCLOSED IN WHOLE OR IN PART WITHOUT THE EXPRESS WRITTEN CONSENT OF YASKAWA ELECTRIC AMERICA INC.

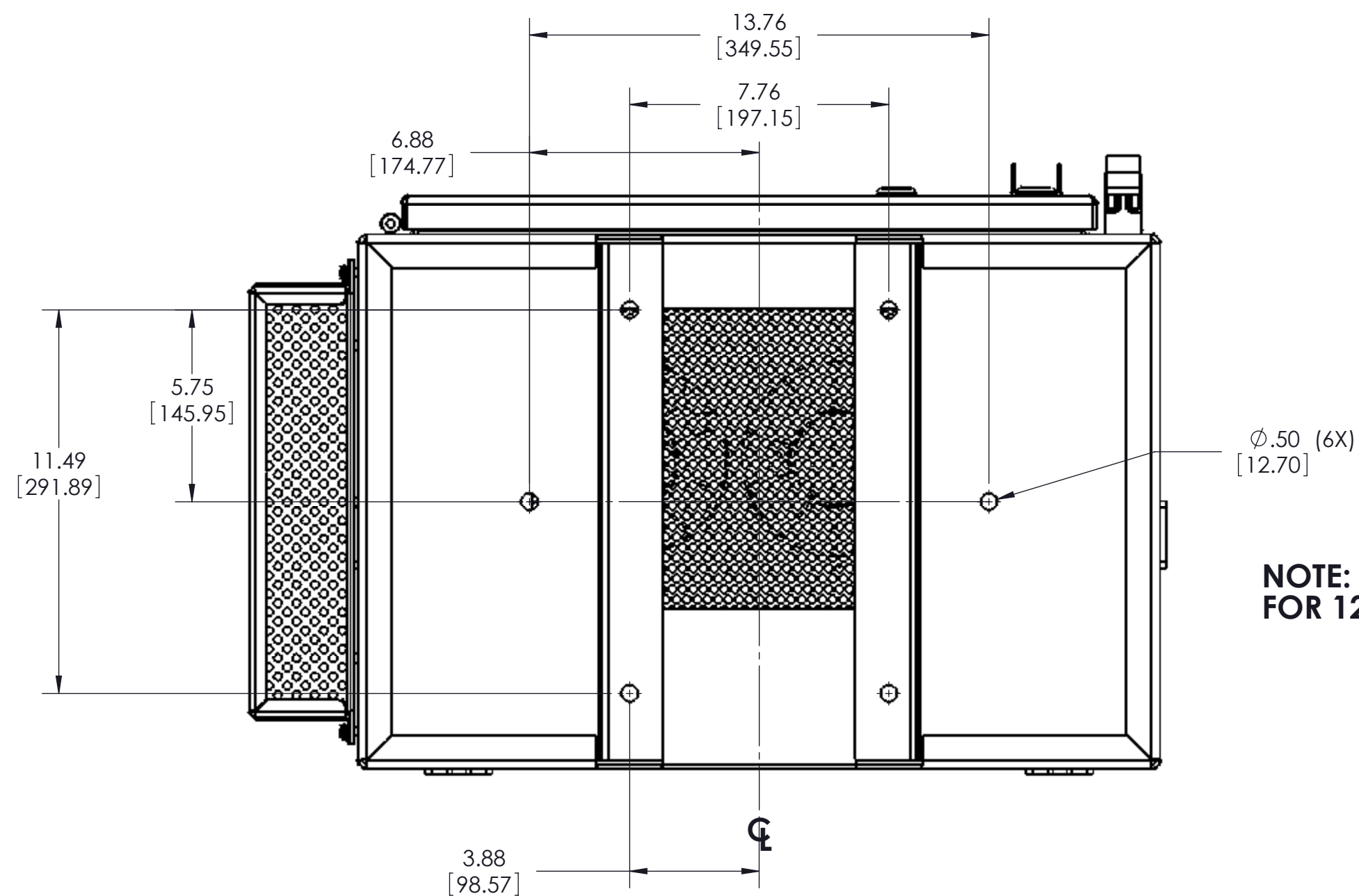
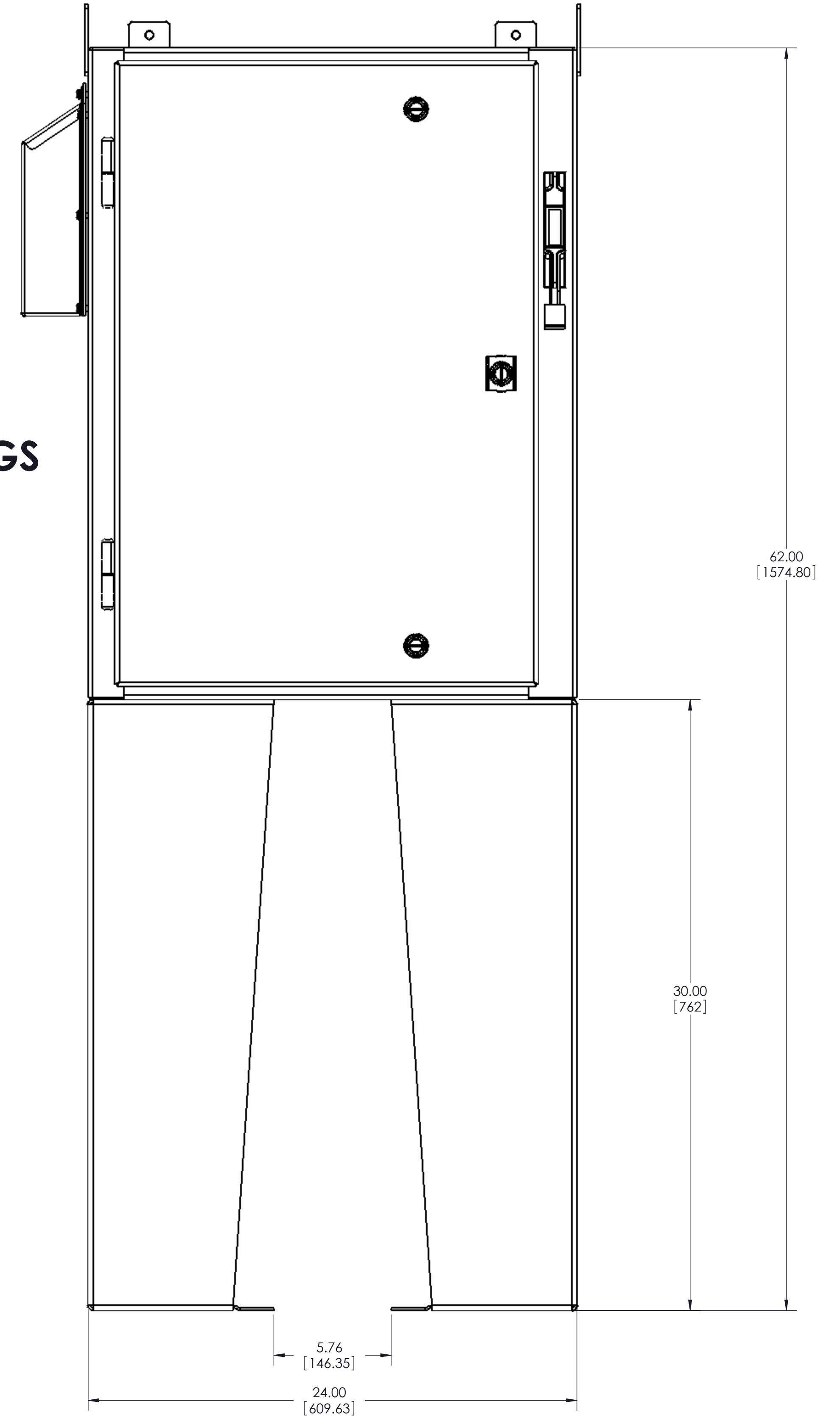
DRAWN: JJS	DATE: 10/29/09	TITLE: OUTLINE DRAWING
CHECKED: JZ	DATE: 10/29/09	TYPE 3R WALL MOUNT
TECH:	DATE:	32HX24WX16D
APPROVED: JZ	DATE: 10/29/09	SIZE: D
ORIGINAL DESIGN: MKK	DATE: 3/5/07	REVISION: R01
		PAGE: 1 OF 2
		DRAWING #: DD.AFD.198.01

12.0" HIGH LEGS



LEG STAND  
MOUNTING OPTION  
DIMENSIONS

30.0" HIGH LEGS



NOTE: DRILL PATTERN SAME  
FOR 12" AND 30" HIGH LEGS

<p>THIS DOCUMENT AND INFORMATION CONTAINED HEREIN IS CONFIDENTIAL AND CANNOT BE COPIED OR DISCLOSED IN WHOLE OR IN PART WITHOUT THE EXPRESS WRITTEN CONSENT OF YASKAWA ELECTRIC AMERICA INC.</p>	DRAWN: JJS	DATE 10/29/09	TITLE OUTLINE DRAWING TYPE 3R WALL MOUNT 32HX24WX16D	
	CHECKED: JZ	DATE 10/29/09	SIZE D	REVISION R01
	APPROVED:	DATE 10/29/09	MATERIAL#	PAGE 2 OF 2
	ORIGINAL DESIGN: MKK	DATE 3/5/07	DRAWING #:	DD.AFD.198.01