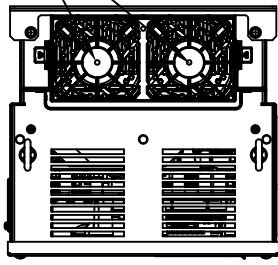
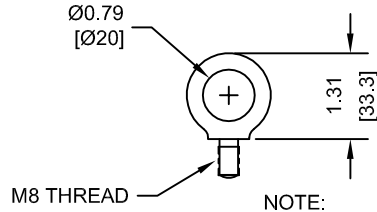


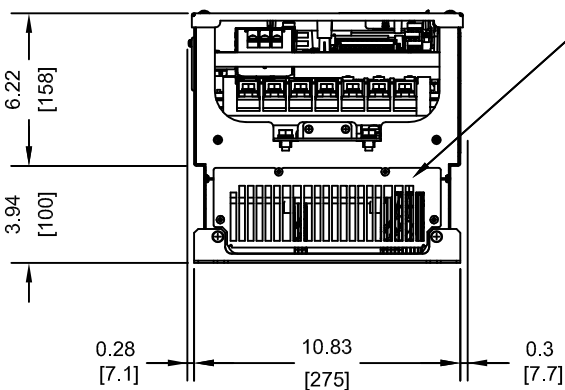
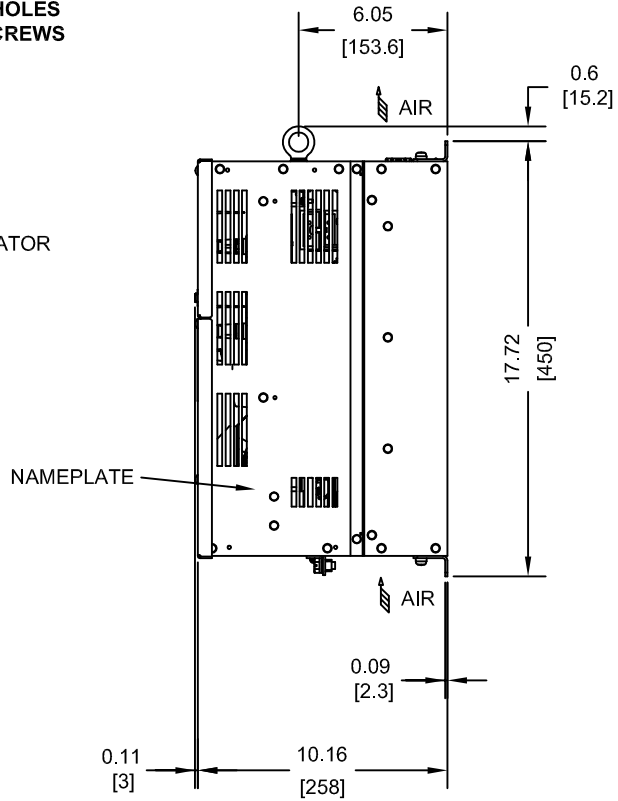
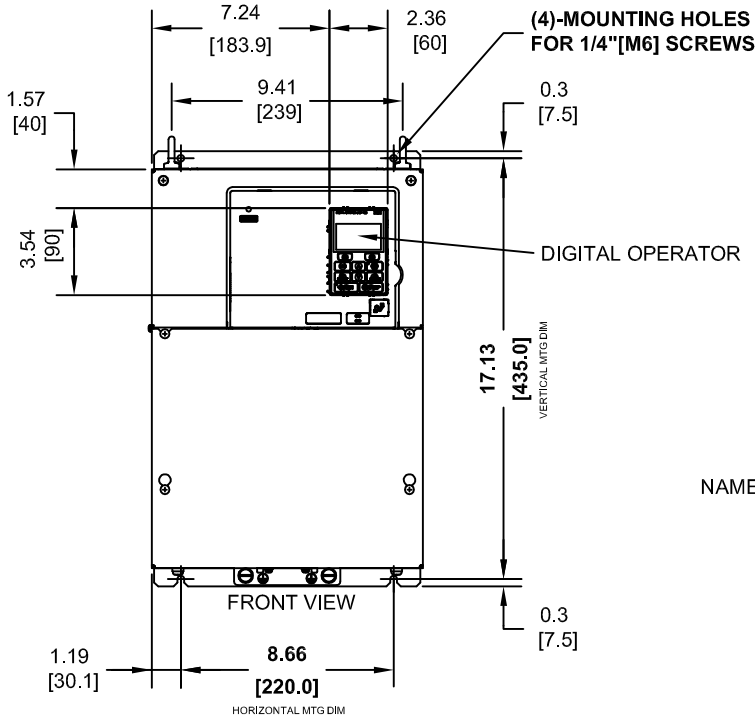
(2) EXTERNAL COOLING FANS



LIFTING AND EYEBOLT DETAILS



NOTE:
SPREADER BAR REQUIRED TO AVOID DAMAGE DURING LIFTING



WHEN USING AN EXTERNAL MOUNT HEATSINK, UL COMPLIANCE REQUIRES COVERING EXPOSED CAPACITORS IN THE MAIN CIRCUIT TO PREVENT INJURY. CONSULT MANUAL FOR DETAILS.

MODEL # CIMR-DU	VOLTAGE THREE-PHASE (VAC)	OUTPUT CAPACITY (kW)	WEIGHT LBS (Kg)	HEAT LOSS (W) (Fc=6kHz)		
				INT	EXT	TOT
2A0030AXX	200/240	30	44.0 (20.0)	134	380	514
4A0030AXX	380/480	30	46.2 (21.0)	109	263	372
4A0040AXX		40	46.2 (21.0)	201	647	848

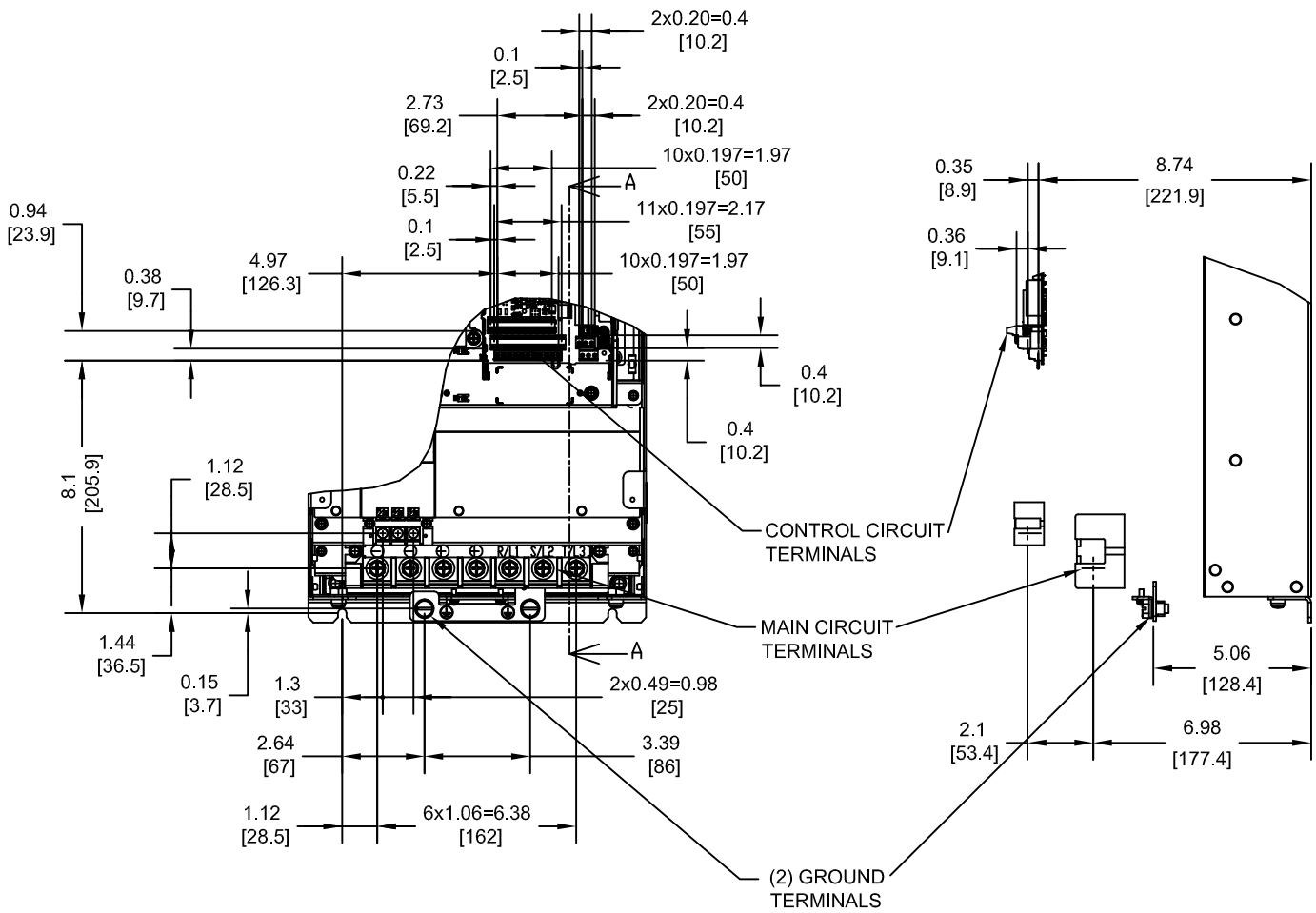
NOTES:
XX DENOTES AA-ZZ

INT=INTERNAL COMPONENTS
EXT=EXTERNAL HEATSINK
TOT=TOTAL

FOR ADDITIONAL DETAILS AND SPECIFICATIONS, CONSULT MANUAL

TOLERANCES / REFERENCES:		<p>THIS DOCUMENT AND INFORMATION CONTAINED IN IT ARE CONFIDENTIAL, AND CANNOT BE COPIED OR DISCLOSED IN WHOLE OR IN PART WITHOUT THE EXPRESS WRITTEN CONSENT OF YASKAWA AMERICA, INC.</p>	DRAWN: J. MATTAS DATE: 7-16-14	TITLE: D1000 DIMENSION DRAWING FRAME SIZE 3 IP00 ENCLOSURE 2A0030A, 4A0030A & 4A0040A
			CHECKED: J. PIOTROWSKI DATE: 7-22-14	DATE: 7-22-14
			TECH: J. BORJA DATE: 7-24-14	DATE: 7-24-14
			APPROVED: J. CAIRO DATE: 9-19-14	DATE: 9-19-14
UNITS: IN [mm]	SCALE: 1:8	ORIGINAL DESIGN: -	DATE: -	SIZE: A REVISION: R00 PAGE: 1 of 3 DRAWING #: DD.D1K.FR3.IP00

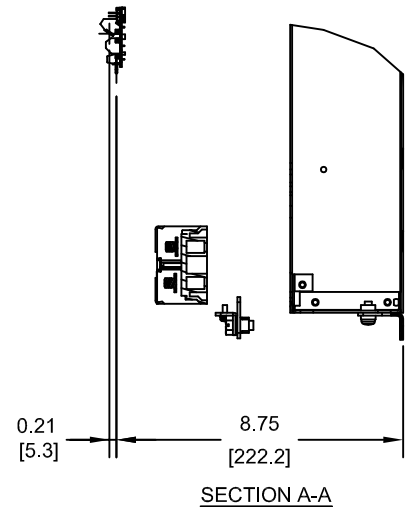
TERMINAL AND WIRING DETAILS (SCALE 1:6)



TERMINAL AND WIRE SPECIFICATIONS FOR MAIN CIRCUIT AND GROUND

MODEL # CIMR-DU	TERMINAL SYMBOL	TERMINAL SCREW	CLAMPING TORQUE lb.in.(N.m.)	WIRE RANGE AWG(mm ²)
2A0030A 4A0030A 4A0040A	R/L1, S/L2, T/L3, ⊖, ⊕	M8	47.8 TO 53.1 (5.4 TO 6)	6-2/0 (13.3-67.4)
	r1/211, s1/221, t1/231	M4	9.7 TO 10.6 (1.1 TO 1.2)	14-10 (2.0-5.2)
	⊕	M8	79.7 TO 97.4 (9.0 TO 11)	8-6 (8.3-13.3)

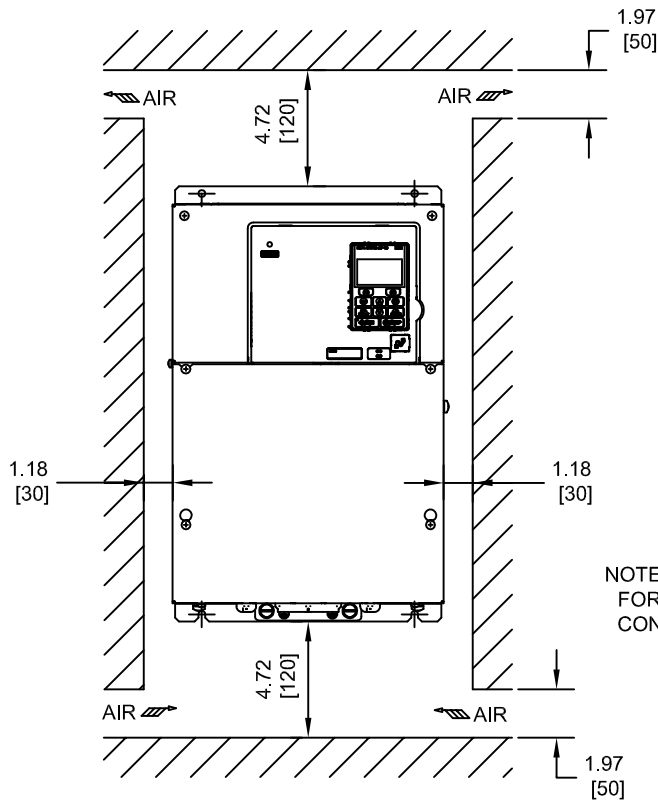
NOTE: REFER TO APPLICABLE CODES FOR PROPER WIRE TYPE AND SIZE



FOR ADDITIONAL DETAILS AND SPECIFICATIONS, CONSULT MANUAL

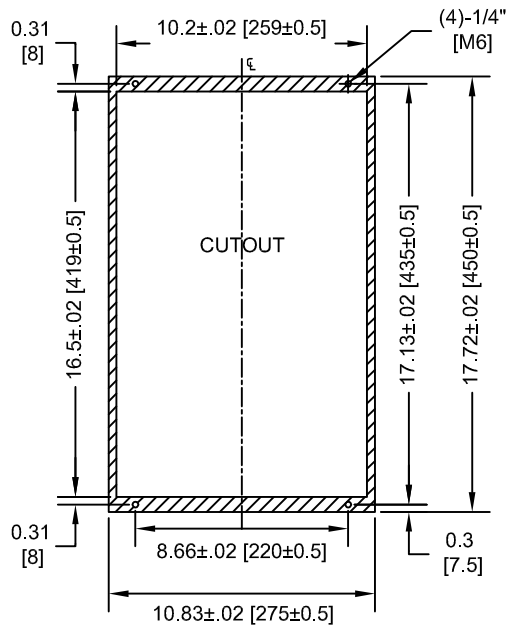
TOLERANCES / REFERENCES:			DRAWN: J. MATTAS DATE: 7-16-14	TITLE: D1000 DIMENSION DRAWING FRAME SIZE 3 IP00 ENCLOSURE 2A0030A, 4A0030A & 4A0040A	
UNITS: IN [mm]			CHECKED: J. PIOTROWSKI DATE: 7-22-14	SIZE A	REVISION R00
SCALE: BY VIEW		THIS DOCUMENT AND INFORMATION CONTAINED IN IT ARE CONFIDENTIAL, AND CANNOT BE COPIED OR DISCLOSED IN WHOLE OR IN PART WITHOUT THE EXPRESS WRITTEN CONSENT OF YASKAWA AMERICA, INC.	TECH: J. BORJA DATE: 7-24-14	APPROVED: J. CAIRO DATE: 9-19-14	DRAWING #: DD.D1K.FR3.IP00
		ORIGINAL DESIGN:	DATE:		

MINIMUM INSTALLATION CLEARANCES (SCALE 1:8)



NOTE:
FOR SIDE-BY-SIDE MOUNTING
CONSULT MANUAL

PANEL CUTOUT FOR EXTERNAL HEATSINK
MOUNTING CONFIGURATION (SCALE 1:8)



NOTE:
EXPOSED HEATSINK DEPTH
D=3.94" MINUS PANEL THICKNESS

FOR ADDITIONAL DETAILS AND SPECIFICATIONS, CONSULT MANUAL

TOLERANCES / REFERENCES:			DRAWN: J. MATTAS DATE: 7-16-14	TITLE: D1000 DIMENSION DRAWING FRAME SIZE 3 IP00 ENCLOSURE 2A0030A, 4A0030A & 4A0040A
			CHECKED: J. PIOTROWSKI DATE: 7-22-14	REVISION R00
		THIS DOCUMENT AND INFORMATION CONTAINED IN IT ARE CONFIDENTIAL, AND CANNOT BE COPIED OR DISCLOSED IN WHOLE OR IN PART WITHOUT THE EXPRESS WRITTEN CONSENT OF YASKAWA AMERICA, INC.	TECH: J. BORJA DATE: 7-24-14	PAGE 3 of 3
UNITS: IN [mm]	SCALE: BY VIEW	APPROVED: J. CAIRO DATE: 9-19-14	ORIGINAL DESIGN: -	DRAWING #: DD.D1K.FR3.IP00