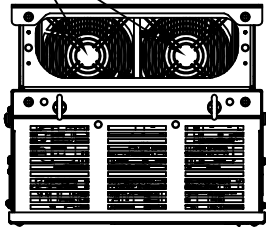
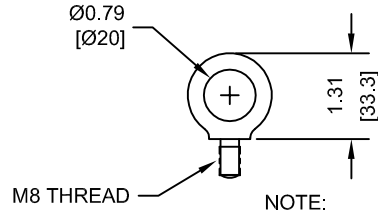


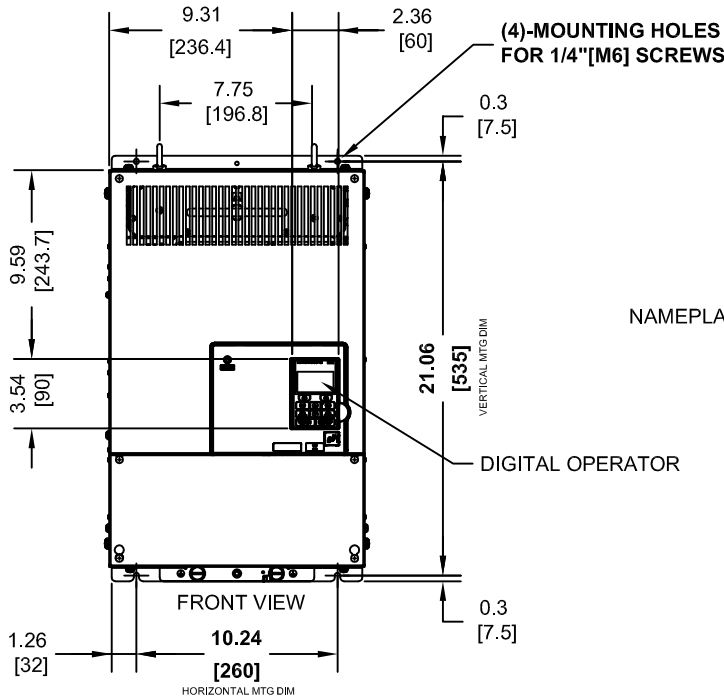
(2) EXTERNAL COOLING FANS



LIFTING AND EYEBOLT DETAILS



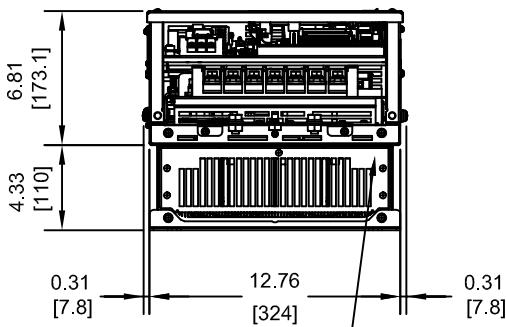
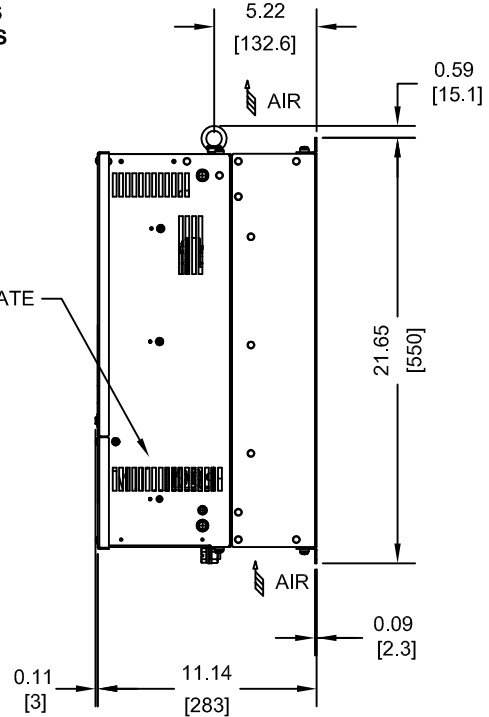
NOTE:
SPREADER BAR REQUIRED TO AVOID DAMAGE DURING LIFTING



(4)-MOUNTING HOLES FOR 1/4" [M6] SCREWS

NAMEPLATE

DIGITAL OPERATOR



OPTIONAL CAPACITOR COVER
WHEN USING AN EXTERNAL MOUNT HEATSINK, UL COMPLIANCE REQUIRES COVERING EXPOSED CAPACITORS IN THE MAIN CIRCUIT TO PREVENT INJURY. CONSULT MANUAL FOR DETAILS.

MODEL # CIMR-DU	VOLTAGE THREE-PHASE (VAC)	OUTPUT CAPACITY (kW)	WEIGHT LBS (Kg)	HEAT LOSS (W) (Fc=SEE NOTES)		
				INT	EXT	TOT
2A0050AXX	200/240	50	70.4 (32)	245	666	911
4A0060AXX	380/480	60	74.8 (34)	334	1092	1426
4A0100AXX		100	79.2 (36)	467	1303	1770

NOTES:
XX DENOTES AA-ZZ

INT=INTERNAL COMPONENTS
EXT=EXTERNAL HEATSINK
TOT=TOTAL

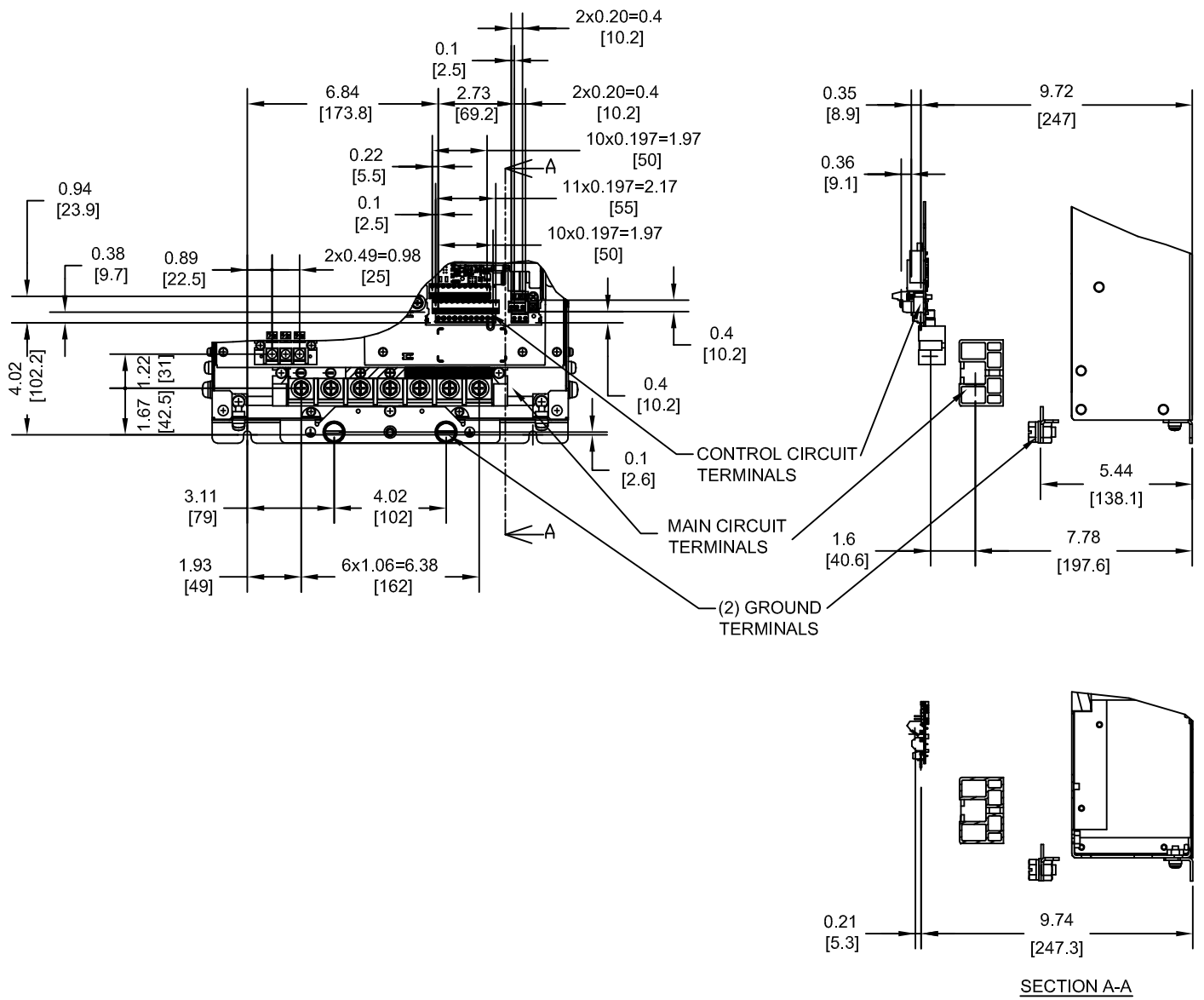
CARRIER FREQ. IS SET TO:
Fc=4kHz FOR MODELS DU2A0050A AND DU4A0100A
Fc=6kHz FOR MODEL DU4A0060A

FOR ADDITIONAL DETAILS AND SPECIFICATIONS, CONSULT MANUAL

TOLERANCES / REFERENCES:			DRAWN: J. MATTAS DATE: 7-16-14	TITLE: D1000 DIMENSION DRAWING FRAME SIZE 4 IP00 ENCLOSURE 2A0050A, 4A0060A & 4A0100A		
			CHECKED: J. PIOTROWSKI DATE: 7-22-14	TECH: J. BORJA DATE: 7-24-14	SIZE: A	REVISION: R00
UNITS: IN [mm]		SCALE: 1:10	APPROVED: J. CAIRO DATE: 9-19-14		DRAWING #: DD.D1K.FR4.IP00	
		ORIGINAL DESIGN: -				

THIS DOCUMENT AND INFORMATION CONTAINED IN IT ARE CONFIDENTIAL, AND CANNOT BE COPIED OR DISCLOSED IN WHOLE OR IN PART WITHOUT THE EXPRESS WRITTEN CONSENT OF YASKAWA AMERICA, INC.

TERMINAL AND WIRING DETAILS (SCALE 1:6)



TERMINAL AND WIRE SPECIFICATIONS FOR
MAIN CIRCUIT AND GROUND

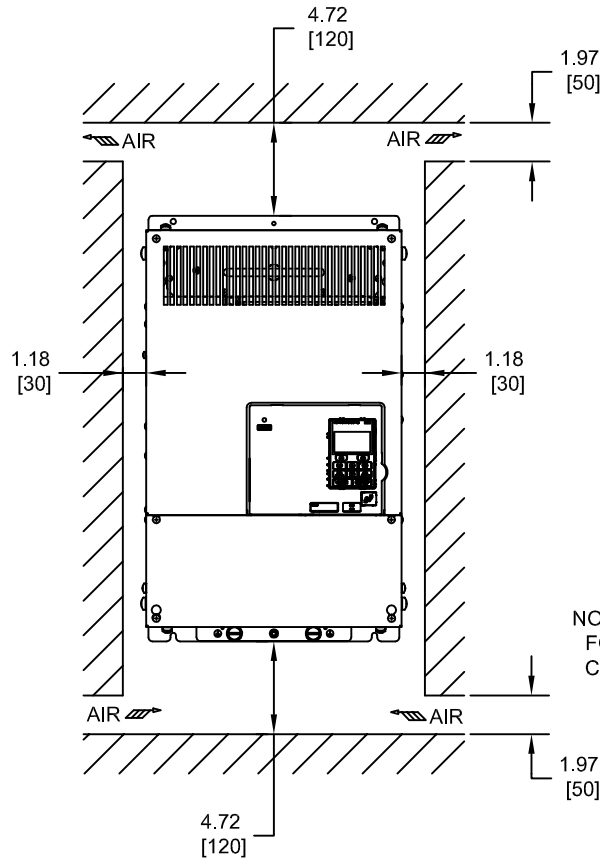
MODEL # CIMR-DU	TERMINAL SYMBOL	TERMINAL SCREW	CLAMPING TORQUE lb.in.(N.m.)	WIRE RANGE AWG(mm ²)
2A0050A 4A0060A 4A0100A	R/L1, S/L2, T/L3, ⊖, ⊕	M8	47.8 TO 53.1 (5.4 TO 6)	2-2/0 (33.6-67.4)
	r1/Ø11, d1/Ø21, t1/Ø31	M4	9.7 TO 10.6 (1.1 TO 1.2)	14-10 (2.0-5.2)
	⊕	M10	159 TO 204 (18 TO 23)	6 (13.3)

NOTE: REFER TO APPLICABLE CODES FOR PROPER WIRE TYPE AND SIZE

FOR ADDITIONAL DETAILS AND SPECIFICATIONS, CONSULT MANUAL

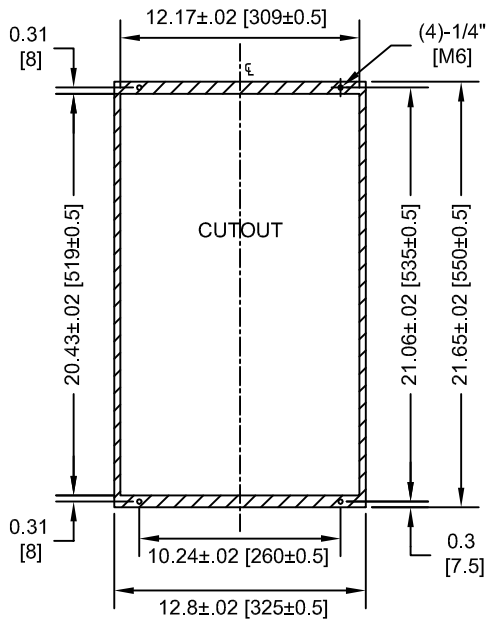
TOLERANCES / REFERENCES:			DRAWN: J. MATTAS DATE: 7-16-14	TITLE: D1000 DIMENSION DRAWING FRAME SIZE 4 IP00 ENCLOSURE 2A0050A, 4A0060A & 4A0100A
UNITS: IN [mm]			CHECKED: J. PIOTROWSKI DATE: 7-22-14	SIZE: A REVISION: R00 PAGE: 2 of 3
SCALE: BY VIEW		THIS DOCUMENT AND INFORMATION CONTAINED IN IT ARE CONFIDENTIAL, AND CANNOT BE COPIED OR DISCLOSED IN WHOLE OR IN PART WITHOUT THE EXPRESS WRITTEN CONSENT OF YASKAWA AMERICA, INC.	TECH: J. BORJA DATE: 7-24-14	DATE: 9-19-14
		APPROVED: J. CAIRO	ORIGINAL DESIGN: -	DRAWING #: DD.D1K.FR4.IP00

MINIMUM INSTALLATION CLEARANCES (SCALE 1:10)



NOTE:
FOR SIDE-BY-SIDE MOUNTING
CONSULT MANUAL

PANEL CUTOUT FOR EXTERNAL HEATSINK
MOUNTING CONFIGURATION (SCALE 1:10)



NOTE:
EXPOSED HEATSINK DEPTH
D=4.33" MINUS PANEL THICKNESS

FOR ADDITIONAL DETAILS AND SPECIFICATIONS, CONSULT MANUAL

TOLERANCES / REFERENCES:			DRAWN: J. MATTAS	DATE: 7-16-14	TITLE: D1000 DIMENSION DRAWING		
UNITS: IN [mm]	SCALE: BY VIEW		CHECKED: J. PIOTROWSKI	DATE: 7-22-14	FRAME SIZE 4 IP00 ENCLOSURE		
THIS DOCUMENT AND INFORMATION CONTAINED IN IT ARE CONFIDENTIAL, AND CANNOT BE COPIED OR DISCLOSED IN WHOLE OR IN PART WITHOUT THE EXPRESS WRITTEN CONSENT OF YASKAWA AMERICA, INC.		TECH: J. BORJA	DATE: 7-24-14	2A0050A, 4A0060A & 4A0100A			
		APPROVED: J. CAIRO	DATE: 9-19-14	SIZE: A	REVISION: R00	PAGE: 3 of 3	
		ORIGINAL DESIGN: -	DATE: -	DRAWING #: DD.D1K.FR4.IP00			