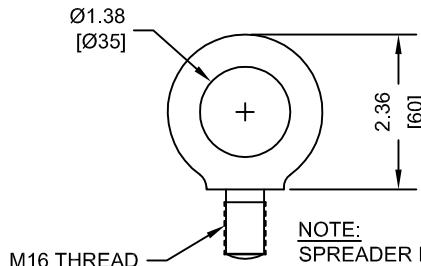
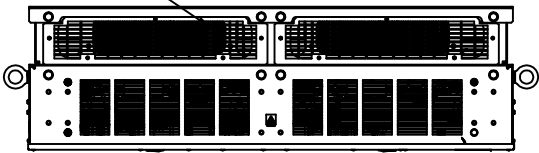
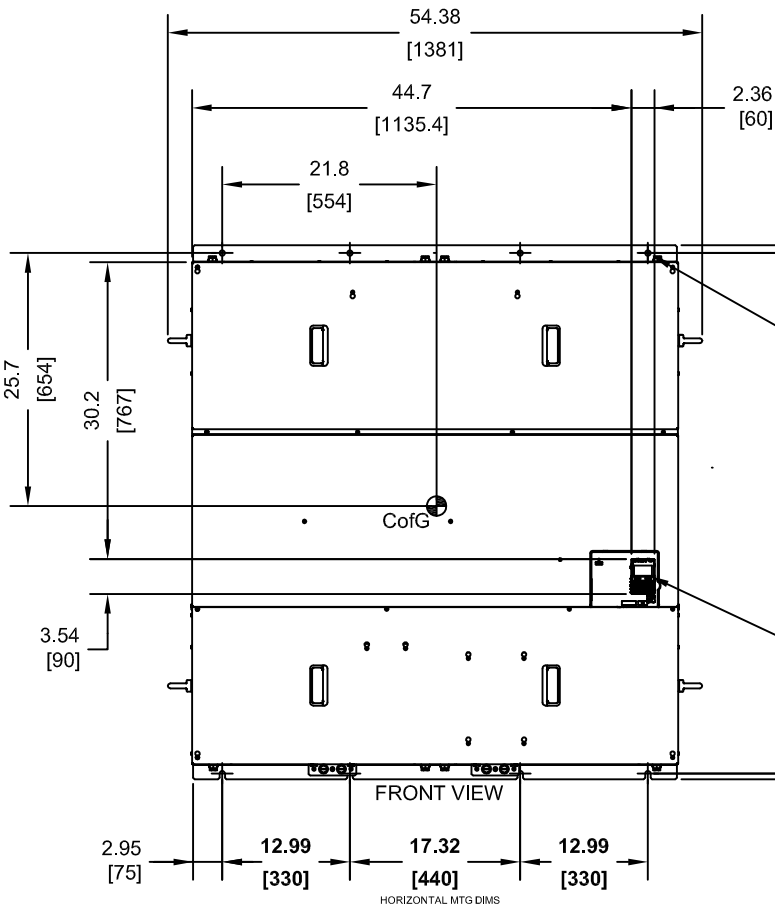


(6) EXTERNAL COOLING FANS

LIFTING AND EYEBOLT DETAILS



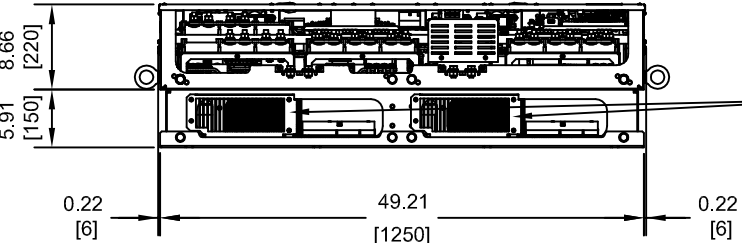
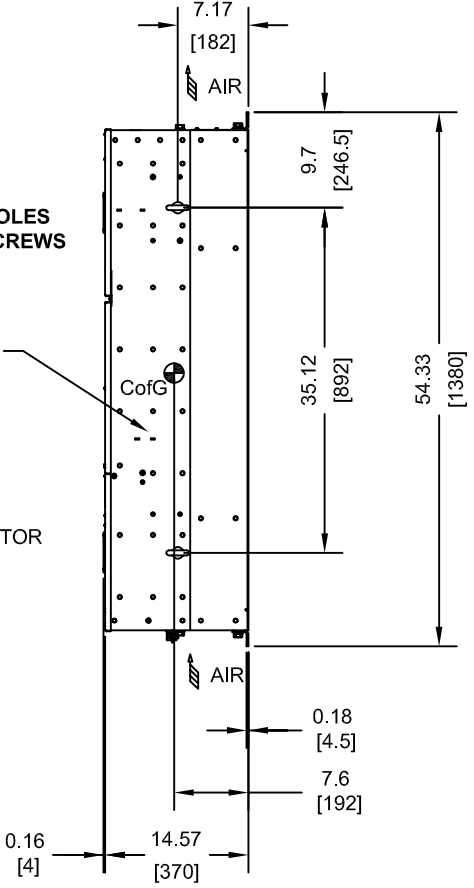
NOTE: SPREADER BAR REQUIRED TO AVOID DAMAGE DURING LIFTING



(8)-MOUNTING HOLES FOR 1/2" [M12] SCREWS

NAMEPLATE

DIGITAL OPERATOR



OPTIONAL CAPACITOR COVERS
WHEN USING AN EXTERNAL MOUNT HEATSINK, UL COMPLIANCE REQUIRES COVERING EXPOSED CAPACITORS IN THE MAIN CIRCUIT TO PREVENT INJURY. CONSULT MANUAL FOR DETAILS.

MODEL # CIMR-DU	VOLTAGE THREE-PHASE (VAC)	OUTPUT CAPACITY (kW)	WEIGHT LBS (Kg)	HEAT LOSS (W) (Fc=2kHz)		
				INT	EXT	TOT
4A0630AXX	380/480	630	909 (413)	3098	6103	9201

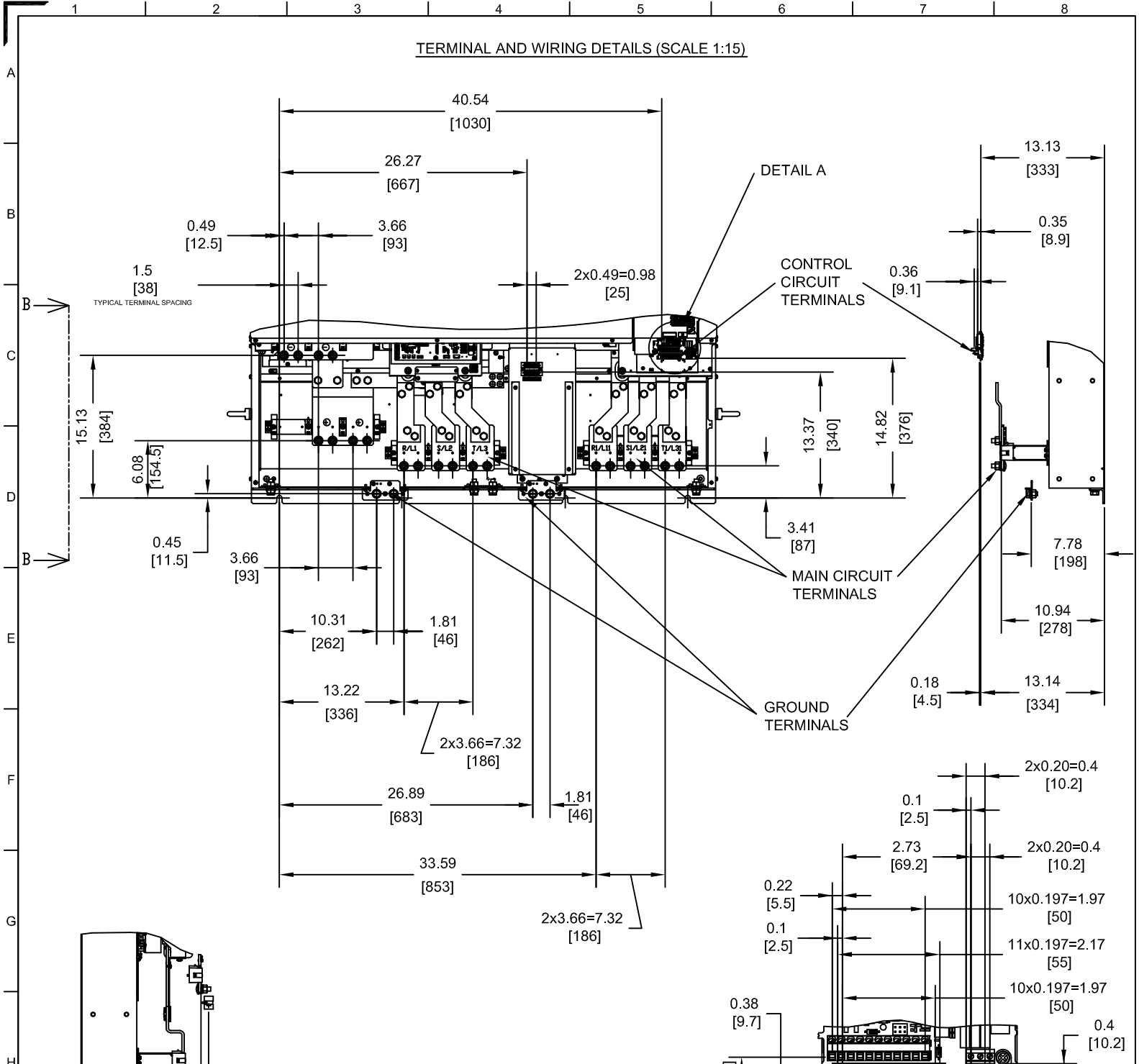
NOTE:
XX DENOTES AA-ZZ

INT=INTERNAL COMPONENTS
EXT=EXTERNAL HEATSINK
TOT=TOTAL

FOR ADDITIONAL DETAILS AND SPECIFICATIONS, CONSULT MANUAL

TOLERANCES / REFERENCES:		<p>THIS DOCUMENT AND INFORMATION CONTAINED IN IT ARE CONFIDENTIAL, AND CANNOT BE COPIED OR DISCLOSED IN WHOLE OR IN PART WITHOUT THE EXPRESS WRITTEN CONSENT OF YASKAWA AMERICA, INC.</p>	DRAWN: J. MATTAS CHECKED: J. PIOTROWSKI TECH: J. BORJA APPROVED: J. CAIRO ORIGINAL DESIGN: -	DATE: 7-21-14 DATE: 7-22-14 DATE: 7-24-14 DATE: 9-19-14 DATE: -	TITLE: D1000 DIMENSION DRAWING FRAME SIZE 8 IP00 ENCLOSURE 4A0630A	
UNITS: IN [mm]	SCALE: 1:20		SIZE A	REVISION R00	PAGE 1 of 3	
			DRAWING #: DD.D1K.FR8.IP00			

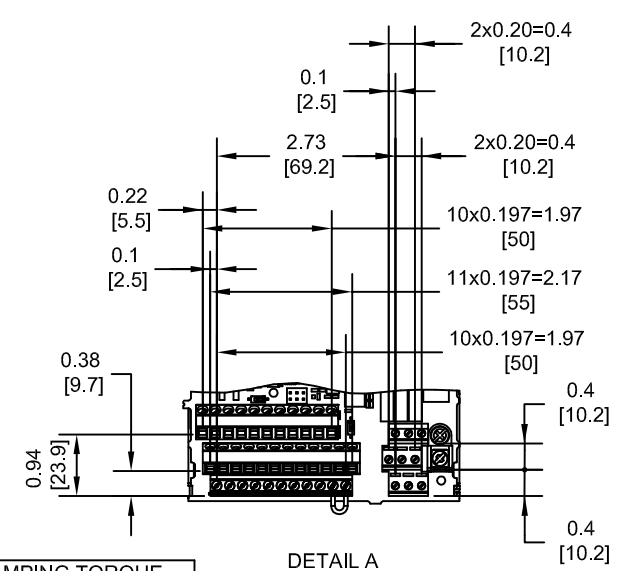
TERMINAL AND WIRING DETAILS (SCALE 1:15)



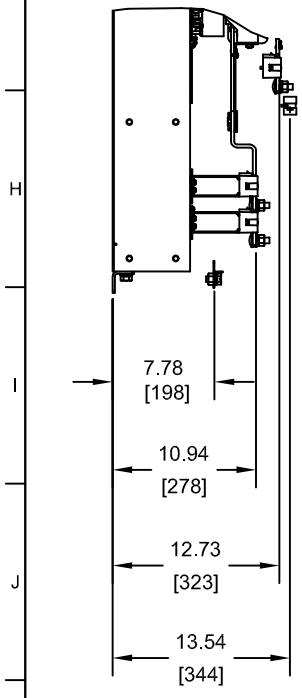
TERMINAL AND WIRE SPECIFICATIONS FOR MAIN CIRCUIT AND GROUND

MODEL # CIMR-DU	TERMINAL SYMBOL	TERMINAL SCREW	CLAMPING TORQUE lb.in.(N.m.)
4A0630A	R/L1, S/L2, T/L3, R1/L11, S1/L21, T1/L31, ⊕, ⊕	M12	283 TO 354 (32 TO 40)
	r1/⌀11, s1/⌀21, t1/⌀31	M4	9.7 TO 10.6 (1.1 TO 1.2)
	⊕	M12	283 TO 354 (32 TO 40)

NOTE: REFER TO APPLICABLE CODES FOR PROPER WIRE TYPE AND SIZE



DETAIL A

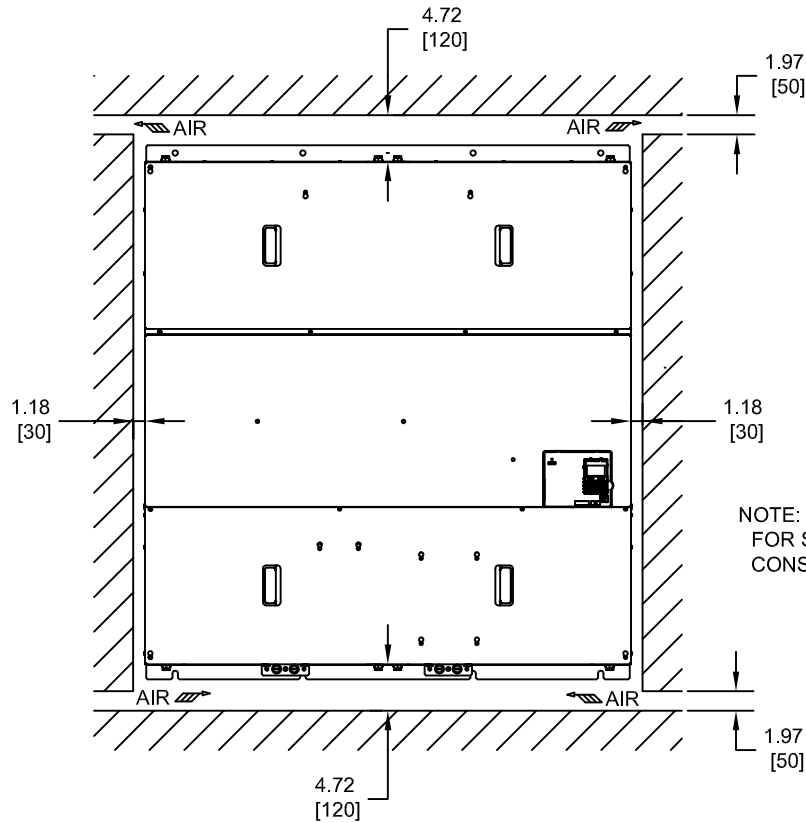


SECTION B-B

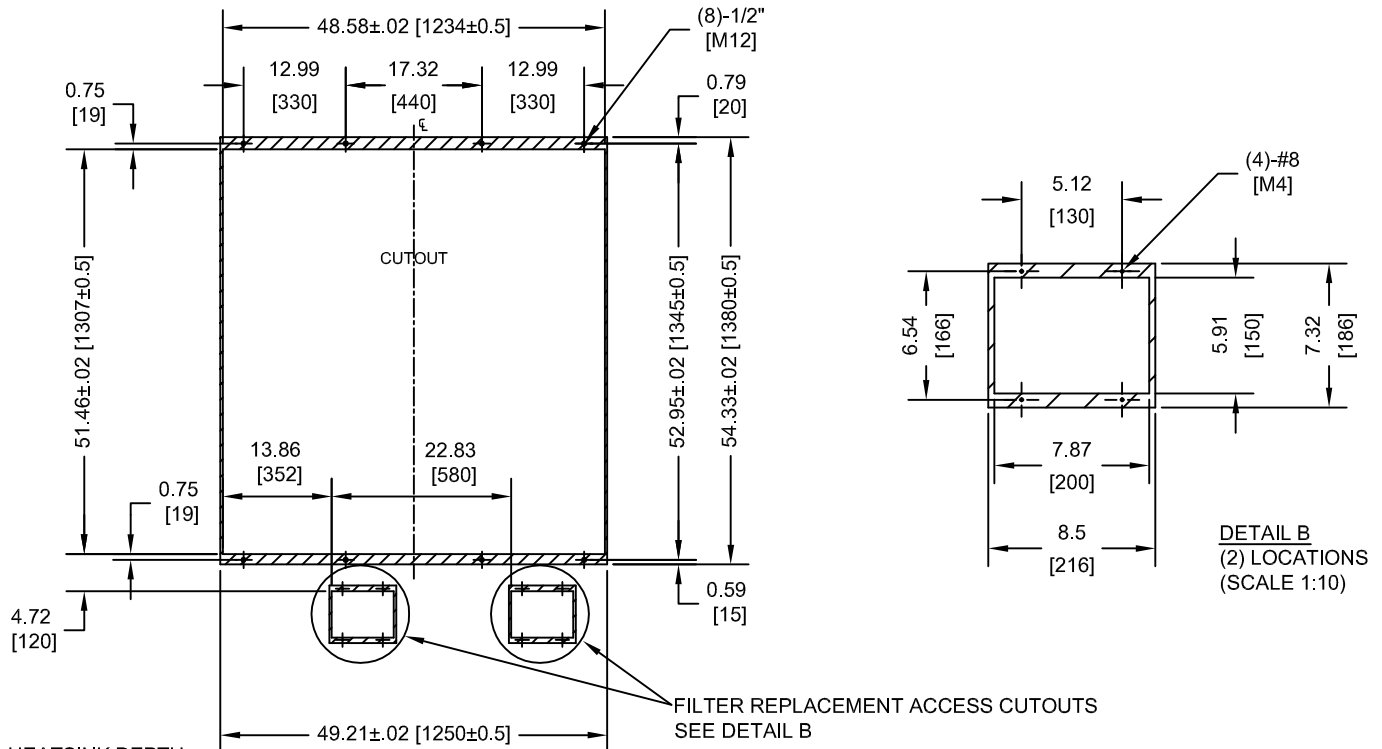
FOR ADDITIONAL DETAILS AND SPECIFICATIONS, CONSULT MANUAL

TOLERANCES / REFERENCES:			DRAWN: J. MATTAS DATE: 7-21-14	TITLE: D1000 DIMENSION DRAWING FRAME SIZE 8 IP00 ENCLOSURE 4A0630A
UNITS: IN [mm]	SCALE: BY VIEW		CHECKED: J. PIOTROWSKI DATE: 7-22-14	TECH: J. BORJA DATE: 7-24-14
THIS DOCUMENT AND INFORMATION CONTAINED IN IT ARE CONFIDENTIAL, AND CANNOT BE COPIED OR DISCLOSED IN WHOLE OR IN PART WITHOUT THE EXPRESS WRITTEN CONSENT OF YASKAWA AMERICA, INC.		APPROVED: J. CAIRO DATE: 9-19-14	ORIGINAL DESIGN: - DATE: -	SIZE: A REVISION: R00 PAGE: 2 of 3
			DRAWING #: DD.D1K.FR8.IP00	

MINIMUM INSTALLATION CLEARANCES (SCALE 1:20)



PANEL CUTOUT FOR EXTERNAL HEATSINK MOUNTING CONFIGURATION (SCALE 1:25)



NOTE:
EXPOSED HEATSINK DEPTH
D=5.91" MINUS PANEL THICKNESS

FOR ADDITIONAL DETAILS AND SPECIFICATIONS, CONSULT MANUAL

TOLERANCES / REFERENCES:		<p>THIS DOCUMENT AND INFORMATION CONTAINED IN IT ARE CONFIDENTIAL, AND CANNOT BE COPIED OR DISCLOSED IN WHOLE OR IN PART WITHOUT THE EXPRESS WRITTEN CONSENT OF YASKAWA AMERICA, INC.</p>	DRAWN: J. MATTAS CHECKED: J. PIOTROWSKI TECH: J. BORJA APPROVED: J. CAIRO ORIGINAL DESIGN: -	DATE: 7-21-14 DATE: 7-22-14 DATE: 7-24-14 DATE: 9-19-14 DATE: -	TITLE: D1000 DIMENSION DRAWING FRAME SIZE 8 IP00 ENCLOSURE 4A0630A
UNITS: IN [mm]	SCALE: BY VIEW		SIZE: A	REVISION: R00	PAGE: 3 of 3
			DRAWING #: DD.D1K.FR8.IP00		