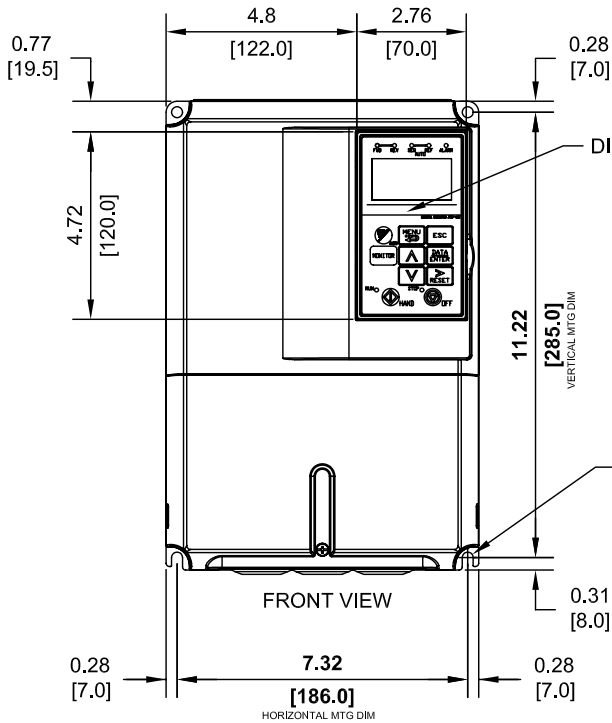


TOP PROTECTIVE COVER

NOTE:
 PROTECTIVE COVERS ARE FACTORY INSTALLED TO THE TOP AND BOTTOM OF THE DRIVE TO MEET IP20 & NEMA TYPE 1 REQUIREMENTS, RESULTING IN AN AMBIENT TEMPERATURE RATING OF 104F(40C). REMOVE THESE COVERS WHEN OPERATING THE DRIVE WITHIN A PANEL TO OBTAIN THE MAXIMUM SURROUNDING AIR TEMPERATURE RATING OF 113F(45C). REMOVING THESE COVERS RESULTS IN AN ENCLOSURE RATING OF IP00.

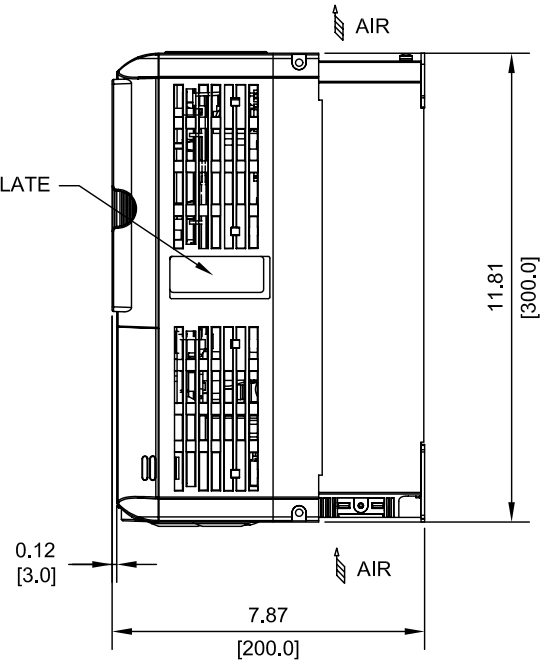


DIGITAL OPERATOR

NAMEPLATE

(4)-MOUNTING HOLES FOR 1/4"[M6] SCREWS

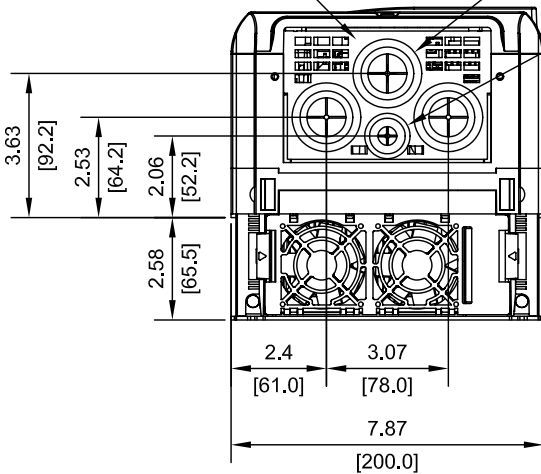
FRONT VIEW
 HORIZONTAL MTG DIM



BOTTOM PROTECTIVE COVER

(3)-Ø1.38 [35] HOLE WITH RUBBER BUSHING

Ø0.87 [22] HOLE WITH RUBBER BUSHING



MODEL # CIMR-E7U	VOLTAGE (VAC)	OUTPUT CURRENT (A)	WEIGHT LBS (Kg)	HEAT LOSS (W)		
				INT	EXT	TOTAL
27P5	208/240	31.0	13.2 (6.0)	113	219	332
47P5	480	17.0	13.2 (6.0)	114	193	307
49P0		21.0	13.2 (6.0)	149	197	346
4011		27.0	13.2 (6.0)	158	232	390

INT=INTERNAL COMPONENTS
 EXT=EXTERNAL HEATSINK

FOR ADDITIONAL DETAILS AND SPECIFICATIONS, CONSULT MANUAL

CONFIDENTIAL

THIS DOCUMENT AND THE INFORMATION CONTAINED IN IT ARE CONFIDENTIAL, AND CANNOT BE COPIED OR DISCLOSED IN WHOLE OR IN PART WITHOUT THE EXPRESSED WRITTEN CONSENT OF YASKAWA ELECTRIC AMERICA INC.

TOLERANCES/REFERENCES:

UNITS:	SCALE:
IN[mm]	1:5



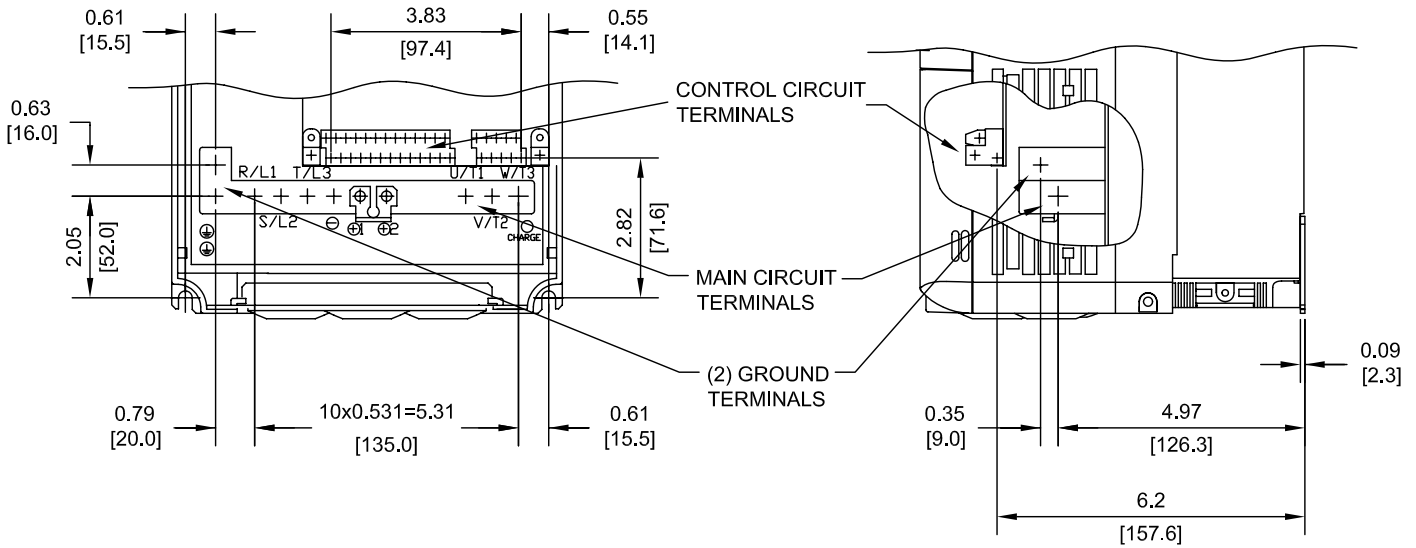
YASKAWA ELECTRIC AMERICA, INC.
 Corporate Headquarters
 2121 Norman Drive South
 Waukegan, IL 60085
 1-800-YASKAWA
<http://www.yaskawa.com>

DRAWN: J. MATTAS	DATE 4-4-05
CHECKED: M. RUCINSKI	DATE 5-3-05
TECH: J. CAIRO	DATE 4-7-05
APPROVED: T. SASADA	DATE 6-6-05
ORIGINAL DESIGN: -	DATE -

TITLE: E7 DIMENSION DRAWING FRAME SIZE 3A NEMA TYPE 1/IP20 AND IP00 E7U27P5, 47P5 TO 4011		
SIZE A	REVISION R01	PAGE 1 of 3

DRAWING #:
DD.E7.FR3A.N1.01

TERMINAL AND WIRING DETAILS (SCALE 1:4)



TERMINAL AND WIRE SPECIFICATIONS FOR
MAIN CIRCUIT AND GROUND

MODEL # CIMR-E7U	TERMINAL SYMBOL	TERMINAL SCREW	CLAMPING TORQUE lb.in.(N.m.)	WIRE RANGE AWG(mm ²)
27P5	R/L1, S/L2, T/L3, ⊖, ⊕1, ⊕2, U/T1, V/T2, W/T3, ⊕	M5	20.4 TO 22.1 (2.3 TO 2.5)	10-6 (5.5-14)
47P5	R/L1, S/L2, T/L3, ⊖, ⊕1, ⊕2, U/T1, V/T2, W/T3	M4	12.1 TO 15.6 (1.4 TO 1.8)	10-6 (5.5-14)
	⊕			12-10 (3.5-5.5)
49P0, 4011	R/L1, S/L2, T/L3, ⊖, ⊕1, ⊕2, U/T1, V/T2, W/T3, ⊕	M5	20.4 TO 22.1 (2.3 TO 2.5)	10-6 (5.5-14)

NOTE: REFER TO APPLICABLE CODES FOR PROPER WIRE TYPE AND SIZE

CONFIDENTIAL

THIS DOCUMENT AND THE INFORMATION CONTAINED IN IT ARE CONFIDENTIAL, AND CANNOT BE COPIED OR DISCLOSED IN WHOLE OR IN PART WITHOUT THE EXPRESSED WRITTEN CONSENT OF YASKAWA ELECTRIC AMERICA INC.

TOLERANCES/REFERENCES: - - - - - -	
UNITS: IN[mm]	SCALE: BY VIEW

YASKAWA
A World of Automation Solutions™

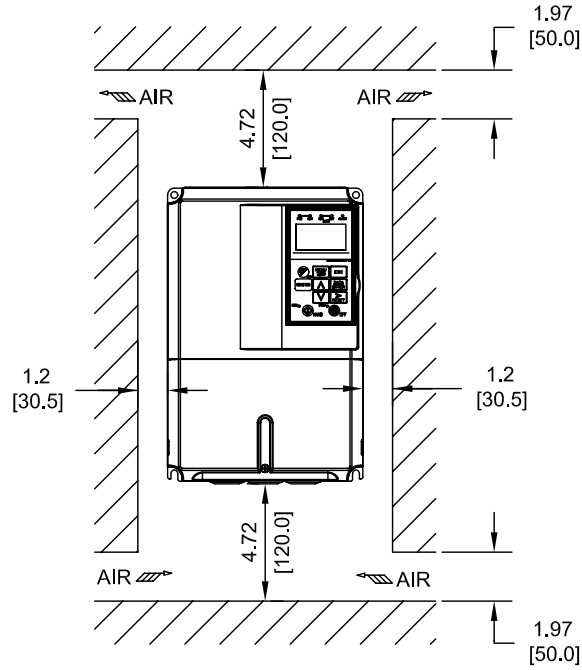
YASKAWA ELECTRIC AMERICA, INC.
Corporate Headquarters
2121 Norman Drive South
Waukegan, IL 60085
1-800-YASKAWA
<http://www.yaskawa.com>

DRAWN: J. MATTAS	DATE 4-4-05
CHECKED: M. RUCINSKI	DATE 5-3-05
TECH: J. CAIRO	DATE 4-7-05
APPROVED: T. SASADA	DATE 6-6-05
ORIGINAL DESIGN: -	DATE -

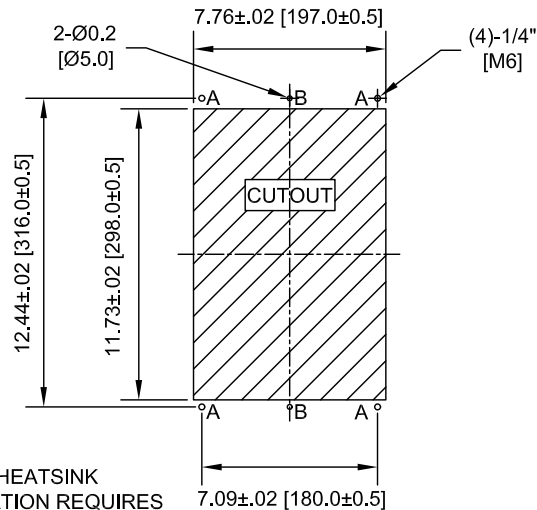
TITLE: E7 DIMENSION DRAWING FRAME SIZE 3A NEMA TYPE 1/IP20 AND IP00 E7U27P5, 47P5 TO 4011		
SIZE A	REVISION R01	PAGE 2 of 3
DRAWING #: DD.E7.FR3A.N1.01		

FOR ADDITIONAL DETAILS AND SPECIFICATIONS, CONSULT MANUAL

MINIMUM INSTALLATION CLEARANCES (SCALE 1:8)



PANEL CUTOUT FOR EXTERNAL HEATSINK MOUNTING CONFIGURATION (SCALE 1:8)



NOTES:

1. EXTERNAL HEATSINK CONFIGURATION REQUIRES MOUNTING KIT
2. EXPOSED HEATSINK DEPTH $D=2.58$ " MINUS PANEL THICKNESS

FOR ADDITIONAL DETAILS AND SPECIFICATIONS, CONSULT MANUAL

CONFIDENTIAL

THIS DOCUMENT AND THE INFORMATION CONTAINED IN IT ARE CONFIDENTIAL, AND CANNOT BE COPIED OR DISCLOSED IN WHOLE OR IN PART WITHOUT THE EXPRESSED WRITTEN CONSENT OF YASKAWA ELECTRIC AMERICA INC.

TOLERANCES/REFERENCES: - - - - - - -		 YASKAWA <i>A World of Automation Solutions™</i> YASKAWA ELECTRIC AMERICA, INC. Corporate Headquarters 2121 Norman Drive South Waukegan, IL 60085 1-800-YASKAWA http://www.yaskawa.com	DRAWN: J. MATTAS	DATE 4-4-05	TITLE: E7 DIMENSION DRAWING FRAME SIZE 3A NEMA TYPE 1/IP20 AND IP00 E7U27P5, 47P5 TO 4011		
UNITS: IN[mm]			SCALE: BY VIEW	CHECKED: M. RUCINSKI		DATE 5-3-05	SIZE A
			TECH: J. CAIRO	DATE 4-7-05	DRAWING #: DD.E7.FR3A.N1.01		
			APPROVED: T. SASADA	DATE 6-6-05			
			ORIGINAL DESIGN: -	DATE -			