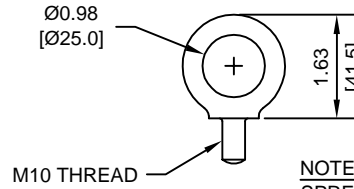
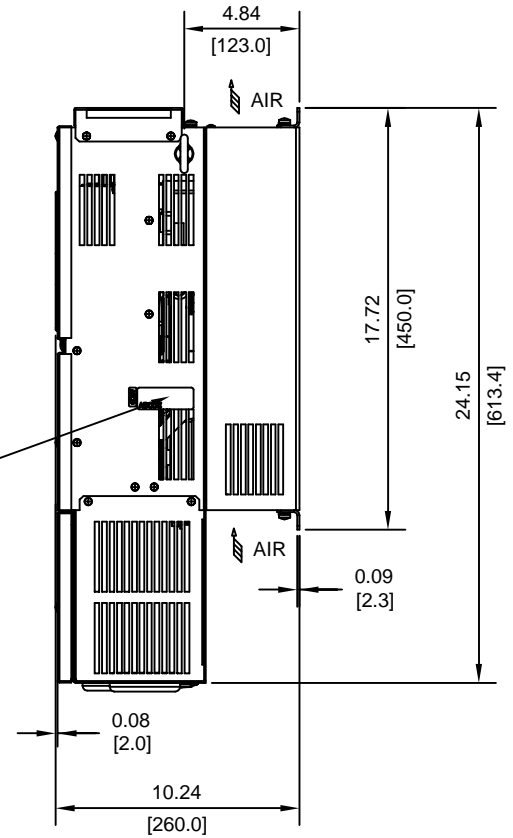
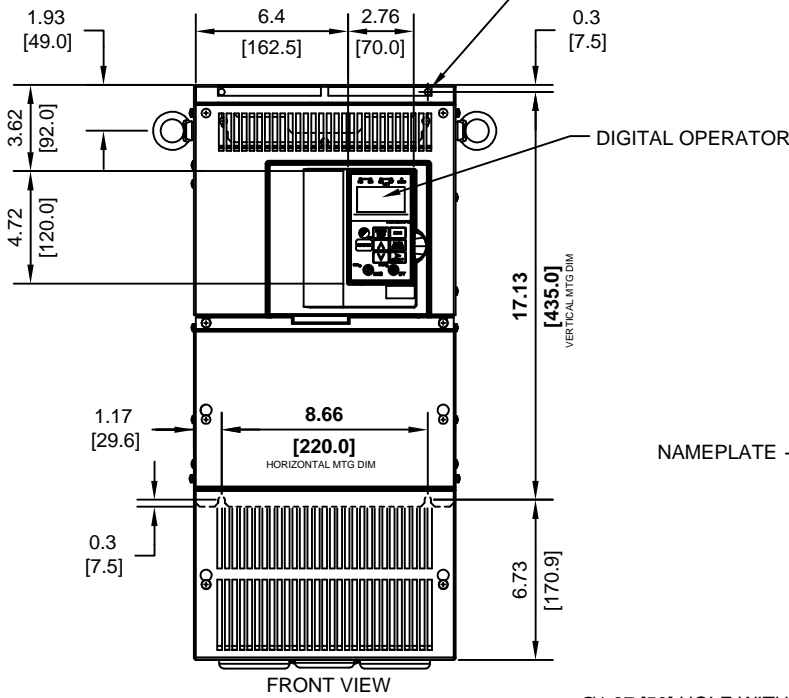


(2) EXTERNAL COOLING FANS

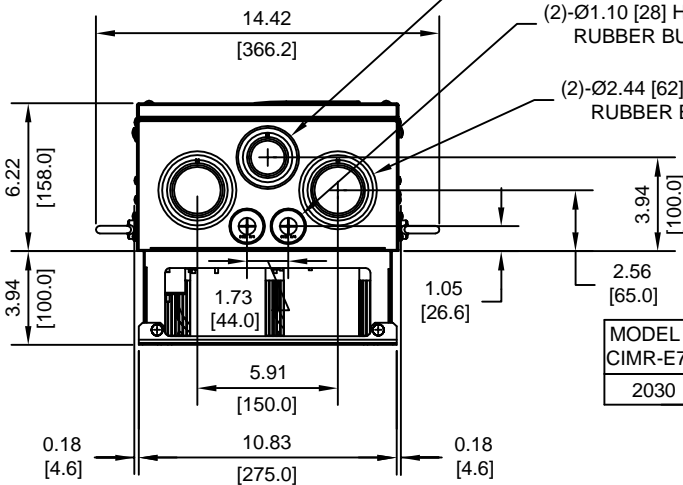
LIFTING AND EYEBOLT DETAILS



(4)-MOUNTING HOLES FOR 1/4" [M6] SCREWS



- Ø1.97 [50] HOLE WITH RUBBER BUSHING
- (2)-Ø1.10 [28] HOLE WITH RUBBER BUSHING
- (2)-Ø2.44 [62] HOLE WITH RUBBER BUSHING



MODEL #	VOLTAGE (VAC)	OUTPUT CURRENT (A)	WEIGHT LBS (Kg)	HEAT LOSS (W)		
				INT	EXT	TOTAL
CIMR-E7U	208/240	115	59 (27)	334	883	1217

INT=INTERNAL COMPONENTS
EXT=EXTERNAL HEATSINK

FOR ADDITIONAL DETAILS AND SPECIFICATIONS, CONSULT MANUAL

TOLERANCES/REFERENCES:

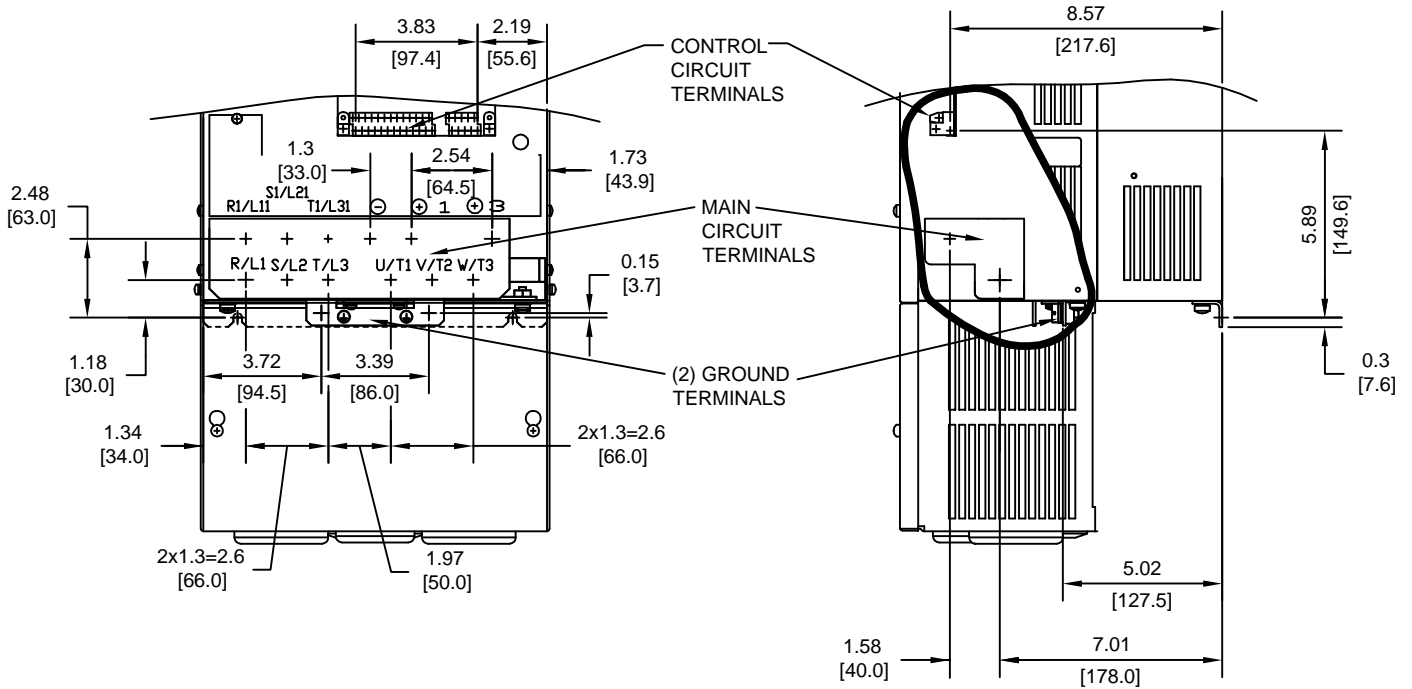
UNITS: IN[mm] SCALE: 1:8

YASKAWA
A World of Automation Solutions™

YASKAWA ELECTRIC AMERICA, INC.
Corporate Headquarters
2121 Norman Drive South
Waukegan, IL 60085
1-800-YASKAWA
http://www.yaskawa.com

DRAWN: J. MATTAS	DATE 4-12-05	TITLE: E7 DIMENSION DRAWING
CHECKED: M. RUCINSKI	DATE 6-5-05	FRAME SIZE 6A
TECH: J. CAIRO	DATE 4-13-05	NEMA TYPE 1/IP20 ENCLOSURE
APPROVED: T. SASADA	DATE 6-8-05	E7U2030
ORIGINAL DESIGN: -	DATE -	SIZE: A REVISION: R00 PAGE: 1 of 3
DRAWING #: DD.E7.FR6A.N1.01		

TERMINAL AND WIRING DETAILS (SCALE 1:6)




TERMINAL AND WIRE SPECIFICATIONS FOR MAIN CIRCUIT AND GROUND

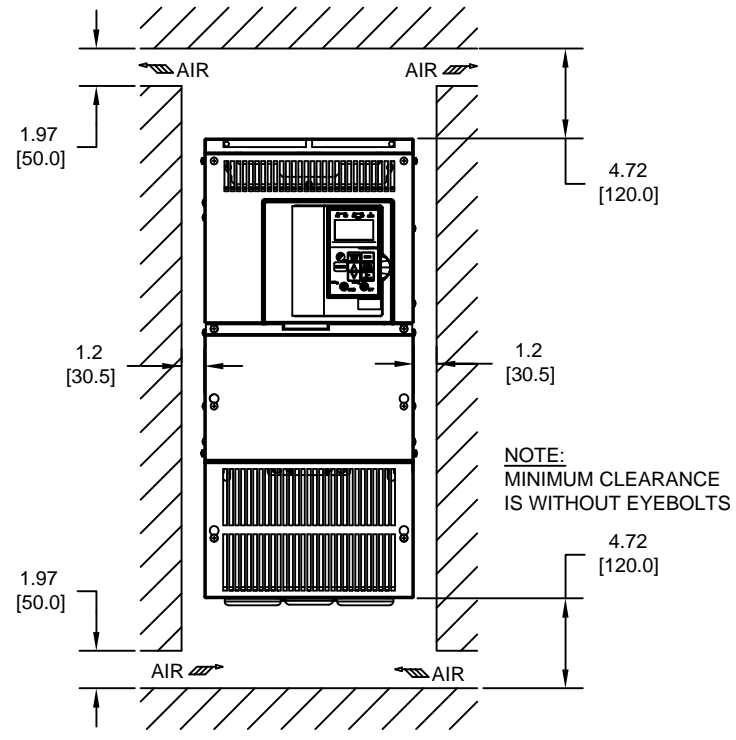
MODEL #	TERMINAL SYMBOL	TERMINAL SCREW	CLAMPING TORQUE lb.in.(N.m.)	WIRE RANGE AWG(mm ²)
2030	R/L1, S/L2, T/L3, ⊖, ⊕1, R1/L11, S1/L21, T1/L31, U/T1, V/T2, W/T3	M8	79.2 TO 88.0 (9.0 TO 10.0)	8-1/0 (8-60)
	⊕3	M6	35.2 TO 44.0 (4.0 TO 5.0)	8-4 (8-22)
	⊖	M8	79.2 TO 88.0 (9.0 TO 10.0)	SEE NOTE

NOTE: REFER TO APPLICABLE CODES FOR PROPER WIRE TYPE AND SIZE

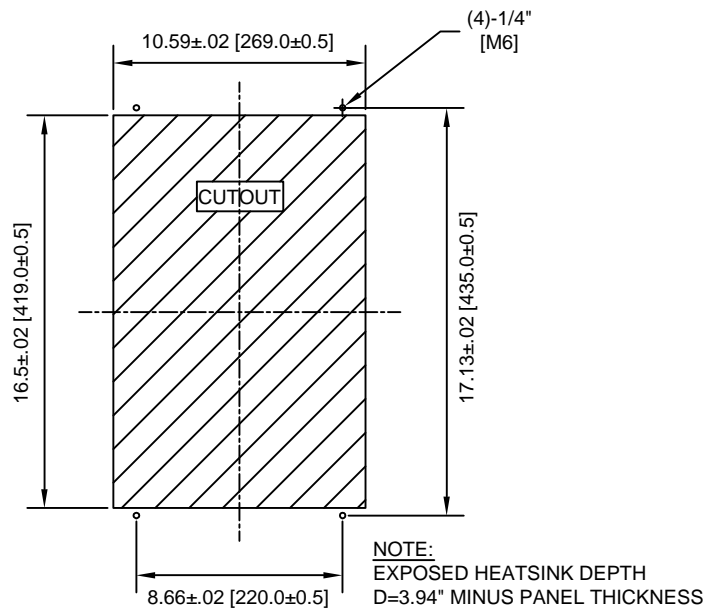
FOR ADDITIONAL DETAILS AND SPECIFICATIONS, CONSULT MANUAL

TOLERANCES/REFERENCES: - - - - - -	 YASKAWA <i>A World of Automation Solutions™</i> YASKAWA ELECTRIC AMERICA, INC. Corporate Headquarters 2121 Norman Drive South Waukegan, IL 60085 1-800-YASKAWA http://www.yaskawa.com	DRAWN: J. MATTAS	DATE 4-12-05	TITLE: E7 DIMENSION DRAWING		
		CHECKED: M. RUCINSKI	DATE 6-5-05	FRAME SIZE 6A		
		TECH: J. CAIRO	DATE 4-13-05	NEMA TYPE 1/IP20 ENCLOSURE		
		APPROVED: T. SASADA	DATE 6-8-05	E7U2030		
UNITS: IN[mm]	SCALE: BY VIEW	ORIGINAL DESIGN: -	DATE -	SIZE A	REVISION R00	PAGE 2 of 3
				DRAWING #: DD.E7.FR6A.N1.01		


MINIMUM INSTALLATION CLEARANCES (SCALE 1:10)



PANEL CUTOUT FOR EXTERNAL HEATSINK MOUNTING CONFIGURATION (SCALE 1:8)



FOR ADDITIONAL DETAILS AND SPECIFICATIONS, CONSULT MANUAL

TOLERANCES/REFERENCES: -		 YASKAWA <i>A World of Automation Solutions™</i> YASKAWA ELECTRIC AMERICA, INC. Corporate Headquarters 2121 Norman Drive South Waukegan, IL 60085 1-800-YASKAWA http://www.yaskawa.com	DRAWN: J. MATTAS	DATE: 4-12-05	TITLE: E7 DIMENSION DRAWING		
UNITS: IN[mm]	SCALE: BY VIEW		CHECKED: M. RUCINSKI	DATE: 6-5-05	FRAME SIZE 6A		
		TECH: J. CAIRO	DATE: 4-13-05	NEMA TYPE 1/IP20 ENCLOSURE			
		APPROVED: T. SASADA	DATE: 6-8-05	SIZE: A	REVISION: R00	PAGE: 3 of 3	
		ORIGINAL DESIGN: -	DATE: -	DRAWING #: DD.E7.FR6A.N1.01			