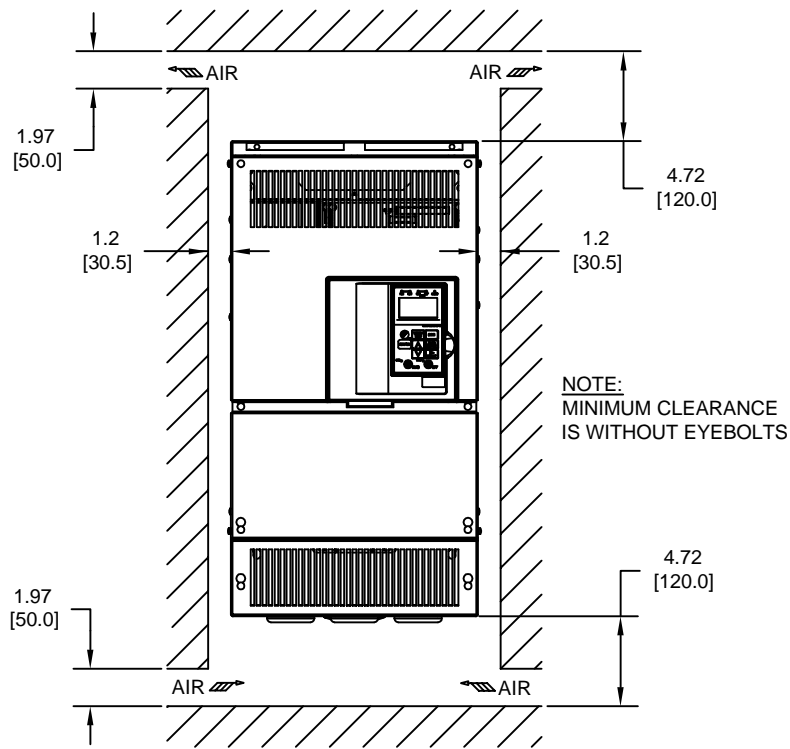
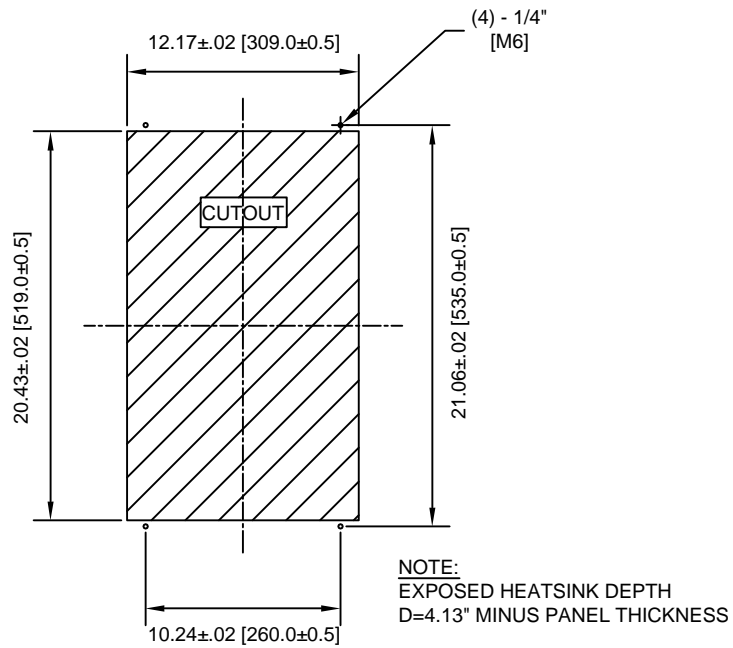



MINIMUM INSTALLATION CLEARANCES (SCALE 1:10)



PANEL CUTOUT FOR EXTERNAL HEATSINK MOUNTING CONFIGURATION (SCALE 1:10)



FOR ADDITIONAL DETAILS AND SPECIFICATIONS, CONSULT MANUAL

TOLERANCES/REFERENCES: - - - - - -	 YASKAWA <i>A World of Automation Solutions™</i> YASKAWA ELECTRIC AMERICA, INC. Corporate Headquarters 2121 Norman Drive South Waukegan, IL 60085 1-800-YASKAWA http://www.yaskawa.com	DRAWN: J. MATTAS	DATE 4-27-05	TITLE: E7 DIMENSION DRAWING		
		CHECKED: M. RUCINSKI	DATE 6-6-05	FRAME SIZE 9A		
UNITS: IN[mm]	SCALE: BY VIEW	TECH: J. CAIRO	DATE 4-28-05	SIZE A	REVISION R00	PAGE 3 of 3
		APPROVED: T. SASADA	DATE 6-6-05	DRAWING #: DD.E7.FR9A.N1.01		
		ORIGINAL DESIGN: -	DATE -			