

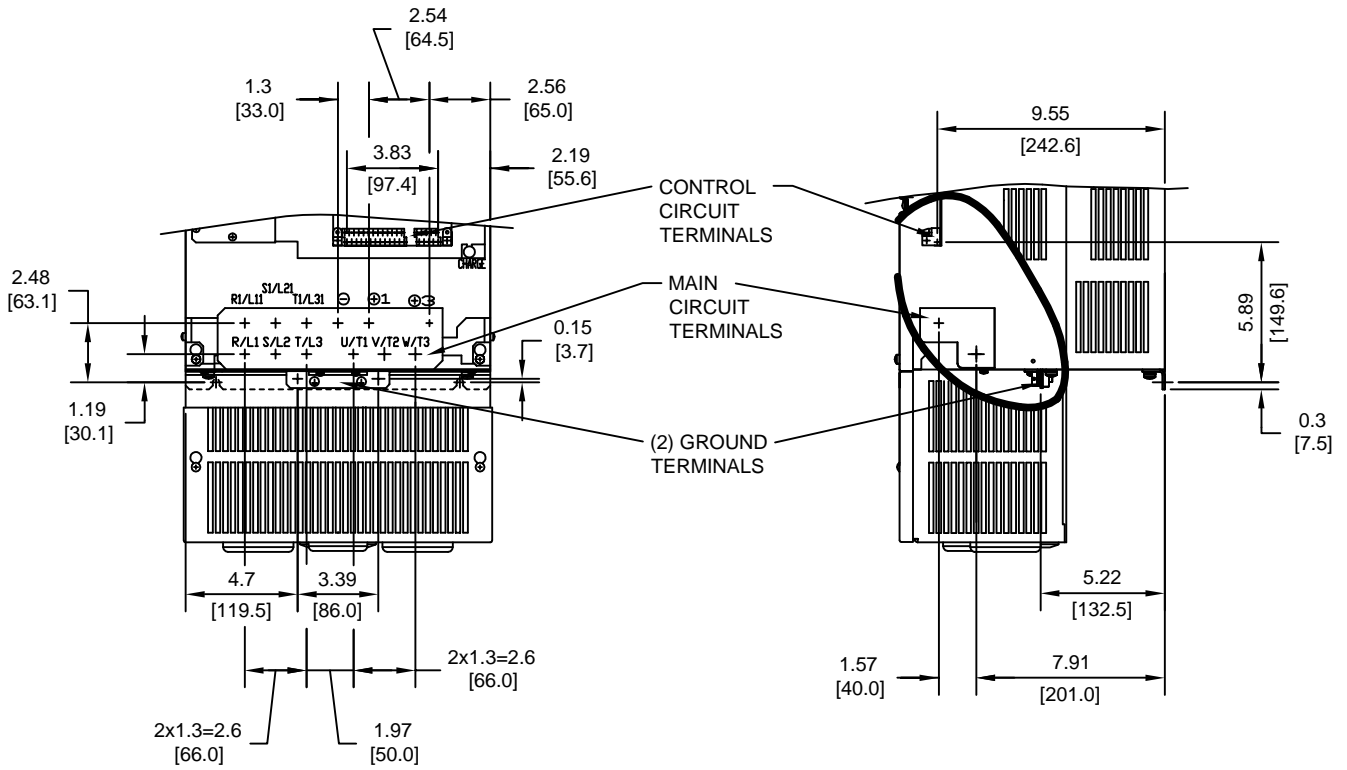
MODEL # CIMR-E7U	VOLTAGE (VAC)	OUTPUT CURRENT (A)	WEIGHT LBS (Kg)	HEAT LOSS (W)		
				INT	EXT	TOTAL
4045	480	96	88 (40)	386	901	1287
4055		125	88 (40)	478	1204	1682

INT=INTERNAL COMPONENTS
EXT=EXTERNAL HEATSINK

FOR ADDITIONAL DETAILS AND SPECIFICATIONS, CONSULT MANUAL

TOLERANCES/REFERENCES: - - - -	<p>YASKAWA A World of Automation Solutions™</p> <p>YASKAWA ELECTRIC AMERICA, INC. Corporate Headquarters 2121 Norman Drive South Waukegan, IL 60085 1-800-YASKAWA http://www.yaskawa.com</p>	DRAWN: J. MATTAS	DATE 4-27-05	TITLE: E7 DIMENSION DRAWING		
		CHECKED: M. RUCINSKI	DATE 6-6-05	FRAME SIZE 9B		
		TECH: J. CAIRO	DATE 4-28-05	NEMA TYPE 1/IP20 ENCLOSURE		
		APPROVED: T. SASADA	DATE 6-6-05	E7U4045 TO 4055		
UNITS: IN[mm]	SCALE: 1:10	ORIGINAL DESIGN: -	DATE -	SIZE A	REVISION R00	PAGE 1 of 3
				DRAWING #: DD.E7.FR9B.N1.01		

TERMINAL AND WIRING DETAILS (SCALE 1:8)




TERMINAL AND WIRE SPECIFICATIONS FOR
MAIN CIRCUIT AND GROUND

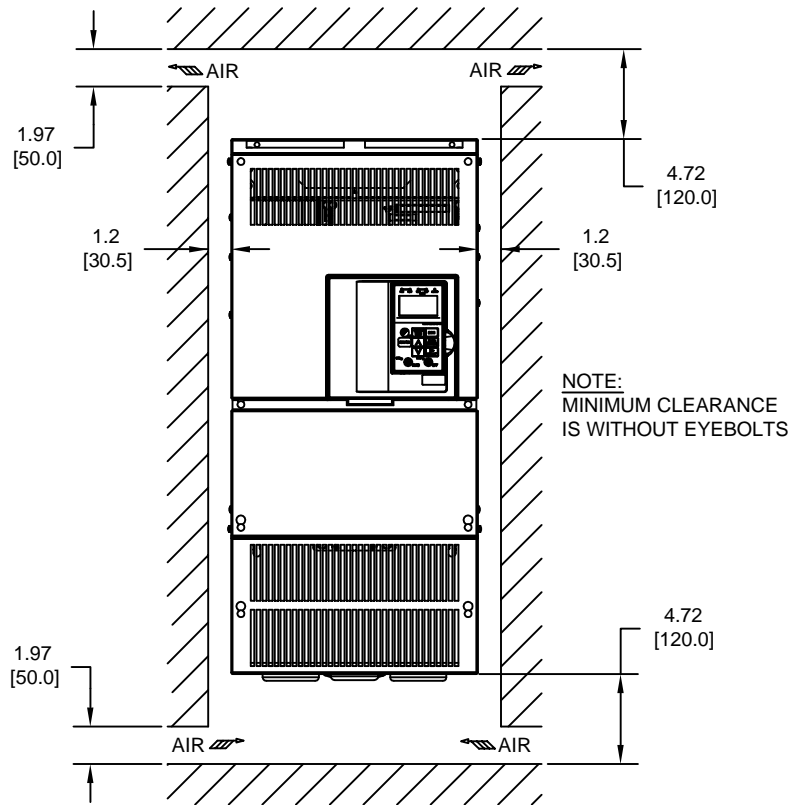
MODEL # CIMR-E7U	TERMINAL SYMBOL	TERMINAL SCREW	CLAMPING TORQUE lb.in.(N.m.)	WIRE RANGE AWG(mm ²)
4045	R/L1, S/L2, T/L3, ⊖, ⊕1, R1/L11, S1/L21, T1/L31, U/T1, V/T2, W/T3	M8	79.2 TO 88.0 (9.0 TO 10.0)	8-1/0 (8-60)
	⊕3	M6	35.2 TO 44.0 (4.0 TO 5.0)	8-4 (8-22)
	⊖	M8	79.2 TO 88.0 (9.0 TO 10.0)	SEE NOTE
4055	R/L1, S/L2, T/L3, ⊖, ⊕1, R1/L11, S1/L21, T1/L31, U/T1, V/T2, W/T3	M8	79.2 TO 88.0 (9.0 TO 10.0)	8-1/0 (8-60)
	⊕3	M6	35.2 TO 44.0 (4.0 TO 5.0)	8-4 (8-22)
	⊖	M8	79.2 TO 88.0 (9.0 TO 10.0)	SEE NOTE

NOTE: REFER TO APPLICABLE CODES FOR PROPER WIRE TYPE AND SIZE

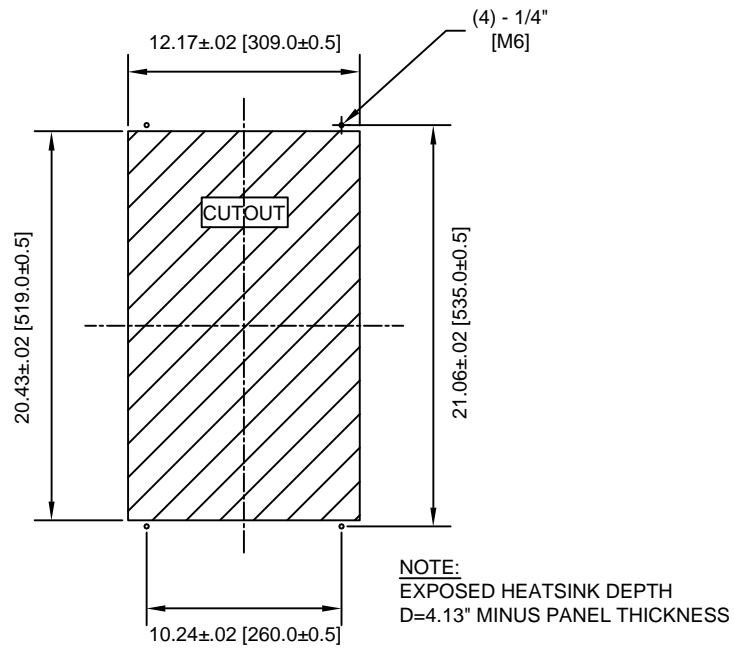
FOR ADDITIONAL DETAILS AND SPECIFICATIONS, CONSULT MANUAL

TOLERANCES/REFERENCES: - - - - - -	 YASKAWA <i>A World of Automation Solutions™</i> YASKAWA ELECTRIC AMERICA, INC. Corporate Headquarters 2121 Norman Drive South Waukegan, IL 60085 1-800-YASKAWA http://www.yaskawa.com	DRAWN: J. MATTAS	DATE: 4-27-05	TITLE: E7 DIMENSION DRAWING		
		CHECKED: M. RUCINSKI	DATE: 6-6-05	FRAME SIZE 9B		
		TECH: J. CAIRO	DATE: 4-28-05	NEMA TYPE 1/IP20 ENCLOSURE		
		APPROVED: T. SASADA	DATE: 6-6-05	E7U4045 TO 4055		
UNITS: IN[mm]	SCALE: BY VIEW	ORIGINAL DESIGN: -	DATE: -	SIZE: A	REVISION: R00	PAGE: 2 of 3
				DRAWING #: DD.E7.FR9B.N1.01		


MINIMUM INSTALLATION CLEARANCES (SCALE 1:10)



PANEL CUTOUT FOR EXTERNAL HEATSINK MOUNTING CONFIGURATION (SCALE 1:10)



FOR ADDITIONAL DETAILS AND SPECIFICATIONS, CONSULT MANUAL

TOLERANCES/REFERENCES: -		 YASKAWA <i>A World of Automation Solutions™</i> YASKAWA ELECTRIC AMERICA, INC. Corporate Headquarters 2121 Norman Drive South Waukegan, IL 60085 1-800-YASKAWA http://www.yaskawa.com	DRAWN: J. MATTAS DATE: 4-27-05	TITLE: E7 DIMENSION DRAWING		
			CHECKED: M. RUCINSKI DATE: 6-6-05	FRAME SIZE 9B NEMA TYPE 1/IP20 ENCLOSURE E7U4045 TO 4055		
		TECH: J. CAIRO DATE: 4-28-05	APPROVED: T. SASADA DATE: 6-6-05	SIZE: A	REVISION: R00	PAGE: 3 of 3
UNITS: IN[mm]		SCALE: BY VIEW		DRAWING #: DD.E7.FR9B.N1.01		