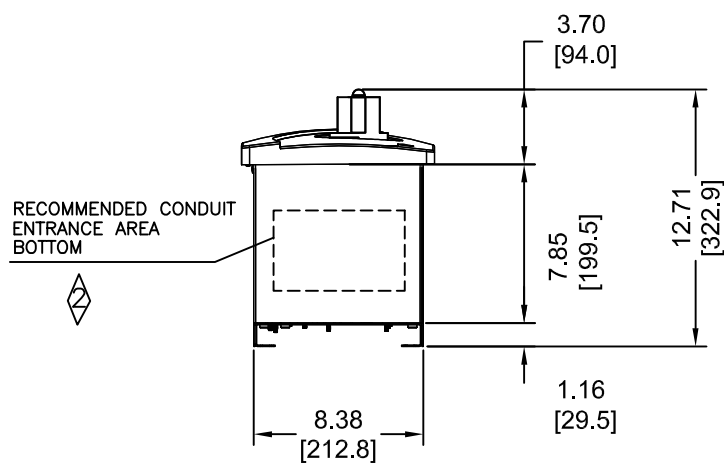
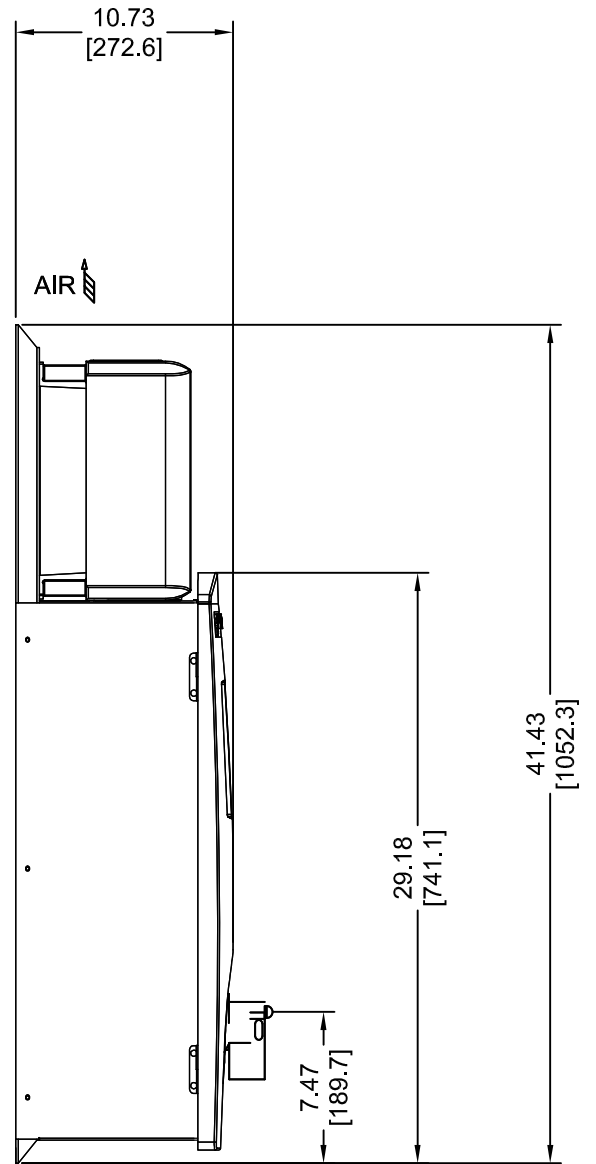
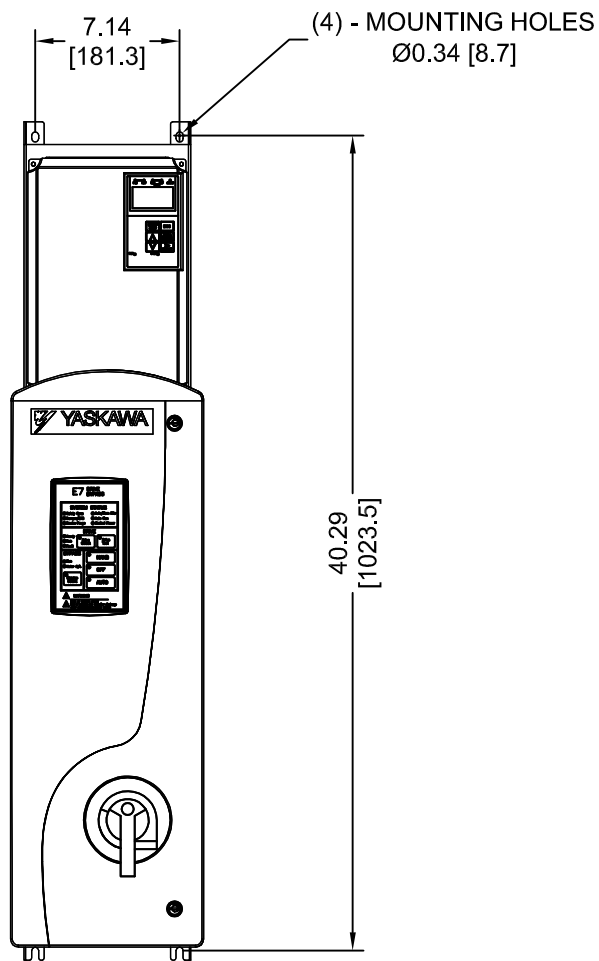
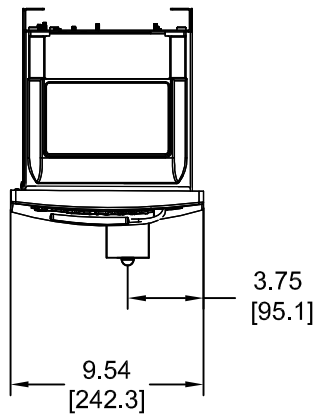


FOR REFERENCE ONLY UNLESS PROPERLY ENDORSED



NOTES:

1. LED OPERATOR SHOWN
2. MAXIMUM DIMENSIONS SHOWN WHEN APPLICABLE
3. DIMENSIONS ARE IN inch [mm].

FOR ADDITIONAL DETAILS AND SPECIFICATIONS, CONSULT MANUAL

PROJECT NAME: _____
 SYSTEM/TAG #: _____
 MODEL #: _____
 HP: _____
 AMPS: _____
 VOLTS: _____
 WEIGHT: _____

YASKAWA	DRAWN BY: JJS	DATE: 5/28/08	TITLE: E7N DIMENSION DRAWING		
	CHECKED: DC	DATE: 5/28/08	SIZE: C	REVISION: R02	PAGE: 1 of 1
THIS DOCUMENT AND INFORMATION CONTAINED IN IT ARE CONFIDENTIAL, AND CANNOT BE COPIED OR DISCLOSED IN WHOLE OR IN PART WITHOUT THE EXPRESS WRITTEN CONSENT OF YASKAWA ELECTRIC AMERICA INC.	APPROVED: J.ZUEHLKE	DATE: 5/28/08	DRAWING #: DD.E7N.203.01		
	ORIGINAL DESIGN: J.MATTAS	DATE: 5-15-07			