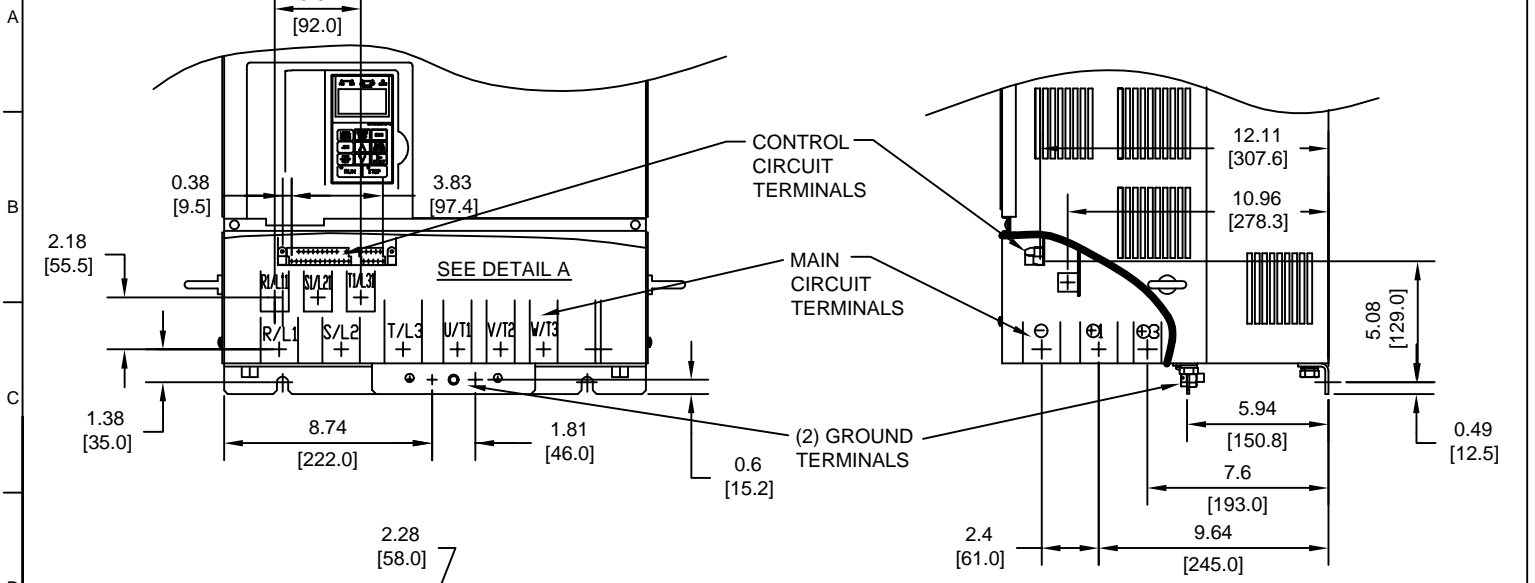
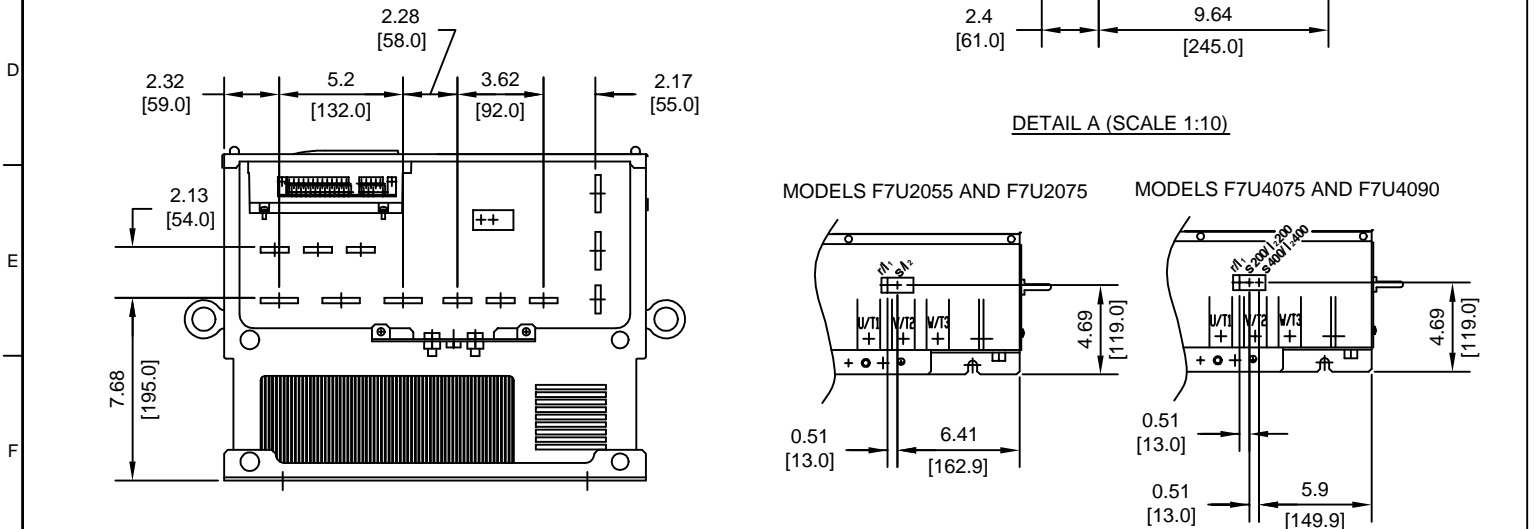


TERMINAL AND WIRING DETAILS (SCALE 1:8)



DETAIL A (SCALE 1:10)



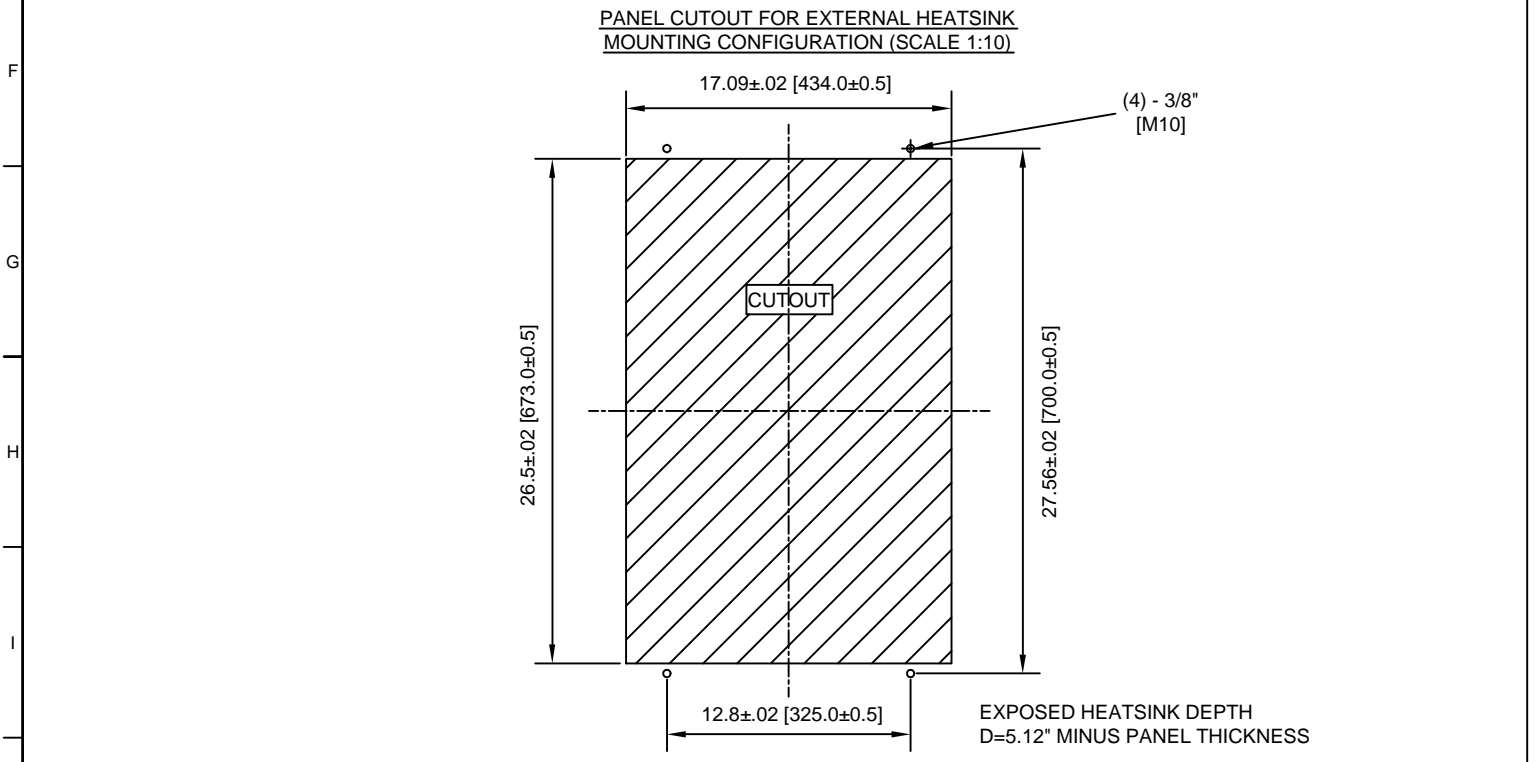
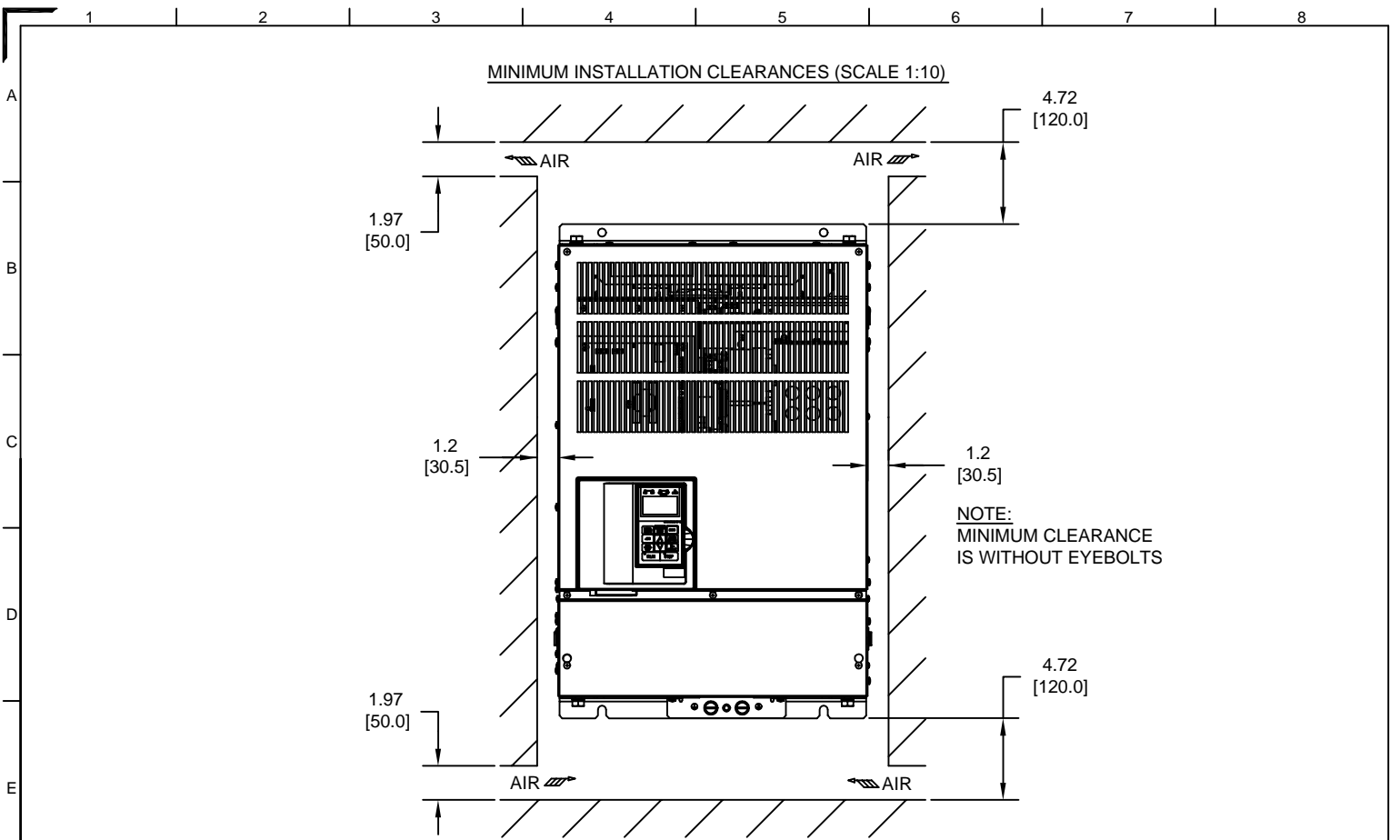
TERMINAL AND WIRE SPECIFICATIONS FOR MAIN CIRCUIT AND GROUND

MODEL # CIMR-F7U	TERMINAL SYMBOL	TERMINAL SCREW	CLAMPING TORQUE lb.in.(N.m.)
2055	R/L1, S/L2, T/L3, ⊖, ⊕1, ⊕2, U/T1, V/T2, W/T3, R1/L11, S1/L21, T1/L31	M10	155 TO 198 (17.6 TO 22.5)
	⊕3	M8	78.0 TO 95.0 (8.8 TO 10.8)
	r1 1, s1 2	M4	11.4 TO 12.3 (1.3 TO 1.4)
2075	R/L1, S/L2, T/L3, U/T1, V/T2, W/T3, R1/L11, S1/L21, T1/L31	M10	155 TO 198 (17.6 TO 22.5)
	⊕3	M8	78.0 TO 95.0 (8.8 TO 10.8)
	⊖, ⊕1, ⊕2 r1 1, s1 2	M12 M4	277 TO 345 (31.4 TO 39.2) 11.4 TO 12.3 (1.3 TO 1.4)
4075	R/L1, S/L2, T/L3, ⊖, ⊕1, ⊕2, U/T1, V/T2, W/T3, R1/L11, S1/L21, T1/L31	M10	155 TO 198 (17.6 TO 22.5)
	⊕3	M8	78.0 TO 95.0 (8.8 TO 10.8)
	r1 1, s 200/2 200, s 400/2 400	M4	11.4 TO 12.3 (1.3 TO 1.4)
4090	R/L1, S/L2, T/L3, ⊖, ⊕1, ⊕2, U/T1, V/T2, W/T3, R1/L11, S1/L21, T1/L31	M10	155 TO 198 (17.6 TO 22.5)
	⊕3	M8	78.0 TO 95.0 (8.8 TO 10.8)
	r1 1, s 200/2 200, s 400/2 400	M4	11.4 TO 12.3 (1.3 TO 1.4)

NOTE: REFER TO APPLICABLE CODES FOR PROPER WIRE TYPE AND SIZE

FOR ADDITIONAL DETAILS AND SPECIFICATIONS, CONSULT MANUAL

TOLERANCES/REFERENCES: - - - - -	<p>YASKAWA A World of Automation Solutions™</p> <p>YASKAWA ELECTRIC AMERICA, INC. Corporate Headquarters 2121 Norman Drive South Waukegan, IL 60085 1-800-YASKAWA http://www.yaskawa.com</p>	DRAWN: J. MATTAS DATE: 4-14-03	TITLE: F7 DIMENSION DRAWING FRAME SIZE 10 IP00 ENCLOSURE F7U2055 TO 2075, 4075 TO 4090				
		CHECKED: M. RUCINSKI DATE: 5-13-03	TECH: J. CAIRO DATE: 4-28-03	APPROVED: T. SASADA DATE: 5-13-03	SIZE A	REVISION A	PAGE 2 of 3
		ORIGINAL DESIGN: -	DATE: -	DRAWING #: DD.F7.FR10.IP00.01			
		UNITS: IN[mm]	SCALE: BY VIEW				



FOR ADDITIONAL DETAILS AND SPECIFICATIONS, CONSULT MANUAL

TOLERANCES/REFERENCES: - - - - - - - - -	<p>YASKAWA <i>A World of Automation Solutions™</i></p> <p>YASKAWA ELECTRIC AMERICA, INC. Corporate Headquarters 2121 Norman Drive South Waukegan, IL 60085 1-800-YASKAWA http://www.yaskawa.com</p>	DRAWN:	DATE:	TITLE: F7 DIMENSION DRAWING FRAME SIZE 10 IP00 ENCLOSURE F7U2055 TO 2075, 4075 TO 4090						
		CHECKED:	DATE:							
		TECH:	DATE:							
		APPROVED:	DATE:							
UNITS:	SCALE:	ORIGINAL DESIGN:	DATE:	<table border="1" style="width: 100%; border-collapse: collapse;"> <thead> <tr> <th>SIZE</th> <th>REVISION</th> <th>PAGE</th> </tr> </thead> <tbody> <tr> <td style="text-align: center;">A</td> <td style="text-align: center;">A</td> <td style="text-align: center;">3 of 3</td> </tr> </tbody> </table>	SIZE	REVISION	PAGE	A	A	3 of 3
SIZE	REVISION	PAGE								
A	A	3 of 3								
IN[mm]	BY VIEW	-	-	DD.F7.FR10.IP00.01						