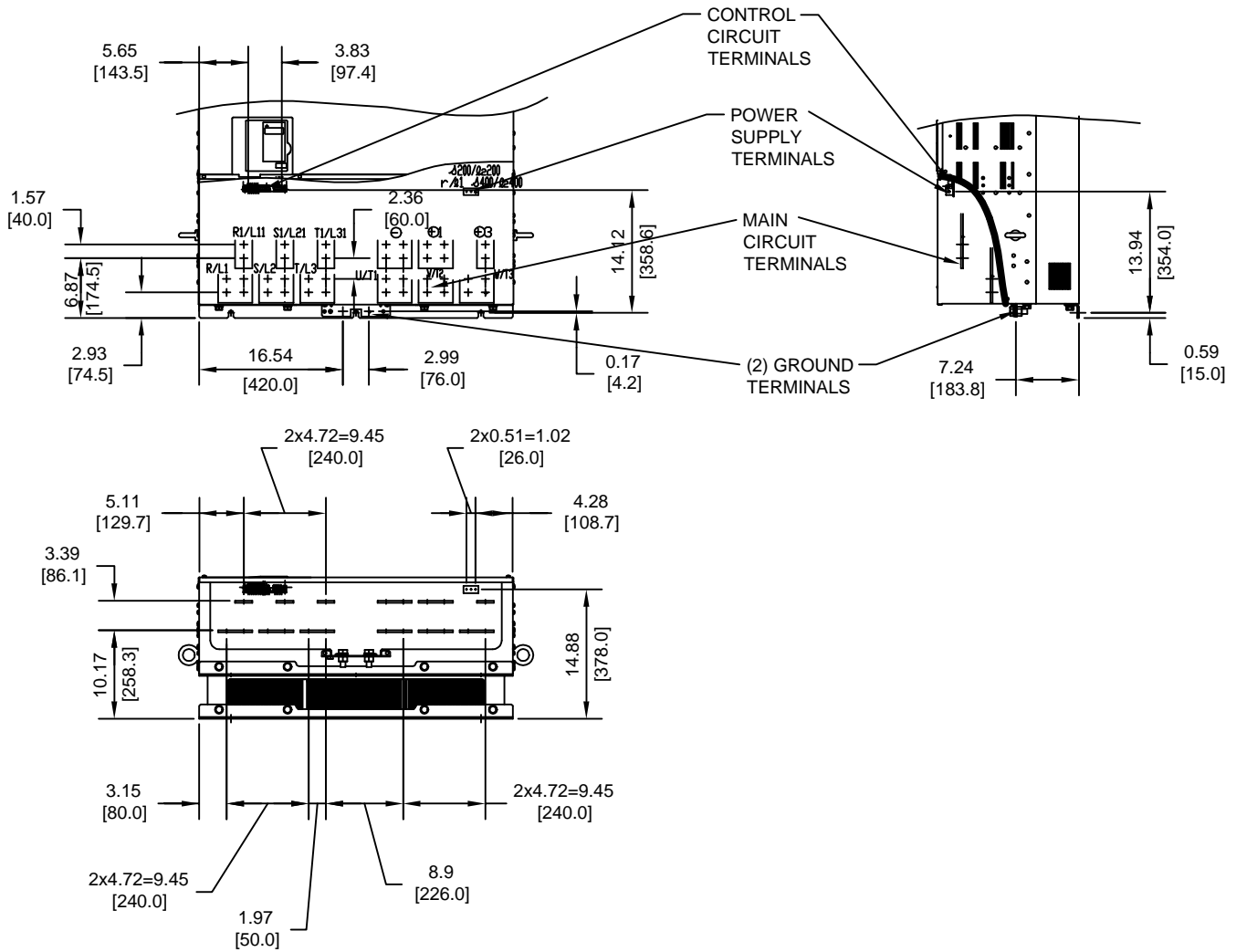




TERMINAL AND WIRING DETAILS (SCALE 1:20)




TERMINAL AND WIRE SPECIFICATIONS FOR  
MAIN CIRCUIT AND GROUND

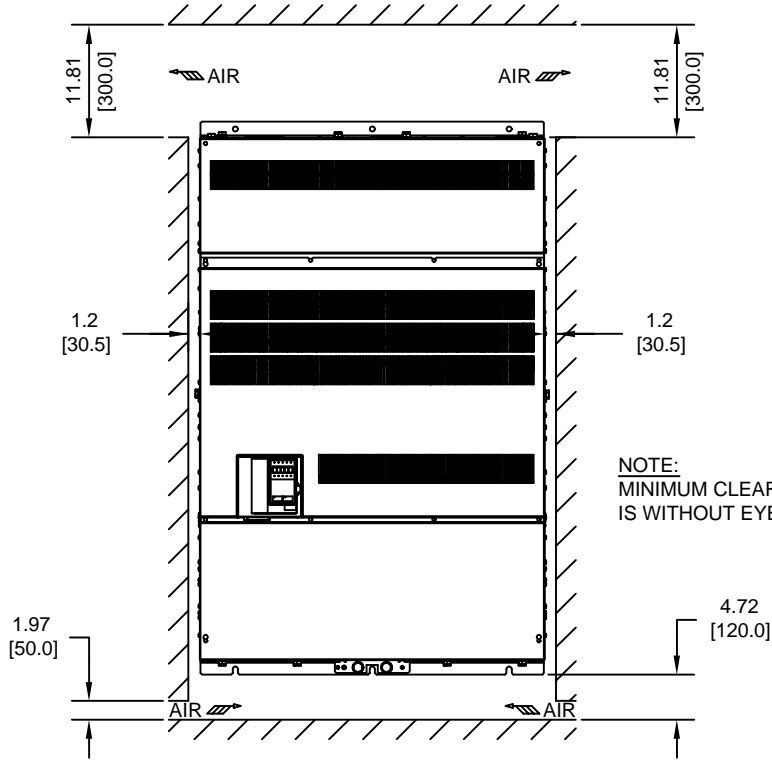
MODEL #	TERMINAL SYMBOL	TERMINAL SCREW	CLAMPING TORQUE lb.in.(N.m.)
CIMR-F7U	R/L1, S/L2, T/L3, U, V, W, Ø1, Ø2, Ø3, U/T1, V/T2, W/T3, R1/L11, S1/L21, T1/L31	M16	694 TO 867 (78.4 TO 98.0)
4300	r1, s200, s200, s400, s400	M4	11.4 TO 12.3 (1.3 TO 1.4)

NOTE: REFER TO APPLICABLE CODES FOR PROPER WIRE TYPE AND SIZE

FOR ADDITIONAL DETAILS AND SPECIFICATIONS, CONSULT MANUAL

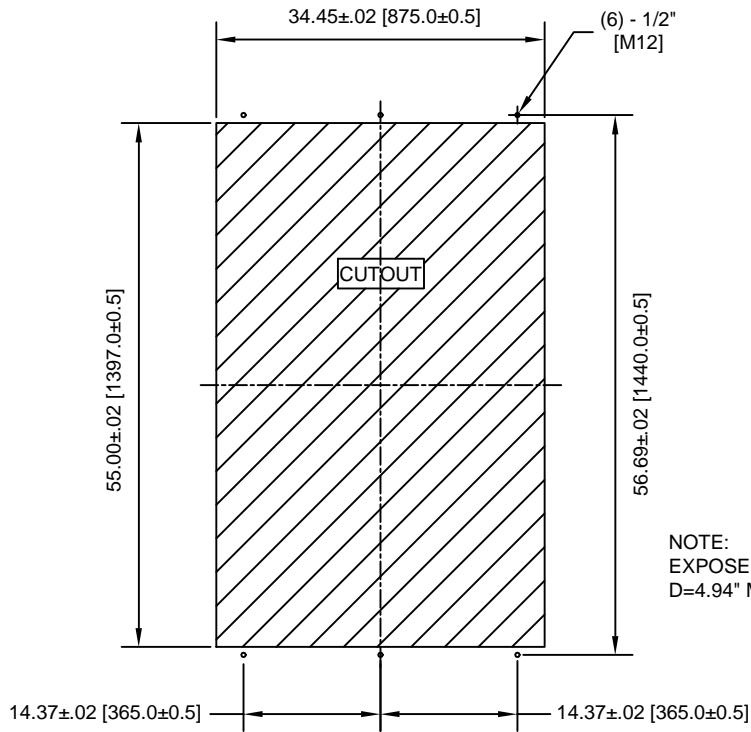
TOLERANCES/REFERENCES: - - - - - - - - - -	 <b>YASKAWA</b> <i>A World of Automation Solutions™</i> <b>YASKAWA ELECTRIC AMERICA, INC.</b> Corporate Headquarters 2121 Norman Drive South Waukegan, IL 60085 1-800-YASKAWA <a href="http://www.yaskawa.com">http://www.yaskawa.com</a>	DRAWN: J. MATTAS	DATE 8-20-03	TITLE: F7 DIMENSION DRAWING		
		CHECKED: M. RUCINSKI	DATE 9-16-03	FRAME SIZE 15		
		TECH: J. CAIRO	DATE 9-2-03	IP00 ENCLOSURE		
		APPROVED: T. SASADA	DATE 9-16-03	F7U4300		
UNITS: IN[mm]	SCALE: BY VIEW	ORIGINAL DESIGN: -	DATE -	SIZE A	REVISION A	PAGE 2 of 3
				DRAWING #: <b>DD.F7.FR15.IP00.01</b>		

MINIMUM INSTALLATION CLEARANCES (SCALE 1:20)




NOTE:  
MINIMUM CLEARANCE  
IS WITHOUT EYEBOLTS

PANEL CUTOUT FOR EXTERNAL HEATSINK  
MOUNTING CONFIGURATION (SCALE 1:20)



NOTE:  
EXPOSED HEATSINK DEPTH  
D=4.94\"/>

FOR ADDITIONAL DETAILS AND SPECIFICATIONS, CONSULT MANUAL

TOLERANCES/REFERENCES: - - - - - -	 <b>YASKAWA</b> <i>A World of Automation Solutions™</i> <b>YASKAWA ELECTRIC AMERICA, INC.</b> Corporate Headquarters 2121 Norman Drive South Waukegan, IL 60085 1-800-YASKAWA <a href="http://www.yaskawa.com">http://www.yaskawa.com</a>	DRAWN: J. MATTAS	DATE 8-20-03	TITLE: F7 DIMENSION DRAWING		
		CHECKED: M. RUCINSKI	DATE 9-16-03	FRAME SIZE 15		
		TECH: J. CAIRO	DATE 9-2-03	IP00 ENCLOSURE		
		APPROVED: T. SASADA	DATE 9-16-03	F7U4300		
UNITS: IN[mm]	SCALE: BY VIEW	ORIGINAL DESIGN: -	DATE -	SIZE A	REVISION A	PAGE 3 of 3
				DRAWING #: <b>DD.F7.FR15.IP00.01</b>		