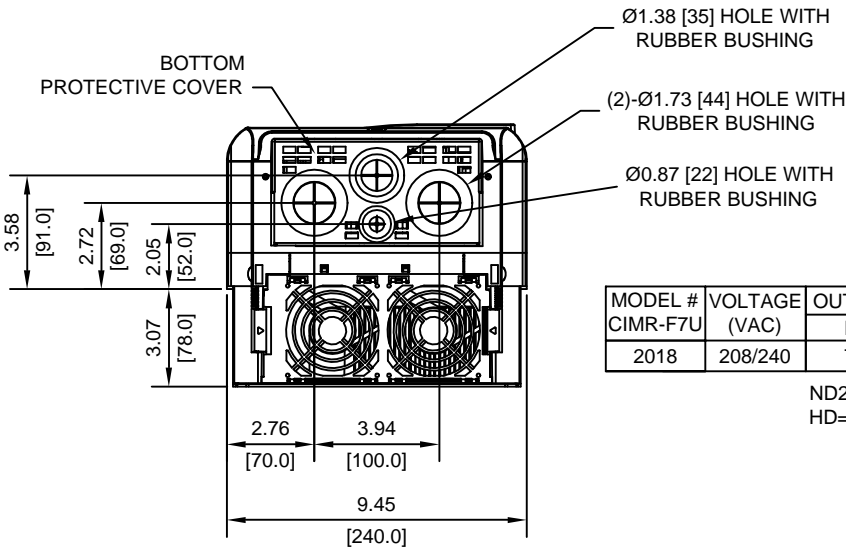
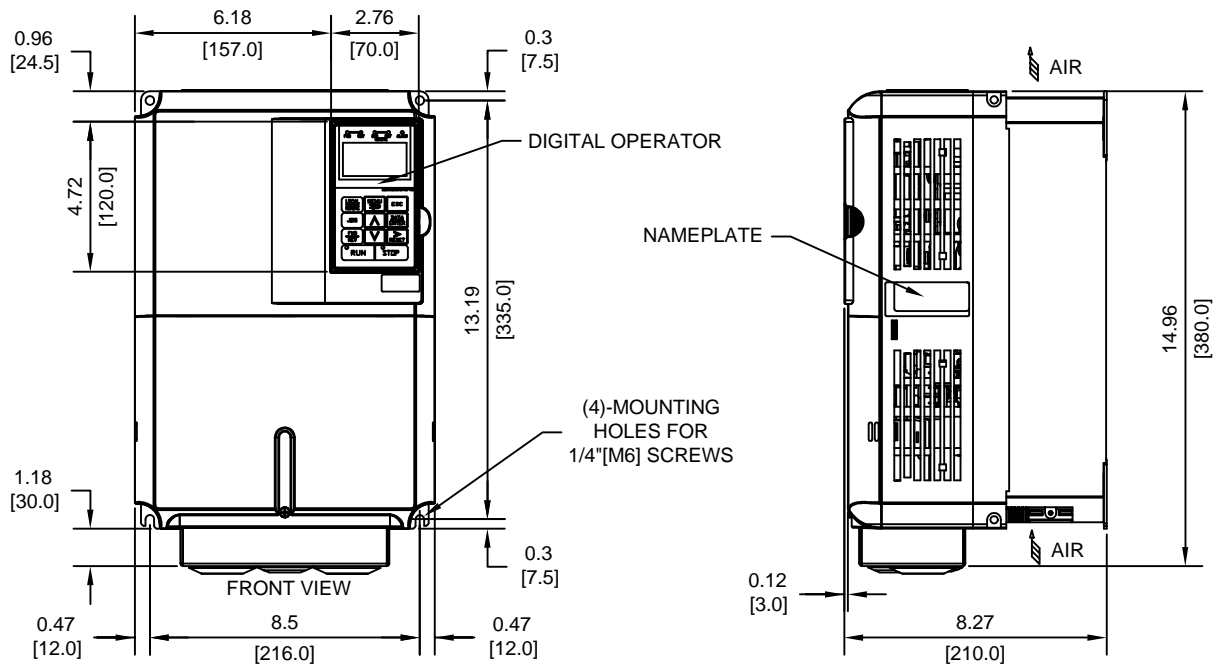


NOTE:
PROTECTIVE COVERS ARE FACTORY INSTALLED TO THE TOP AND BOTTOM OF THE DRIVE TO MEET IP20 & NEMA TYPE 1 REQUIREMENTS, RESULTING IN AN AMBIENT TEMPERATURE RATING OF 104F(40C). REMOVE THESE COVERS WHEN OPERATING THE DRIVE WITHIN A PANEL TO OBTAIN THE MAXIMUM SURROUNDING AIR TEMPERATURE RATING OF 113F(45C). REMOVING THESE COVERS RESULTS IN AN ENCLOSURE RATING OF IP00.



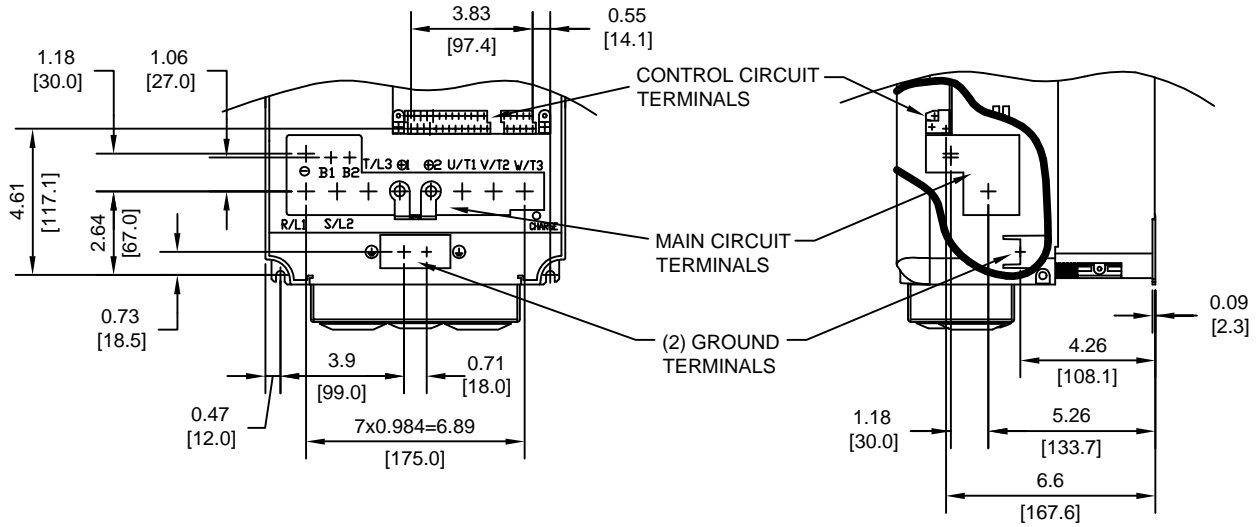
MODEL #	VOLTAGE (VAC)	OUTPUT CURRENT (A)		WEIGHT LBS (Kg)	HEAT LOSS (W)		
		ND2	HD		INT	EXT	TOTAL
2018	208/240	74.8	71.0	24.2 (11.0)	208	472	680

ND2=NORMAL DUTY 2 HD=HEAVY DUTY INT=INTERNAL COMPONENTS EXT=EXTERNAL HEATSINK

FOR ADDITIONAL DETAILS AND SPECIFICATIONS, CONSULT MANUAL

TOLERANCES/REFERENCES: - - - - -	 YASKAWA A World of Automation Solutions™ YASKAWA ELECTRIC AMERICA, INC. Corporate Headquarters 2121 Norman Drive South Waukegan, IL 60085 1-800-YASKAWA http://www.yaskawa.com	DRAWN: J. MATTAS	DATE: 4-30-03	TITLE: F7 DIMENSION DRAWING
		CHECKED: M. RUCINSKI	DATE: 5-28-03	FRAME SIZE 4C
		TECH: J. CAIRO	DATE: 4-30-03	NEMA TYPE 1/IP20 AND IP00
		APPROVED: T. SASADA	DATE: 5-28-03	F7U2018
		ORIGINAL DESIGN:	DATE: -	
UNITS: IN[mm]	SCALE: 1:6	SIZE REVISION PAGE A A 1 of 2		
		DRAWING #: DD.F7.FR4C.N1.01		

TERMINAL AND WIRING DETAILS (SCALE 1:6)

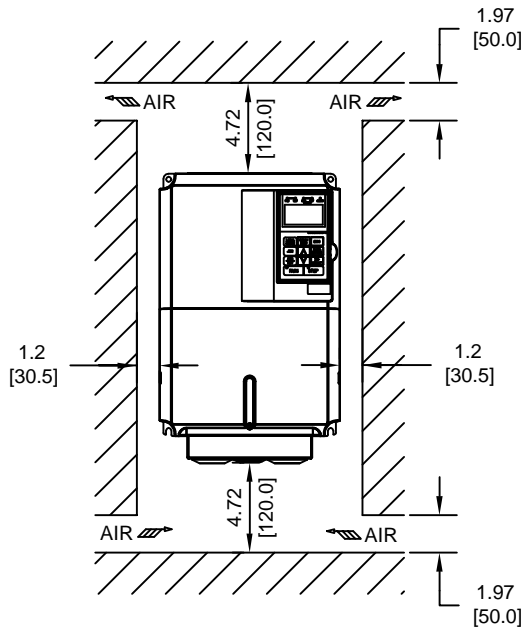


TERMINAL AND WIRE SPECIFICATIONS FOR MAIN CIRCUIT AND GROUND

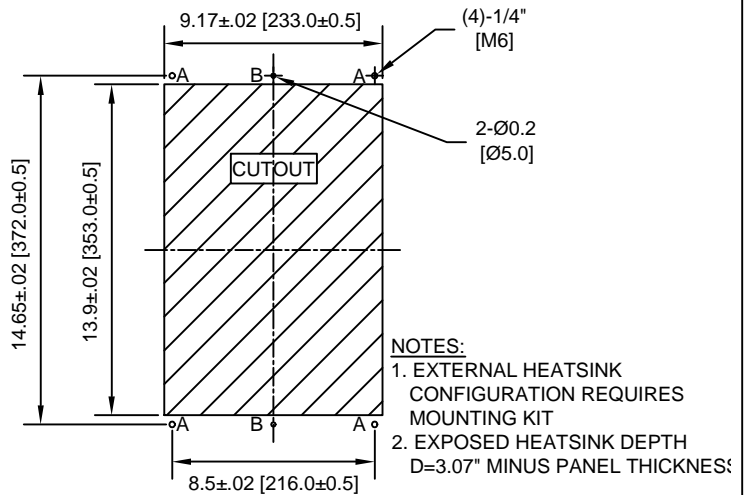
MODEL # CIMR-F7U	TERMINAL SYMBOL	TERMINAL SCREW	CLAMPING TORQUE lb.in.(N.m.)	WIRE RANGE AWG(mm ²)
2018	R/L1, S/L2, T/L3, U, U1, V/T2, W/T3	M8	79.2 TO 88.0 (9.0 TO 10.0)	8-1 (8-50)
	B1, B2	M5	20.4 TO 22.0 (2.3 TO 2.5)	12-6 (3.5-14)
	⊕	M6	35.2 TO 44.0 (4.0 TO 5.0)	SEE NOTE

NOTE: REFER TO APPLICABLE CODES FOR PROPER WIRE TYPE AND SIZE

MINIMUM INSTALLATION CLEARANCES (SCALE 1:10)



PANEL CUTOUT FOR EXTERNAL HEATSINK MOUNTING CONFIGURATION (SCALE 1:8)



FOR ADDITIONAL DETAILS AND SPECIFICATIONS, CONSULT MANUAL

TOLERANCES/REFERENCES: - - - - -	<p>YASKAWA A World of Automation Solutions™</p> <p>YASKAWA ELECTRIC AMERICA, INC. Corporate Headquarters 2121 Norman Drive South Waukegan, IL 60085 1-800-YASKAWA http://www.yaskawa.com</p>	DRAWN: J. MATTAS	DATE: 4-30-03	TITLE: F7 DIMENSION DRAWING		
		CHECKED: M. RUCINSKI	DATE: 5-28-03	FRAME SIZE 4C		
		TECH: J. CAIRO	DATE: 4-30-03	NEMA TYPE 1/IP20 AND IP00		
		APPROVED: T. SASADA	DATE: 5-28-03	F7U2018		
UNITS: IN[mm]	SCALE: BY VIEW	ORIGINAL DESIGN: -	DATE: -	SIZE: A	REVISION: A	PAGE: 2 of 2
			DRAWING #: DD.F7.FR4C.N1.01			