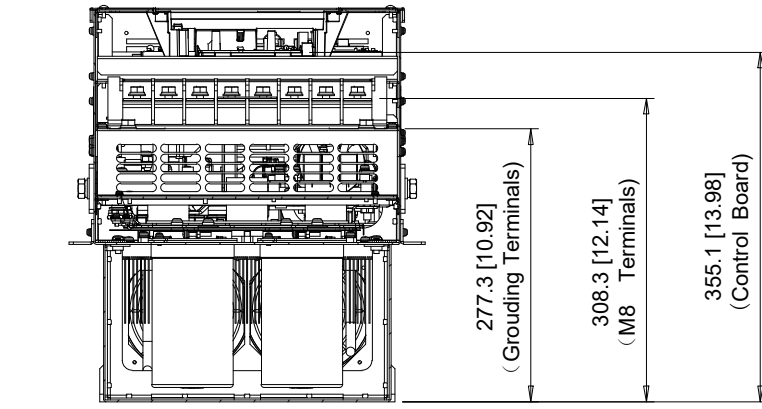
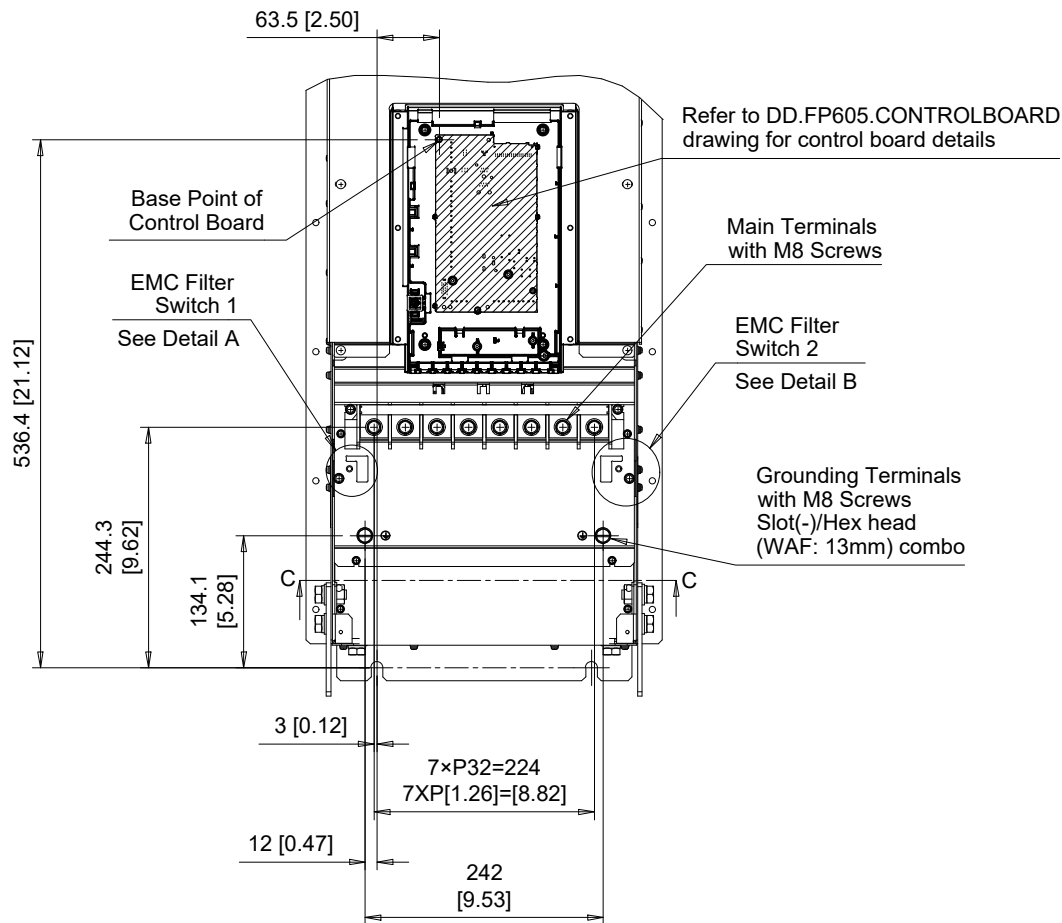


The dimensions shown are for an IP20/Type 1 Drive that has been converted to a IP20/Backside Type 12 Drive by adding the parts from Type 12 heatsink external mounting kit number part number ZPSD-600-EH12-FR6

Note 1:
Protective covers are factory installed to the top and bottom of the drive to meet UL Type 1 requirements. Remove these covers when operating the drive within a panel. Removing these covers results in an enclosure rating of IP20.

C/C: FP65□	INPUT VOLTAGE 3-PHASE (VAC)	WEIGHT Kg (lb)		COOLING FANS
		STANDARD	WITH EMC FILTER	
2143□□	200 TO 240	71 (156.8)	74 (163.2)	2
2169□□		74 (163.2)	76 (167.6)	2
4156□□	380 TO 480	76 (167.6)	78 (172.0)	2

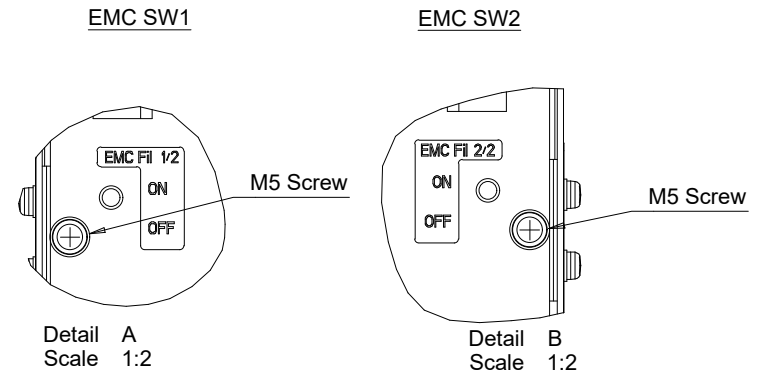
□ denotes A-Z



Section C-C

EMC FILTER SWITCHES

Note: EMC filter switches enabled only on models with built-in EMC filter



C/C: FP65□	TERMINAL SYMBOL	WIRE RANGE AWG (mm ²)	TERMINAL SCREW	CLAMPING TORQUE N.m. (lb.in.)
2143□□□	R/L1, S/L2, T/L3	6 - 250 (16 - 120)	M8	15 (133)
2169□□□	U/T1, V/T2, W/T3	6 - 250 (16 - 120)	M8	15 (133)
4156□□□	-, +1	6 - 250 (16 - 120)	M8	15 (133)
	⊕	8 - 2/0 (10 - 70)	M8	9 - 11 (79.7 - 97.4)

□ Denotes A-Z

Note: Refer to applicable codes and standards for proper wire type and size.



UNITS MM [IN]
SCALE 1:8

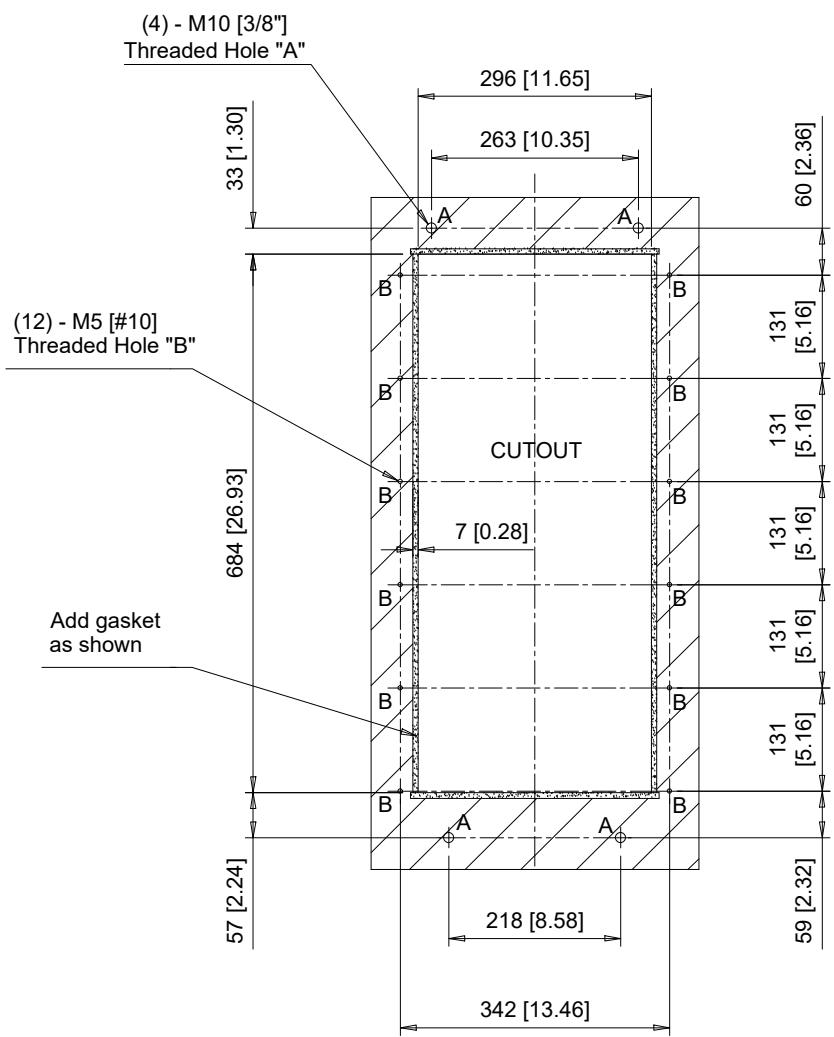
DRWN. J. MATTAS 7-19-22
CHKD. J. PIOTROWSKI 8-3-22
TECH. L. UDDIN 8-18-22
APRV. J. CAIRO 8-17-22

TITLE
FP605 DIMENSION DRAWING
FRAME SIZE 6
IP20/BACKSIDE TYPE 12 ENCLOSURE

SIZE A PAGE 2 OF 3
DWG.NO. DD.FP605.FR6.FLNG

REV 0

Panel Cutout



Notes:
Exposed heatsink minimum clearance D = 165 [6.50].
Refer to external heatsink instructions document for additional details.

YASKAWA

UNITS MM [IN]
SCALE 1:10

DRWN.	J. MATTAS	7-19-22
CHKD.	J. PIOTROWSKI	8-3-22
TECH.	L. UDDIN	8-18-22
APRV.	J. CAIRO	8-17-22

TITLE
FP605 DIMENSION DRAWING
FRAME SIZE 6
IP20/BACKSIDE TYPE 12 ENCLOSURE

SIZE	A	PAGE	3 OF 3
DWG.NO.	DD.FP605.FR6.FLNG		

REV
0