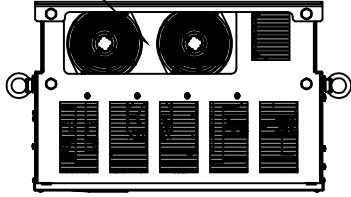
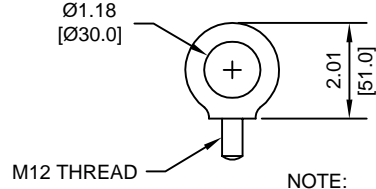


(2) EXTERNAL COOLING FANS

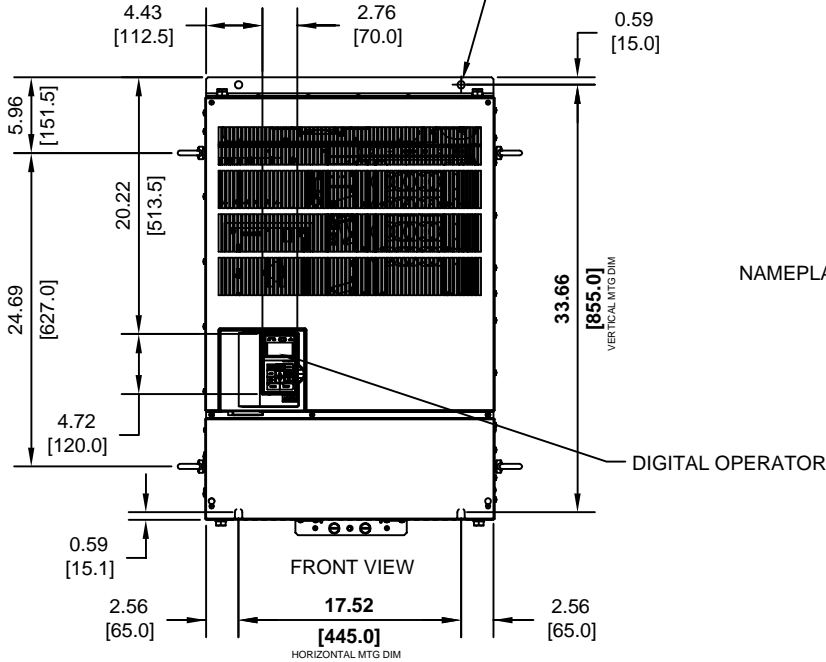


LIFTING AND EYEBOLT DETAILS

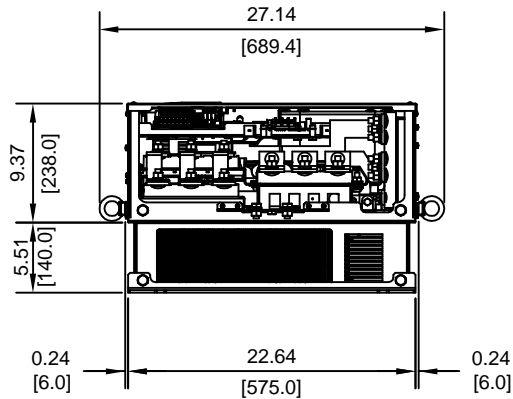
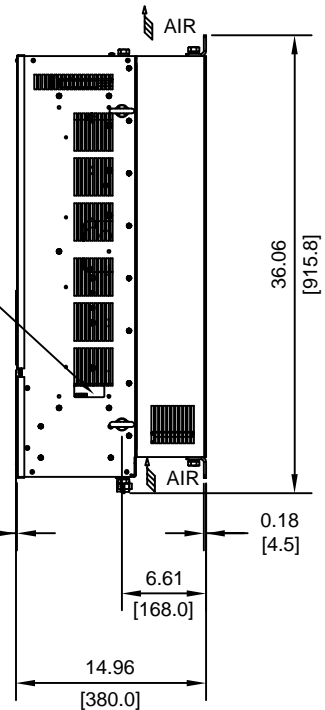


NOTE:
SPREADER BAR REQUIRED TO AVOID DAMAGE DURING LIFTING

(4)-MOUNTING HOLES FOR 1/2"[M12] SCREWS



NAMEPLATE
DIGITAL OPERATOR



MODEL #	VOLTAGE (VAC)	OUTPUT CURRENT (A)	WEIGHT LBS (Kg)	HEAT LOSS (W)		
				INT	EXT	TOTAL
4132	480	270	363 (165)	1105	2612	3717
4160		302	385 (175)	1501	3614	5115

INT=INTERNAL COMPONENTS
EXT=EXTERNAL HEATSINK

FOR ADDITIONAL DETAILS AND SPECIFICATIONS, CONSULT MANUAL

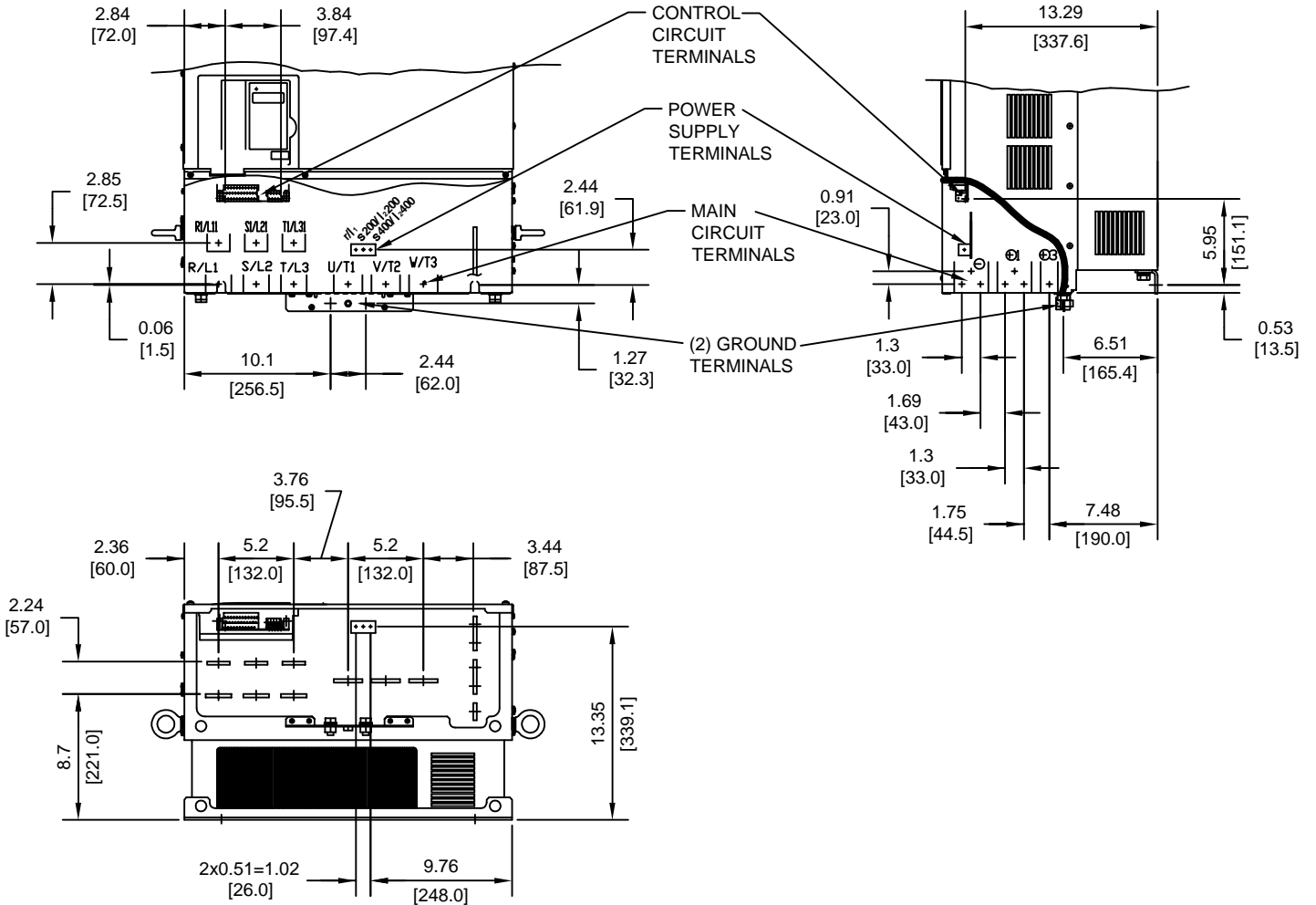
TOLERANCES/REFERENCES:
-
-
-
-
-
-

UNITS:	SCALE:
IN[mm]	1:15

YASKAWA
A World of Automation Solutions™
YASKAWA ELECTRIC AMERICA, INC.
Corporate Headquarters
2121 Norman Drive South
Waukegan, IL 60085
1-800-YASKAWA
http://www.yaskawa.com

DRAWN:	J. MATTAS	DATE:	3-1-04	TITLE:	G7 DIMENSION DRAWING		
CHECKED:	E. KU	DATE:	4-4-04		FRAME SIZE 13		
TECH:	J. CAIRO	DATE:	4-2-04		IP00 ENCLOSURE		
APPROVED:	T. SASADA	DATE:	4-7-04		G7U4132 TO 4160		
ORIGINAL DESIGN:	-	DATE:	-	SIZE:	A	REVISION:	R01
							PAGE: 1 of 3
				DRAWING #:	DD.G7.FR13.IP00.01		

TERMINAL AND WIRING DETAILS (SCALE 1:12)




TERMINAL SPECIFICATIONS FOR
MAIN CIRCUIT AND GROUND

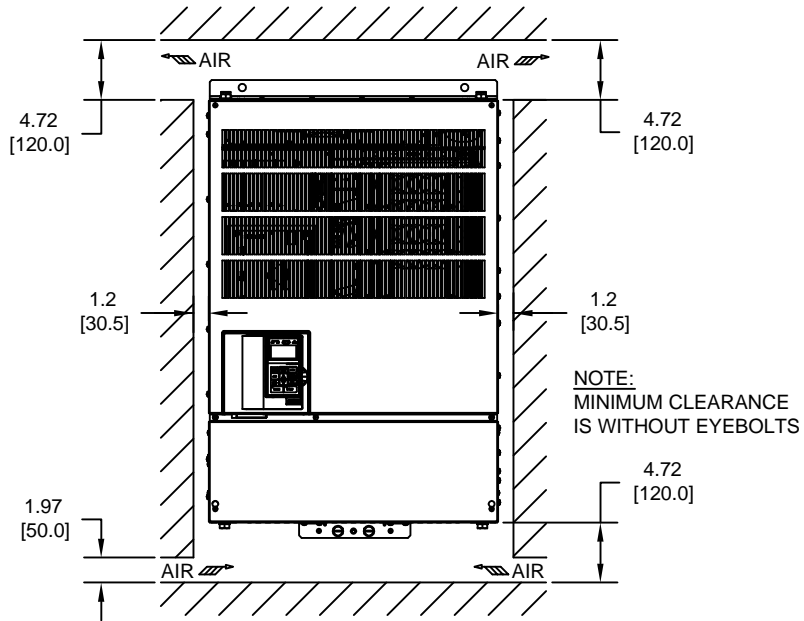
MODEL # CIMR-G7U	TERMINAL SYMBOL	TERMINAL SCREW	CLAMPING TORQUE lb.in.(N.m.)
4132	R/L1, S/L2, T/L3, ⊙, ⊕, ⊖ U/T1, V/T2, W/T3, R1/L11, S1/L21, T1/L31	M12	276 TO 345 (31.4 TO 39.2)
	⊕3	M8	78.0 TO 95.0 (8.8 TO 10.8)
	r1 1, s200l 2200, s400l 2400	M4	11.4 TO 12.3 (1.3 TO 1.4)
4160	R/L1, S/L2, T/L3, ⊙, ⊕, ⊖ U/T1, V/T2, W/T3, R1/L11, S1/L21, T1/L31	M12	276 TO 345 (31.4 TO 39.2)
	⊕3	M8	78.0 TO 95.0 (8.8 TO 10.8)
	r1 1, s200l 2200, s400l 2400	M4	11.4 TO 12.3 (1.3 TO 1.4)

NOTE: REFER TO APPLICABLE CODES FOR PROPER WIRE TYPE AND SIZE

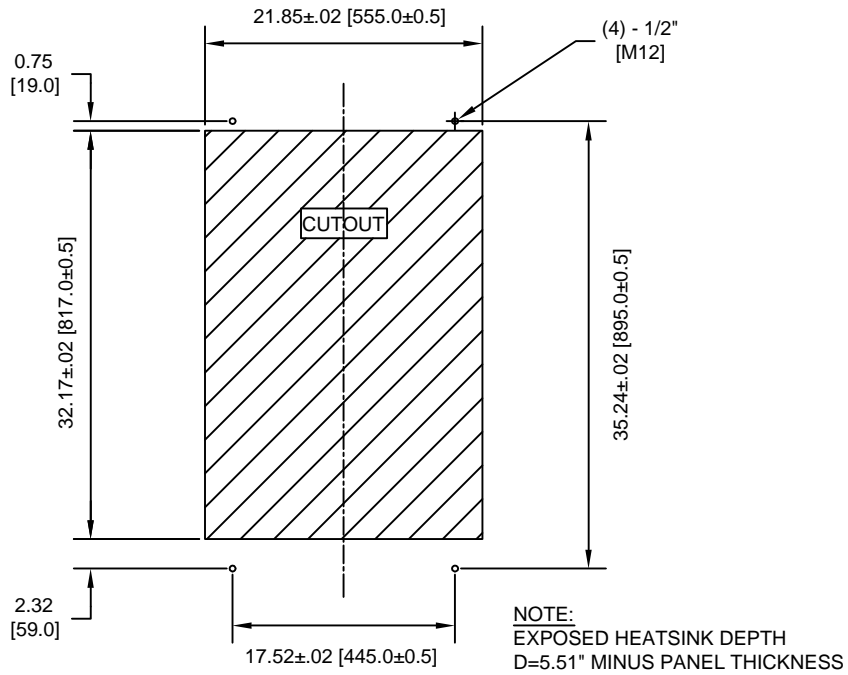
FOR ADDITIONAL DETAILS AND SPECIFICATIONS, CONSULT MANUAL

TOLERANCES/REFERENCES: - - - - -	 YASKAWA <i>A World of Automation Solutions™</i> YASKAWA ELECTRIC AMERICA, INC. Corporate Headquarters 2121 Norman Drive South Waukegan, IL 60085 1-800-YASKAWA http://www.yaskawa.com	DRAWN: J. MATTAS	DATE 3-1-04	TITLE: G7 DIMENSION DRAWING		
		CHECKED: E. KU	DATE 4-4-04	FRAME SIZE 13		
		TECH: J. CAIRO	DATE 4-2-04	IP00 ENCLOSURE		
		APPROVED: T. SASADA	DATE 4-7-04	G7U4132 TO 4160		
UNITS: IN[mm]	SCALE: BY VIEW	ORIGINAL DESIGN: -	DATE -	SIZE A	REVISION R01	PAGE 2 of 3
				DRAWING #: DD.G7.FR13.IP00.01		


MINIMUM INSTALLATION CLEARANCES (SCALE 1:15)



PANEL CUTOUT FOR EXTERNAL HEATSINK MOUNTING CONFIGURATION (SCALE 1:15)



FOR ADDITIONAL DETAILS AND SPECIFICATIONS, CONSULT MANUAL

TOLERANCES/REFERENCES: - - - - - - - - - -		 YASKAWA <i>A World of Automation Solutions™</i> YASKAWA ELECTRIC AMERICA, INC. Corporate Headquarters 2121 Norman Drive South Waukegan, IL 60085 1-800-YASKAWA http://www.yaskawa.com	DRAWN: J. MATTAS DATE 3-1-04	TITLE: G7 DIMENSION DRAWING
UNITS: IN[mm]	SCALE: BY VIEW		CHECKED: E. KU DATE 4-4-04	DATE 4-4-04
		TECH: J. CAIRO DATE 4-2-04	DATE 4-7-04	SIZE A
		APPROVED: T. SASADA ORIGINAL DESIGN: -	DATE -	REVISION R01
		DRAWING #: DD.G7.FR13.IP00.01		
		PAGE 3 of 3		