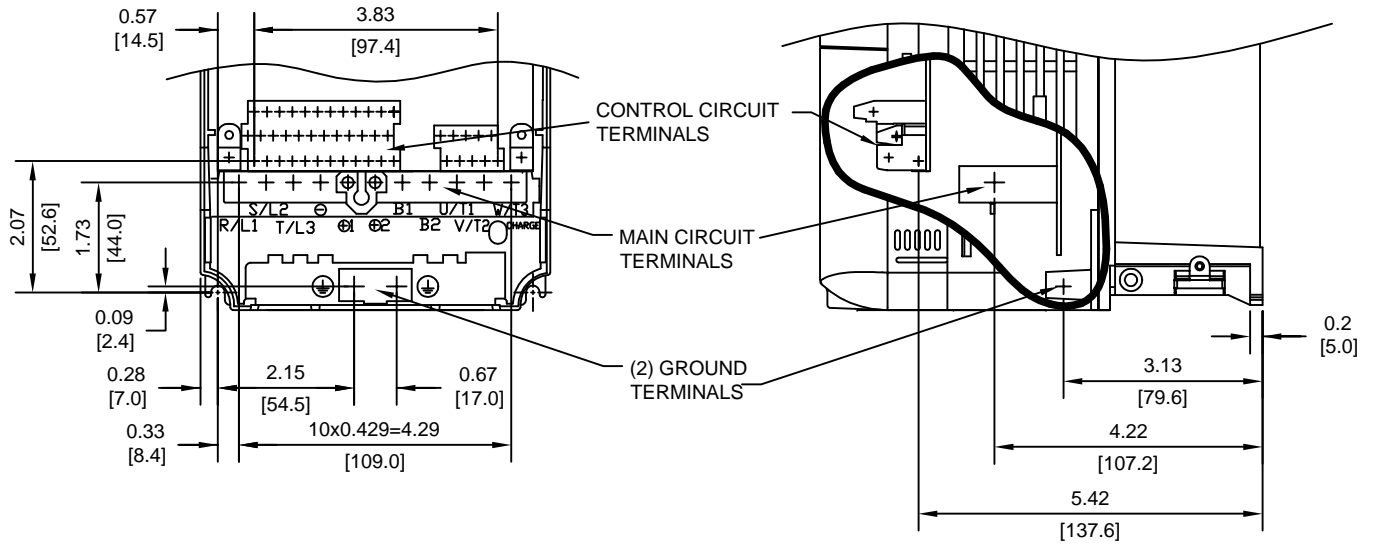


TERMINAL AND WIRING DETAILS (SCALE 1:3)



TERMINAL AND WIRE SPECIFICATIONS FOR MAIN CIRCUIT AND GROUND

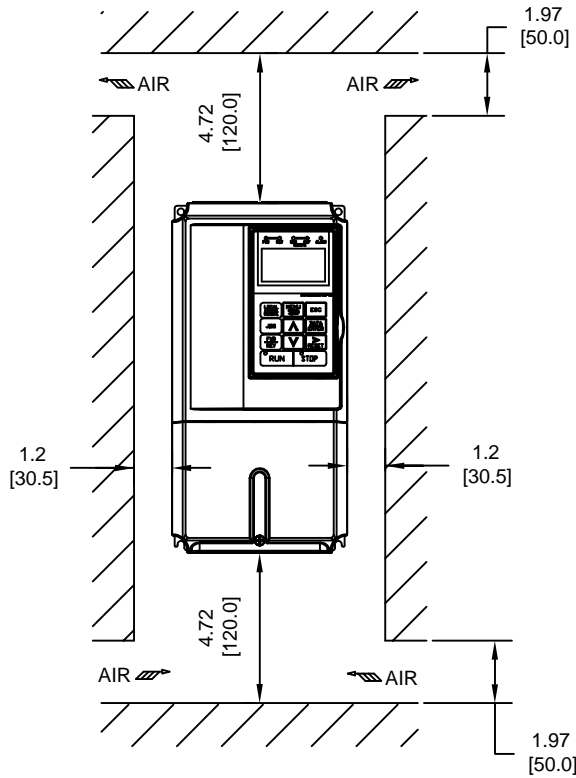
MODEL # CIMR-G7U	TERMINAL SYMBOL	TERMINAL SCREW	CLAMPING TORQUE lb.in.(N.m.)	WIRE RANGE AWG(mm ²)
22P2	R/L1, S/L2, T/L3, ⊙ ⊕1, ⊕2, B1, B2, U/T1, V/T2, W/T3, ⊕	M4	10.6 TO 13.2 (1.2 TO 1.5)	18-10 (0.82-5.5)
23P7	R/L1, S/L2, T/L3, ⊙ ⊕1, ⊕2, B1, B2, U/T1, V/T2, W/T3, ⊕	M4	10.6 TO 13.2 (1.2 TO 1.5)	18-10 (0.82-5.5)
41P5	R/L1, S/L2, T/L3, ⊙ ⊕1, ⊕2, B1, B2, U/T1, V/T2, W/T3, ⊕	M4	10.6 TO 13.2 (1.2 TO 1.5)	18-10 (0.82-5.5)
42P2	R/L1, S/L2, T/L3, ⊙ ⊕1, ⊕2, B1, B2, U/T1, V/T2, W/T3, ⊕	M4	10.6 TO 13.2 (1.2 TO 1.5)	18-10 (0.82-5.5)
43P7	R/L1, S/L2, T/L3, ⊙ ⊕1, ⊕2, B1, B2, U/T1, V/T2, W/T3, ⊕	M4	10.6 TO 13.2 (1.2 TO 1.5)	18-10 (0.82-5.5)
44P0	R/L1, S/L2, T/L3, ⊙ ⊕1, ⊕2, B1, B2, U/T1, V/T2, W/T3, ⊕	M4	10.6 TO 13.2 (1.2 TO 1.5)	18-10 (0.82-5.5)

NOTE: REFER TO APPLICABLE CODES FOR PROPER WIRE TYPE AND SIZE

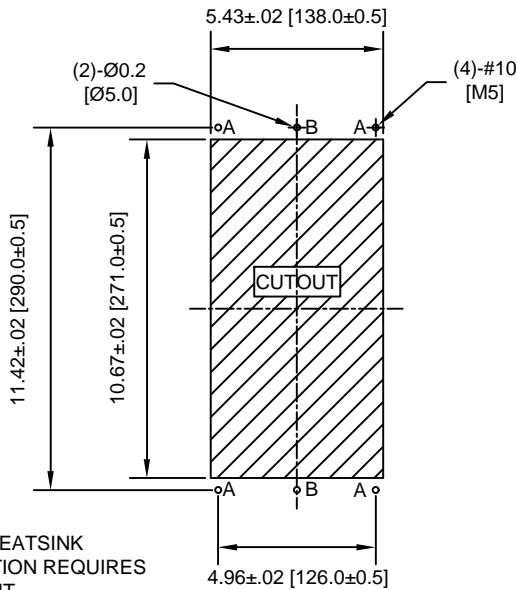
FOR ADDITIONAL DETAILS AND SPECIFICATIONS, CONSULT MANUAL

TOLERANCES/REFERENCES: - - - - -	<p>YASKAWA A World of Automation Solutions™</p> <p>YASKAWA ELECTRIC AMERICA, INC. Corporate Headquarters 2121 Norman Drive South Waukegan, IL 60085 1-800-YASKAWA http://www.yaskawa.com</p>	DRAWN: J. MATTAS	DATE 2-11-04	TITLE: G7 DIMENSION DRAWING		
		CHECKED: E. KU	DATE 4-4-04	FRAME SIZE 2		
		TECH: J. CAIRO	DATE 2-26-04	NEMA TYPE 1/IP20 AND IP00		
		APPROVED: T. SASADA	DATE 5-7-04	G7U22P2 TO 23P7, 41P5 TO 44P0		
UNITS: IN[mm]	SCALE: BY VIEW	ORIGINAL DESIGN: -	DATE -	SIZE A	REVISION -	PAGE 2 of 3
			DRAWING #: DD.G7.FR2.N1.01			

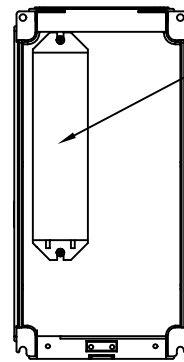
MINIMUM INSTALLATION CLEARANCES (SCALE 1:6)



PANEL CUTOUT FOR EXTERNAL HEATSINK MOUNTING CONFIGURATION (SCALE 1:6)



SIMPLIFIED REAR VIEW (SCALE 1:6)



OPTIONAL
DYNAMIC BRAKING RESISTOR
MOUNTING HARDWARE:
(2)-M4x10 SCREWS

NOTES:

1. EXTERNAL HEATSINK CONFIGURATION REQUIRES MOUNTING KIT
2. EXPOSED HEATSINK DEPTH D=2.32" MINUS PANEL THICKNESS

FOR ADDITIONAL DETAILS AND SPECIFICATIONS, CONSULT MANUAL

TOLERANCES/REFERENCES: - - - - - -		 YASKAWA <i>A World of Automation Solutions™</i> YASKAWA ELECTRIC AMERICA, INC. Corporate Headquarters 2121 Norman Drive South Waukegan, IL 60085 1-800-YASKAWA http://www.yaskawa.com	DRAWN: J. MATTAS DATE: 2-11-04	TITLE: G7 DIMENSION DRAWING
UNITS: IN[mm]	SCALE: BY VIEW		CHECKED: E. KU DATE: 4-4-04	DATE: 2-26-04
		TECH: J. CAIRO DATE: 5-7-04	APPROVED: T. SASADA DATE: 5-7-04	ORIGINAL DESIGN: -
		SIZE: A REVISION: - PAGE: 3 of 3		DRAWING #: DD.G7.FR2.N1.01