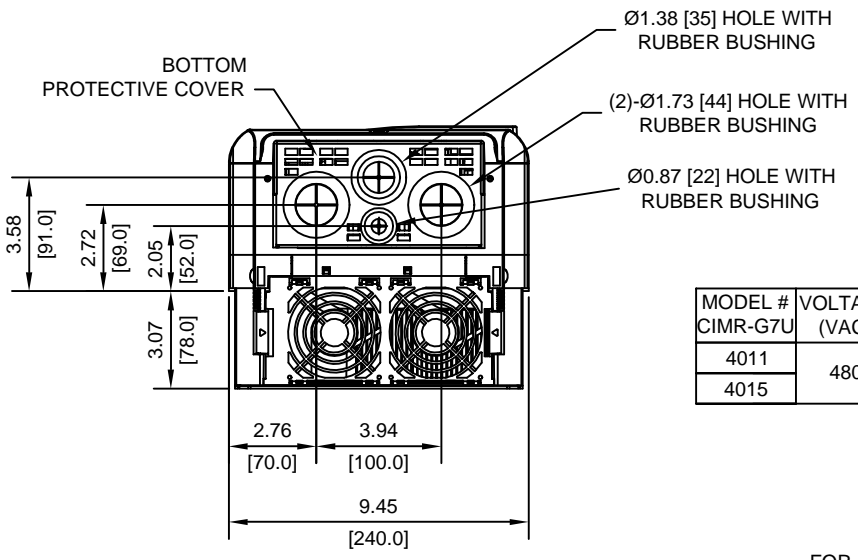
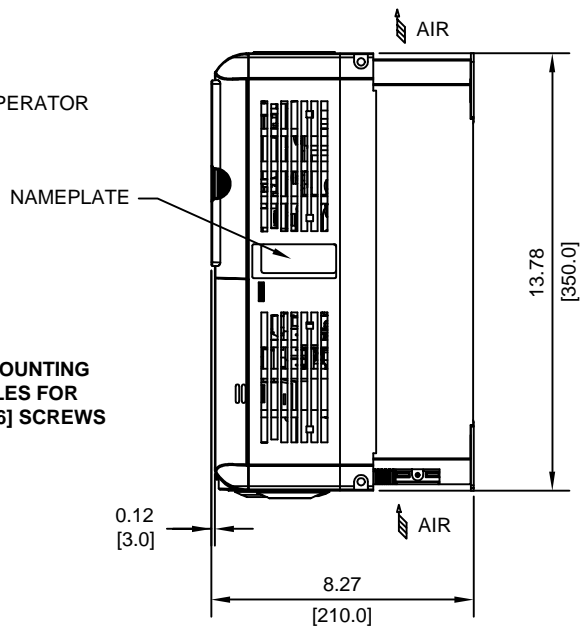
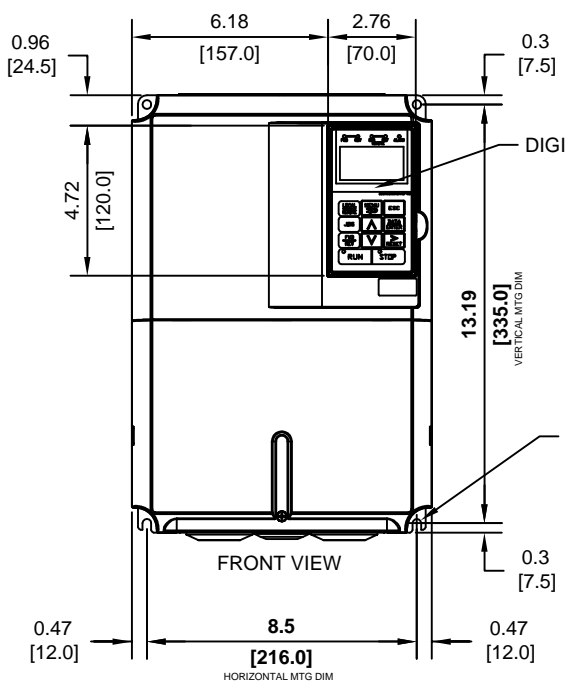


**NOTE:**  
PROTECTIVE COVERS ARE FACTORY INSTALLED TO THE TOP AND BOTTOM OF THE DRIVE TO MEET IP20 & NEMA TYPE 1 REQUIREMENTS, RESULTING IN AN AMBIENT TEMPERATURE RATING OF 104F(40C). REMOVE THESE COVERS WHEN OPERATING THE DRIVE WITHIN A PANEL TO OBTAIN THE MAXIMUM SURROUNDING AIR TEMPERATURE RATING OF 113F(45C). REMOVING THESE COVERS RESULTS IN AN ENCLOSURE RATING OF IP00.



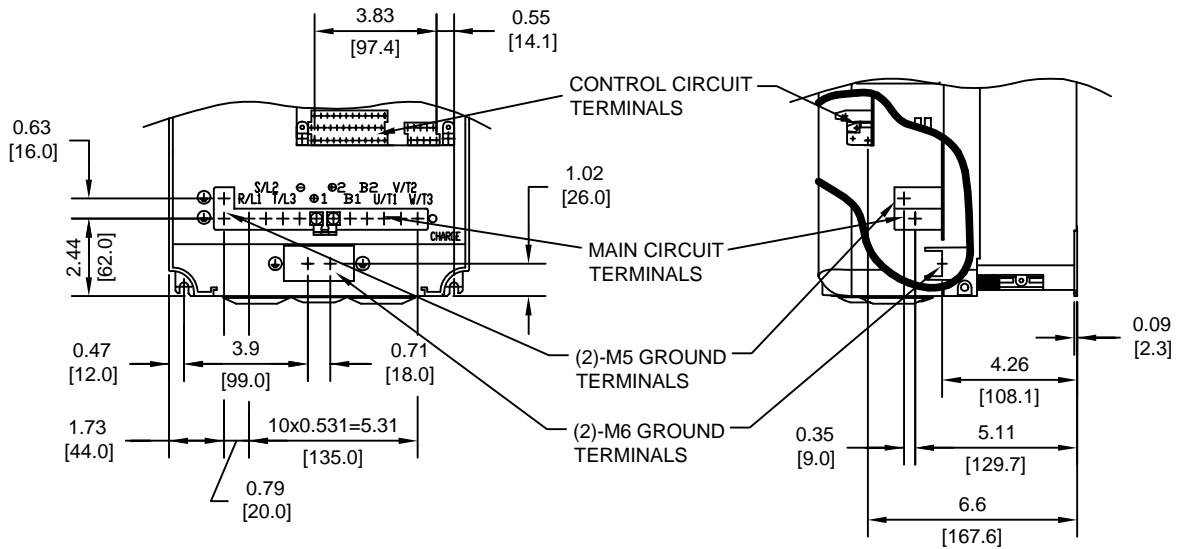
MODEL #	VOLTAGE (VAC)	OUTPUT CURRENT (A)	WEIGHT LBS (Kg)	HEAT LOSS (W)		
				INT	EXT	TOTAL
4011	480	27	22.0 (10.0)	116	246	362
4015		34	22.0 (10.0)	135	311	446

INT=INTERNAL COMPONENTS  
EXT=EXTERNAL HEATSINK

FOR ADDITIONAL DETAILS AND SPECIFICATIONS, CONSULT MANUAL

TOLERANCES/REFERENCES: - - - - - -	<p><b>YASKAWA</b> A World of Automation Solutions™</p> <p>YASKAWA ELECTRIC AMERICA, INC. Corporate Headquarters 2121 Norman Drive South Waukegan, IL 60085 1-800-YASKAWA http://www.yaskawa.com</p>	DRAWN: J. MATTAS	DATE: 2-12-04	TITLE: G7 DIMENSION DRAWING		
		CHECKED: E. KU	DATE: 4-4-04	FRAME SIZE 4B		
		TECH: J. CAIRO	DATE: 3-30-04	NEMA TYPE 1/IP20 AND IP00		
		APPROVED: T. SASADA	DATE: 4-7-04	G7U4011 TO 4015		
UNITS: IN[mm]	SCALE: 1:6	ORIGINAL DESIGN: -	DATE: -	SIZE: A	REVISION: -	PAGE: 1 of 2
			DRAWING #: DD.G7.FR4B.N1.01			

TERMINAL AND WIRING DETAILS (SCALE 1:6)

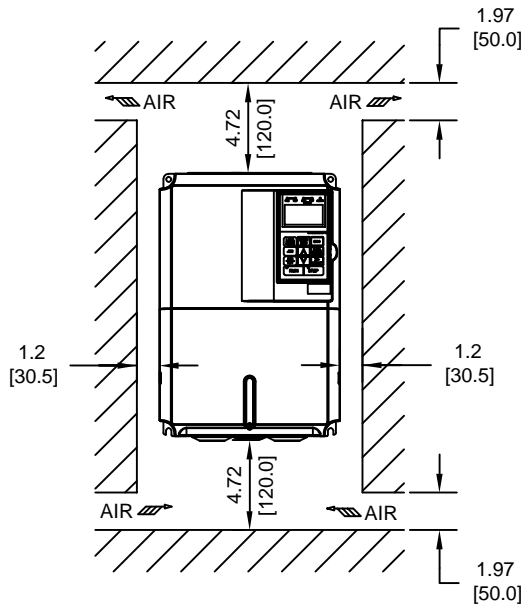


TERMINAL AND WIRE SPECIFICATIONS FOR MAIN CIRCUIT AND GROUND

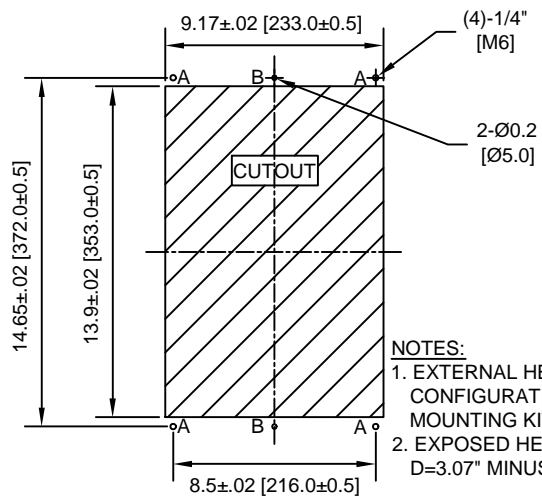
MODEL # CIMR-G7U	TERMINAL SYMBOL	TERMINAL SCREW	CLAMPING TORQUE lb.in.(N.m.)	WIRE RANGE AWG(mm <sup>2</sup> )
4011	R/L1, S/L2, T/L3, U, ⊕1, ⊕2, U/T1, V/T2, W/T3, B1, B2	M5	20.4 TO 22.0 (2.3 TO 2.5)	10-6 (5.5-14)
	⊕	M5	20.4 TO 22.0 (2.3 TO 2.5)	10-6 (5.5-14)
4015	R/L1, S/L2, T/L3, U, ⊕1, ⊕2, U/T1, V/T2, W/T3, B1, B2	M5	20.4 TO 22.0 (2.3 TO 2.5)	10-6 (5.5-14)
	⊕	M5	20.4 TO 22.0 (2.3 TO 2.5)	10-6 (5.5-14)
		M6	35.2 TO 44.0 (4.0 TO 5.0)	10-6 (5.5-14)
		M6	35.2 TO 44.0 (4.0 TO 5.0)	10-6 (5.5-14)

NOTE: REFER TO APPLICABLE CODES FOR PROPER WIRE TYPE AND SIZE

MINIMUM INSTALLATION CLEARANCES (SCALE 1:10)



PANEL CUTOUT FOR EXTERNAL HEATSINK MOUNTING CONFIGURATION (SCALE 1:8)



- NOTES:  
 1. EXTERNAL HEATSINK CONFIGURATION REQUIRES MOUNTING KIT  
 2. EXPOSED HEATSINK DEPTH D=3.07" MINUS PANEL THICKNESS

FOR ADDITIONAL DETAILS AND SPECIFICATIONS, CONSULT MANUAL

TOLERANCES/REFERENCES: - - - - -	<p><b>YASKAWA</b> A World of Automation Solutions™</p> <p>YASKAWA ELECTRIC AMERICA, INC. Corporate Headquarters 2121 Norman Drive South Waukegan, IL 60085 1-800-YASKAWA http://www.yaskawa.com</p>	DRAWN: J. MATTAS	DATE: 2-12-04	TITLE: G7 DIMENSION DRAWING	
		CHECKED: E. KU	DATE: 4-4-04	FRAME SIZE 4B	
UNITS: IN[mm]	SCALE: BY VIEW	TECH: J. CAIRO	DATE: 3-30-04	SIZE: A	REVISION: -
		APPROVED: T. SASADA	DATE: 4-7-04		PAGE: 2 of 2
		ORIGINAL DESIGN: -	DATE: -	DRAWING #: DD.G7.FR4B.N1.01	