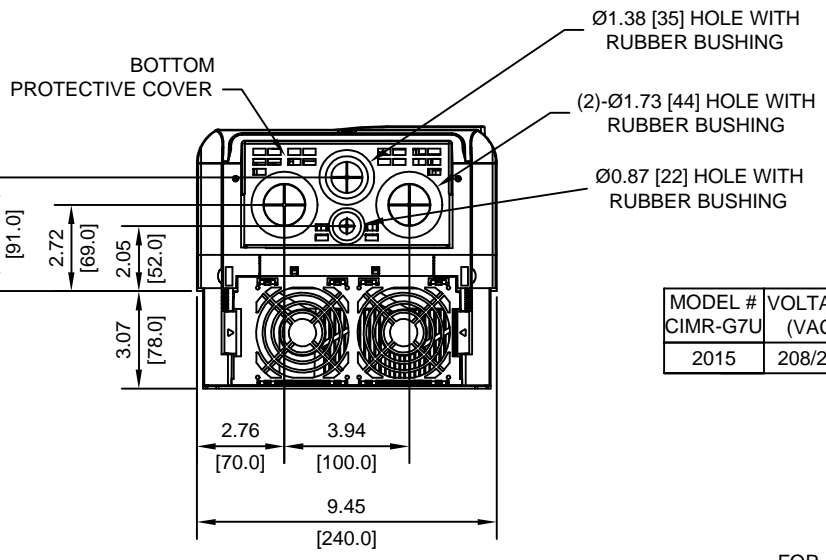
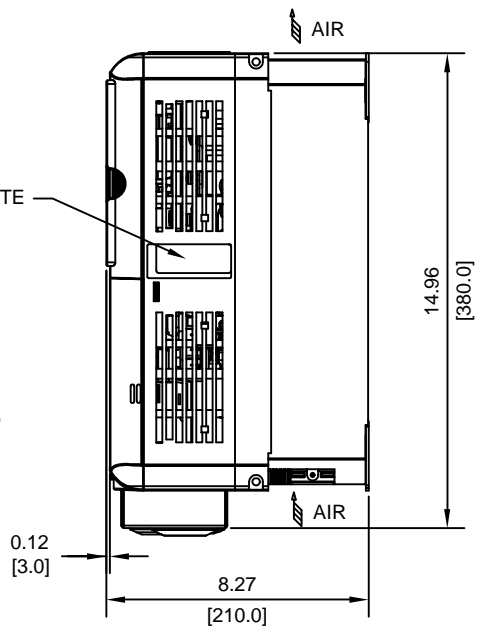
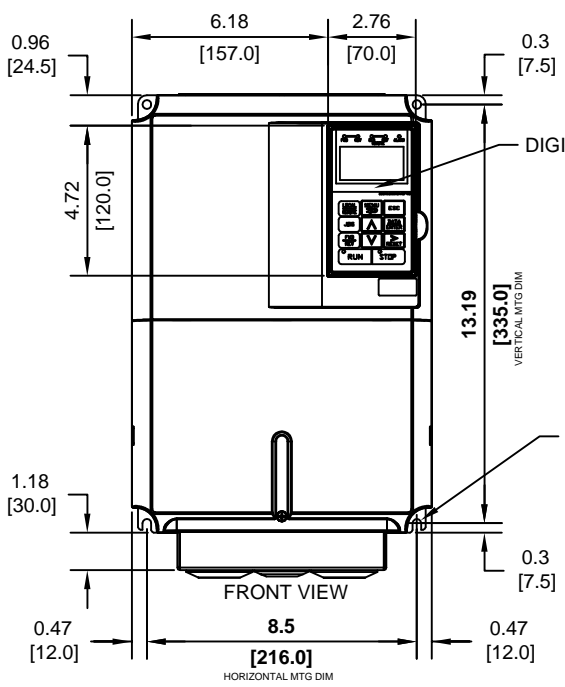


NOTE:
PROTECTIVE COVERS ARE FACTORY INSTALLED TO THE TOP AND BOTTOM OF THE DRIVE TO MEET IP20 & NEMA TYPE 1 REQUIREMENTS, RESULTING IN AN AMBIENT TEMPERATURE RATING OF 104F(40C). REMOVE THESE COVERS WHEN OPERATING THE DRIVE WITHIN A PANEL TO OBTAIN THE MAXIMUM SURROUNDING AIR TEMPERATURE RATING OF 113F(45C). REMOVING THESE COVERS RESULTS IN AN ENCLOSURE RATING OF IP00.



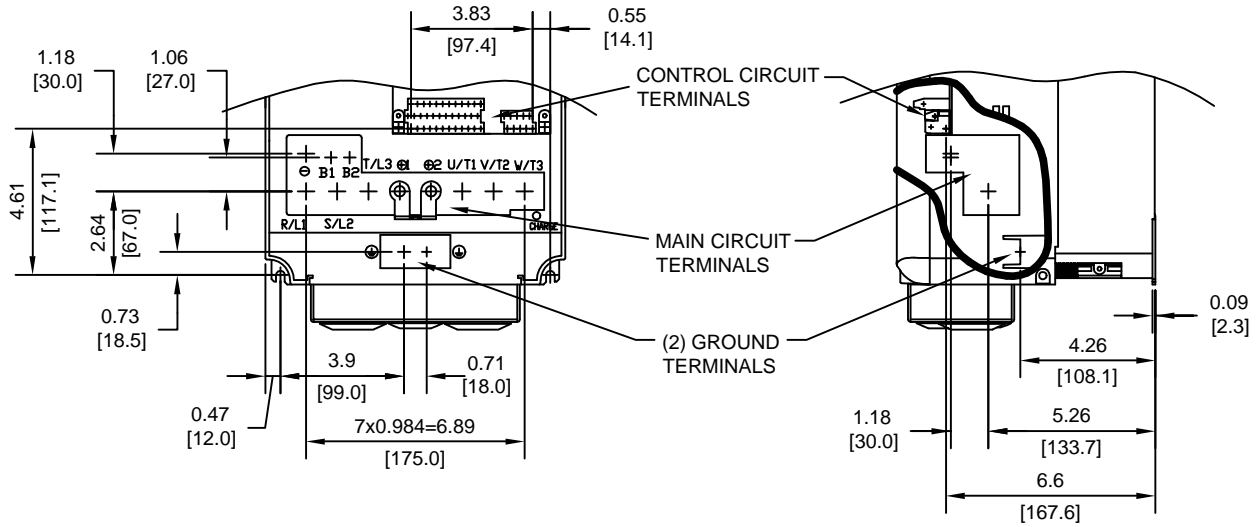
MODEL #	VOLTAGE (VAC)	OUTPUT CURRENT (A)	WEIGHT LBS (Kg)	HEAT LOSS (W)		
				INT	EXT	TOTAL
CIMR-G7U	208/240	66	24.2 (11.0)	174	473	647

INT=INTERNAL COMPONENTS
EXT=EXTERNAL HEATSINK

FOR ADDITIONAL DETAILS AND SPECIFICATIONS, CONSULT MANUAL

TOLERANCES/REFERENCES:		<p>YASKAWA A World of Automation Solutions™</p> <p>YASKAWA ELECTRIC AMERICA, INC. Corporate Headquarters 2121 Norman Drive South Waukegan, IL 60085 1-800-YASKAWA http://www.yaskawa.com</p>	DRAWN: J. MATTAS CHECKED: E. KU TECH: J. CAIRO APPROVED: T. SASADA ORIGINAL DESIGN: -	DATE: 2-12-04 DATE: 4-4-04 DATE: 3-30-04 DATE: 4-7-04 DATE: -	TITLE: G7 DIMENSION DRAWING FRAME SIZE 4C NEMA TYPE 1/IP20 AND IP00 G7U2015
UNITS: IN[mm]	SCALE: 1:6		SIZE: A REVISION: - PAGE: 1 of 2	DRAWING #: DD.G7.FR4C.N1.01	

TERMINAL AND WIRING DETAILS (SCALE 1:6)

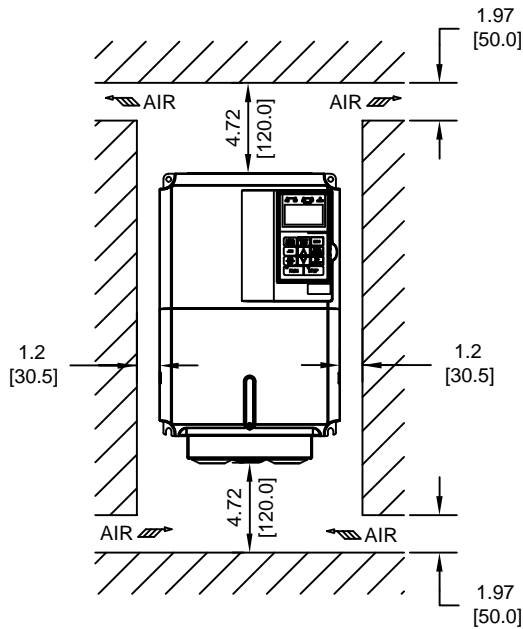


TERMINAL AND WIRE SPECIFICATIONS FOR MAIN CIRCUIT AND GROUND

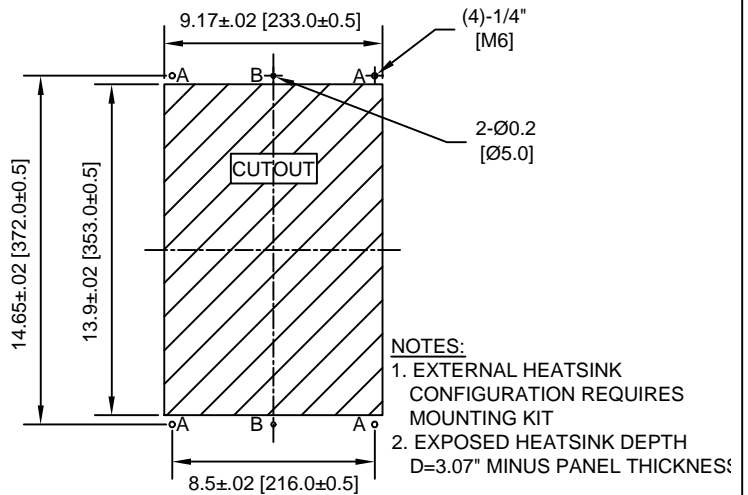
MODEL # CIMR-G7U	TERMINAL SYMBOL	TERMINAL SCREW	CLAMPING TORQUE lb.in.(N.m.)	WIRE RANGE AWG(mm ²)
2015	R/L1, S/L2, T/L3, U, U1, U2, U3, V/T1, V/T2, W/T3	M8	79.2 TO 88.0 (9.0 TO 10.0)	8-1 (8-50)
	B1, B2	M5	20.4 TO 22.0 (2.3 TO 2.5)	12-6 (3.5-14)
	⊕	M6	35.2 TO 44.0 (4.0 TO 5.0)	SEE NOTE

NOTE: REFER TO APPLICABLE CODES FOR PROPER WIRE TYPE AND SIZE

MINIMUM INSTALLATION CLEARANCES (SCALE 1:10)



PANEL CUTOUT FOR EXTERNAL HEATSINK MOUNTING CONFIGURATION (SCALE 1:8)



FOR ADDITIONAL DETAILS AND SPECIFICATIONS, CONSULT MANUAL

TOLERANCES/REFERENCES: - - - -	<p>YASKAWA A World of Automation Solutions™</p> <p>YASKAWA ELECTRIC AMERICA, INC. Corporate Headquarters 2121 Norman Drive South Waukegan, IL 60085 1-800-YASKAWA http://www.yaskawa.com</p>	DRAWN: J. MATTAS	DATE: 2-12-04	TITLE: G7 DIMENSION DRAWING
		CHECKED: E. KU	DATE: 4-4-04	FRAME SIZE 4C
		TECH: J. CAIRO	DATE: 3-30-04	NEMA TYPE 1/IP20 AND IP00
		APPROVED: T. SASADA	DATE: 4-7-04	G7U2015
UNITS: IN[mm]	SCALE: BY VIEW	ORIGINAL DESIGN: -	DATE: -	DRAWING #: DD.G7.FR4C.N1.01
		SIZE: A	REVISION: -	PAGE: 2 of 2