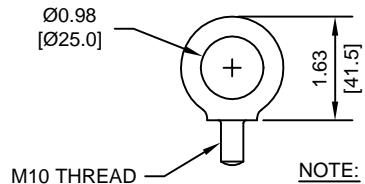
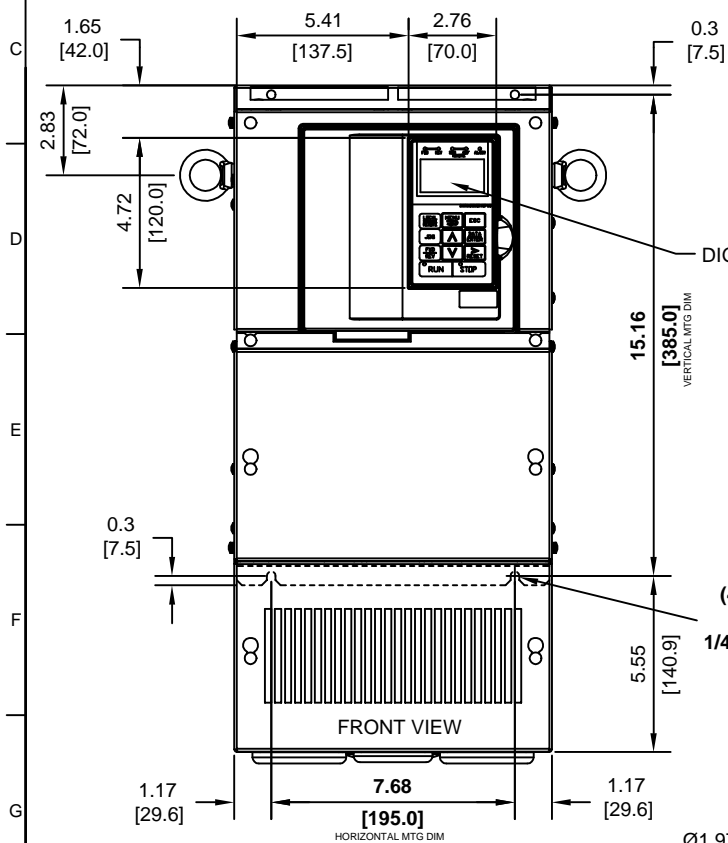


LIFTING AND EYEBOLT DETAILS



NOTE:
SPREADER BAR REQUIRED TO AVOID DAMAGE DURING LIFTING

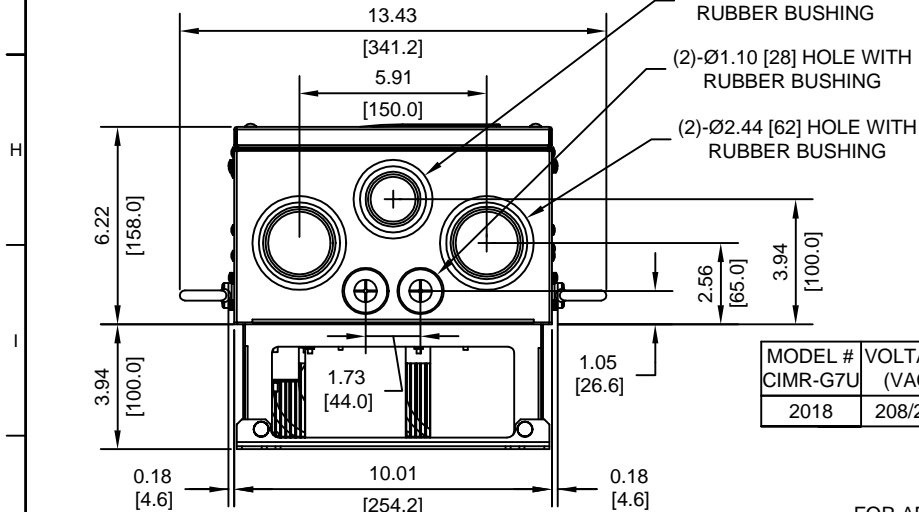
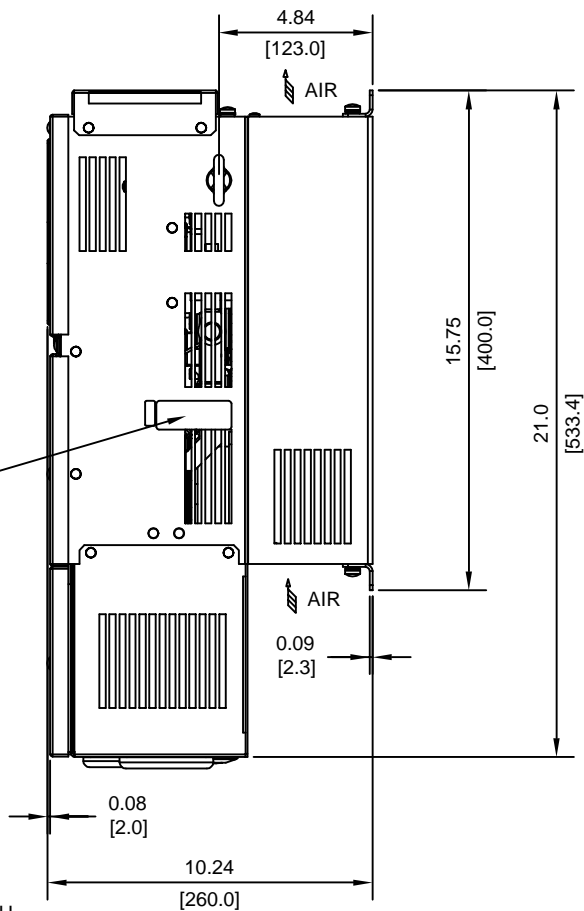


DIGITAL OPERATOR

NAMEPLATE

(4)-MOUNTING HOLES FOR 1/4" [M6] SCREWS

FRONT VIEW



Ø1.97 [50] HOLE WITH RUBBER BUSHING

(2)-Ø1.10 [28] HOLE WITH RUBBER BUSHING

(2)-Ø2.44 [62] HOLE WITH RUBBER BUSHING

MODEL #	VOLTAGE (VAC)	OUTPUT CURRENT (A)	WEIGHT LBS (Kg)	HEAT LOSS (W)		
				INT	EXT	TOTAL
2018	208/240	80	53 (24)	241	599	840

INT=INTERNAL COMPONENTS
EXT=EXTERNAL HEATSINK

FOR ADDITIONAL DETAILS AND SPECIFICATIONS, CONSULT MANUAL

TOLERANCES/REFERENCES:	
-	-
-	-
-	-
-	-
-	-
UNITS:	SCALE:
IN[mm]	1:6

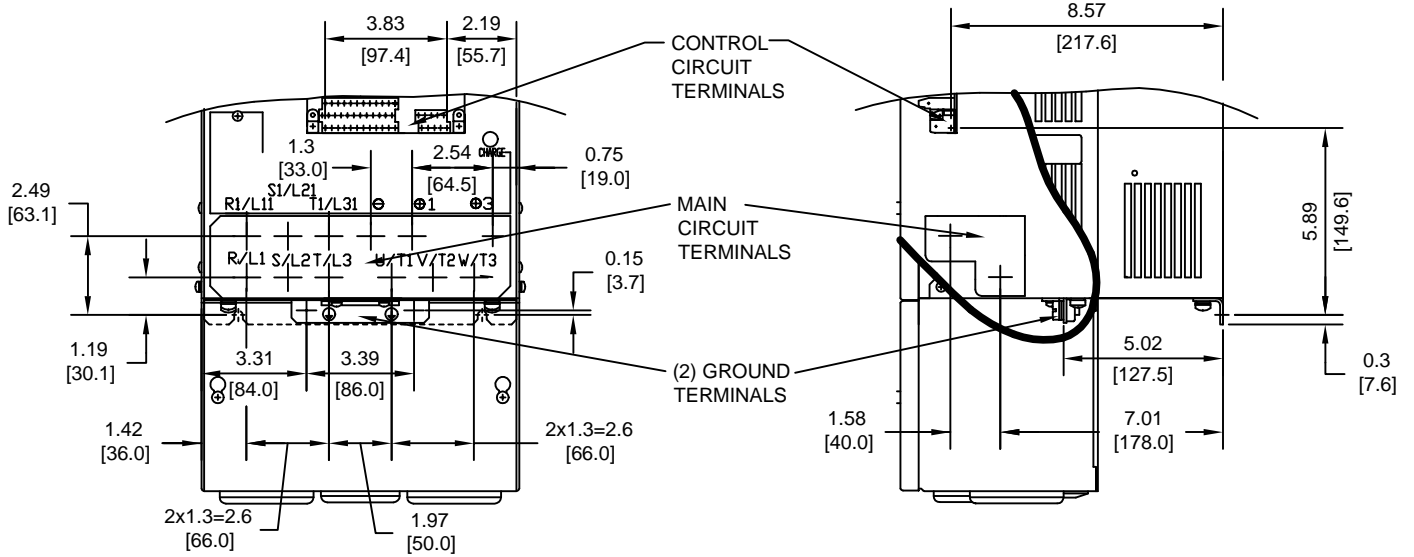
YASKAWA
A World of Automation Solutions™

YASKAWA ELECTRIC AMERICA, INC.
Corporate Headquarters
2121 Norman Drive South
Waukegan, IL 60085
1-800-YASKAWA
<http://www.yaskawa.com>

DRAWN:	J. MATTAS	DATE:	2-12-04
CHECKED:	E. KU	DATE:	4-4-04
TECH:	J. CAIRO	DATE:	3-30-04
APPROVED:	T. SASADA	DATE:	4-7-04
ORIGINAL DESIGN:	-	DATE:	-

TITLE:		
G7 DIMENSION DRAWING		
FRAME SIZE 5		
NEMA TYPE 1/IP20 ENCLOSURE		
G7U2018		
SIZE	REVISION	PAGE
A	-	1 of 2
DRAWING #:		
DD.G7.FR5.N1.01		

TERMINAL AND WIRING DETAILS (SCALE 1:6)

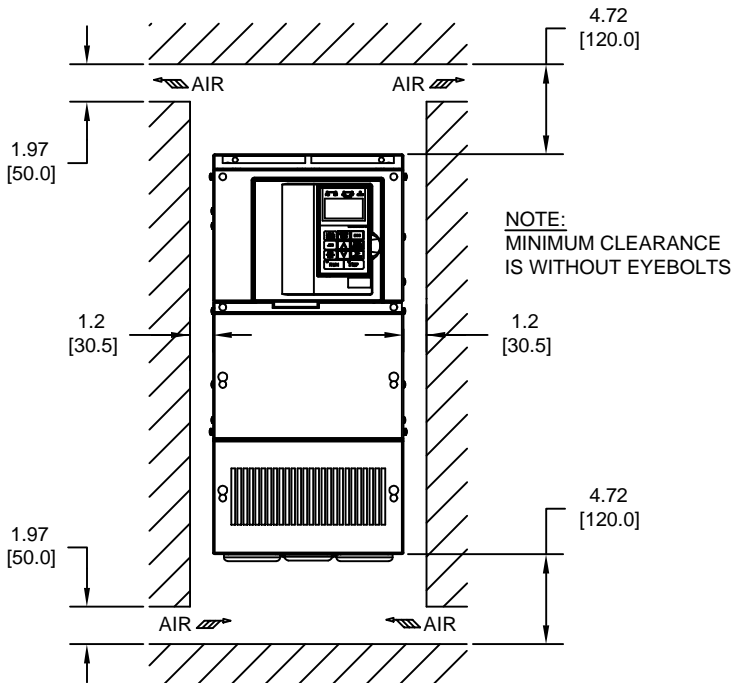


TERMINAL AND WIRE SPECIFICATIONS FOR MAIN CIRCUIT AND GROUND

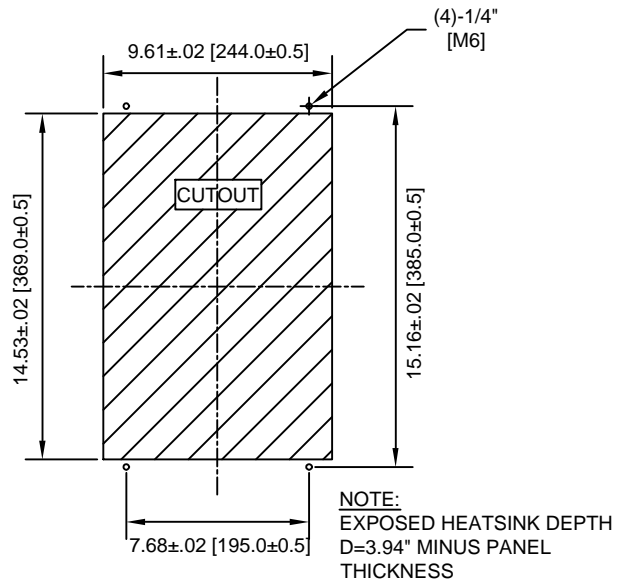
MODEL #	TERMINAL SYMBOL	TERMINAL SCREW	CLAMPING TORQUE lb.in.(N.m.)	WIRE RANGE AWG(mm ²)
CIMR-G7U	R/L1, S/L2, T/L3, Ⓞ, ⊕1, R1/L11, S1/L21, T1/L31, U/T1, V/T2, W/T3	M8	79.2 TO 88.0 (9.0 TO 10.0)	8-1/0 (8-60)
2018	⊕3	M6	35.2 TO 44.0 (4.0 TO 5.0)	8-4 (8-22)
	Ⓞ	M8	79.2 TO 88.0 (9.0 TO 10.0)	SEE NOTE

NOTE: REFER TO APPLICABLE CODES FOR PROPER WIRE TYPE AND SIZE

MINIMUM INSTALLATION CLEARANCES (SCALE 1:10)



PANEL CUTOUT FOR EXTERNAL HEATSINK MOUNTING CONFIGURATION (SCALE 1:8)



FOR ADDITIONAL DETAILS AND SPECIFICATIONS, CONSULT MANUAL

TOLERANCES/REFERENCES: - - - - - -	<p>YASKAWA A World of Automation Solutions™</p> <p>YASKAWA ELECTRIC AMERICA, INC. Corporate Headquarters 2121 Norman Drive South Waukegan, IL 60085 1-800-YASKAWA http://www.yaskawa.com</p>	DRAWN: J. MATTAS	DATE: 2-12-04	TITLE: G7 DIMENSION DRAWING
		CHECKED: E. KU	DATE: 4-4-04	FRAME SIZE 5
		TECH: J. CAIRO	DATE: 3-30-04	NEMA TYPE 1/IP20 ENCLOSURE G7U2018
		APPROVED: T. SASADA	DATE: 4-7-04	
UNITS: IN[mm]	SCALE: BY VIEW	ORIGINAL DESIGN: -	DATE: -	DRAWING #: DD.G7.FR5.N1.01
				SIZE: A
				REVISION: -
				PAGE: 2 of 2