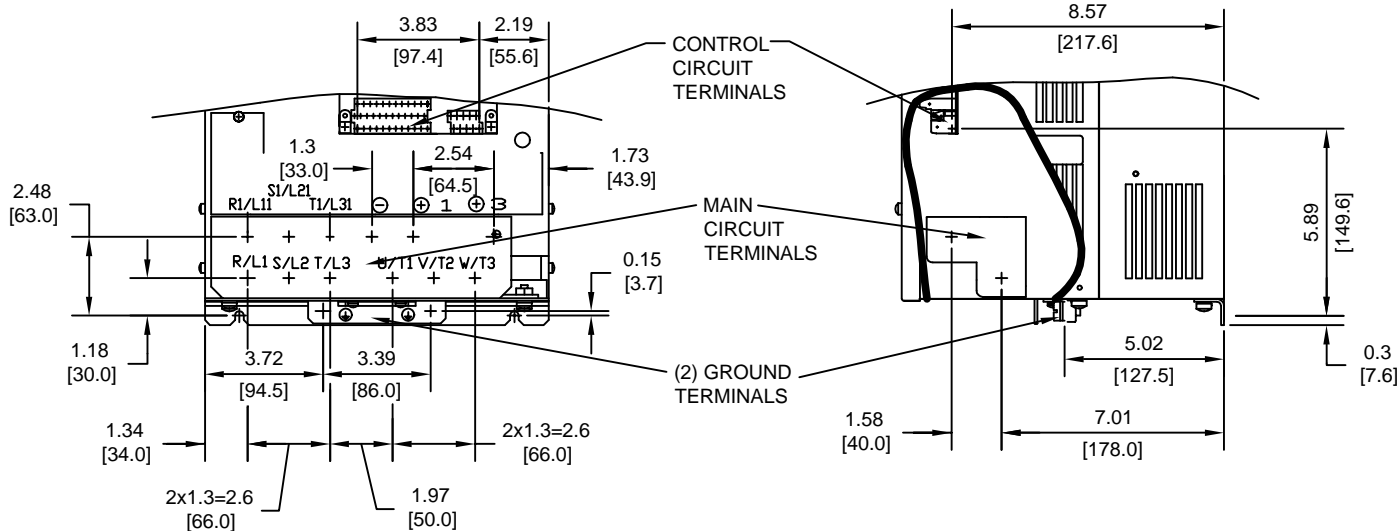


TERMINAL AND WIRING DETAILS (SCALE 1:6)



TERMINAL AND WIRE SPECIFICATIONS FOR MAIN CIRCUIT AND GROUND

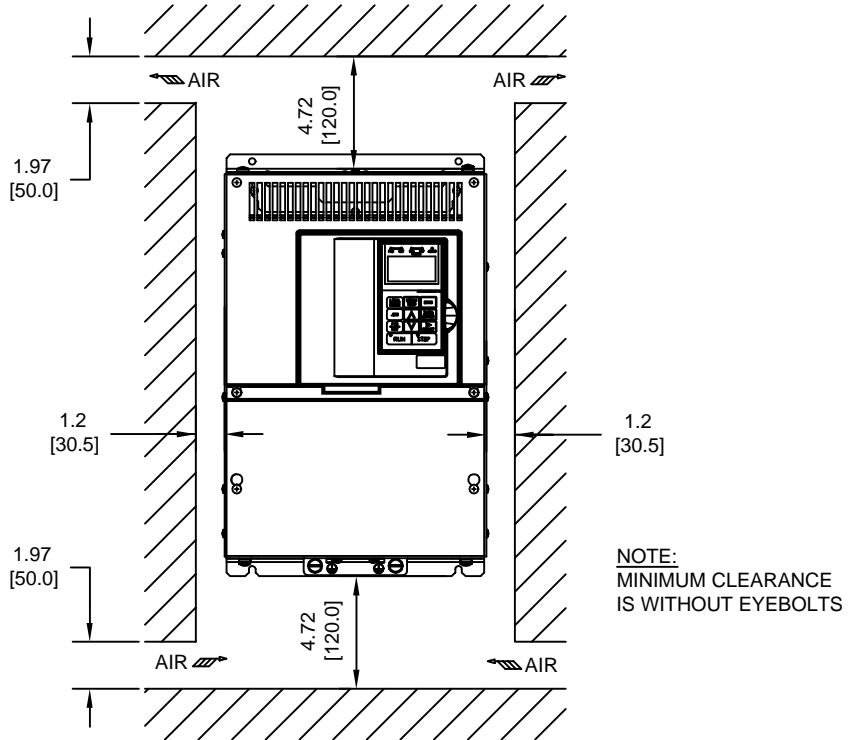
MODEL # CIMR-G7U	TERMINAL SYMBOL	TERMINAL SCREW	CLAMPING TORQUE lb.in.(N.m.)	WIRE RANGE AWG(mm ²)
2022	R/L1, S/L2, T/L3, ⊖, ⊕1, R1/L11, S1/L21, T1/L31, U/T1, V/T2, W/T3	M8	79.2 TO 88.0 (9.0 TO 10.0)	8-1/0 (8-60)
	⊕3	M6	35.2 TO 44.0 (4.0 TO 5.0)	8-4 (8-22)
	⊖	M8	79.2 TO 88.0 (9.0 TO 10.0)	SEE NOTE
4018	R/L1, S/L2, T/L3, ⊖, ⊕1, R1/L11, S1/L21, T1/L31, U/T1, V/T2, W/T3	M6	35.2 TO 44.0 (4.0 TO 5.0)	12-3 (3.5-30)
	⊕3	M6	35.2 TO 44.0 (4.0 TO 5.0)	12-8 (3.5-8)
	⊖	M8	79.2 TO 88.0 (9.0 TO 10.0)	SEE NOTE
4022	R/L1, S/L2, T/L3, ⊖, ⊕1, R1/L11, S1/L21, T1/L31, U/T1, V/T2, W/T3	M6	35.2 TO 44.0 (4.0 TO 5.0)	12-3 (3.5-30)
	⊕3	M6	35.2 TO 44.0 (4.0 TO 5.0)	12-8 (3.5-8)
	⊖	M8	79.2 TO 88.0 (9.0 TO 10.0)	SEE NOTE

NOTE: REFER TO APPLICABLE CODES FOR PROPER WIRE TYPE AND SIZE

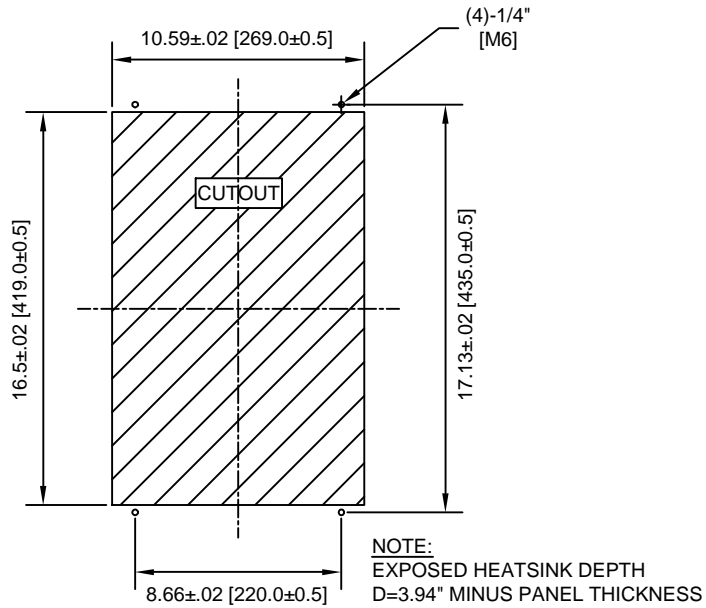
FOR ADDITIONAL DETAILS AND SPECIFICATIONS, CONSULT MANUAL

TOLERANCES/REFERENCES: - - - - -	<p>YASKAWA A World of Automation Solutions™</p> <p>YASKAWA ELECTRIC AMERICA, INC. Corporate Headquarters 2121 Norman Drive South Waukegan, IL 60085 1-800-YASKAWA http://www.yaskawa.com</p>	DRAWN: J. MATTAS	DATE: 2-13-04	TITLE: G7 DIMENSION DRAWING		
		CHECKED: E. KU	DATE: 4-4-04	FRAME SIZE 6		
		TECH: J. CAIRO	DATE: 3-30-04	IP00 ENCLOSURE		
		APPROVED: T. SASADA	DATE: 4-7-04	G7U2022, 4018, 4022		
UNITS: IN[mm]	SCALE: BY VIEW	ORIGINAL DESIGN: -	DATE: -	SIZE: A	REVISION: -	PAGE: 2 of 3
				DRAWING #: DD.G7.FR6.IP00.01		

MINIMUM INSTALLATION CLEARANCES (SCALE 1:8)



PANEL CUTOUT FOR EXTERNAL HEATSINK MOUNTING CONFIGURATION (SCALE 1:8)



FOR ADDITIONAL DETAILS AND SPECIFICATIONS, CONSULT MANUAL

TOLERANCES/REFERENCES: - - - - - -		<p>YASKAWA A World of Automation Solutions™</p> <p>YASKAWA ELECTRIC AMERICA, INC. Corporate Headquarters 2121 Norman Drive South Waukegan, IL 60085 1-800-YASKAWA http://www.yaskawa.com</p>	DRAWN: J. MATTAS DATE: 2-13-04	TITLE: G7 DIMENSION DRAWING FRAME SIZE 6 IP00 ENCLOSURE G7U2022, 4018, 4022		
UNITS: IN[mm]	SCALE: BY VIEW		CHECKED: E. KU DATE: 4-4-04	TECH: J. CAIRO DATE: 3-30-04	SIZE A	REVISION -
		APPROVED: T. SASADA DATE: 4-7-04	ORIGINAL DESIGN: -	DATE: -	DRAWING #: DD.G7.FR6.IP00.01	