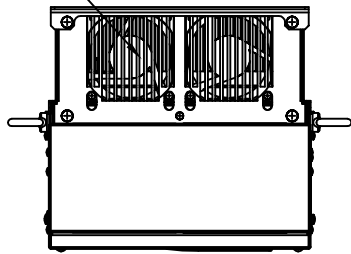
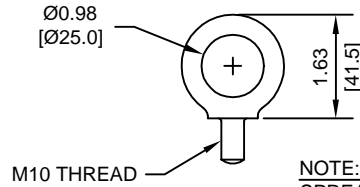


(2) EXTERNAL COOLING FANS

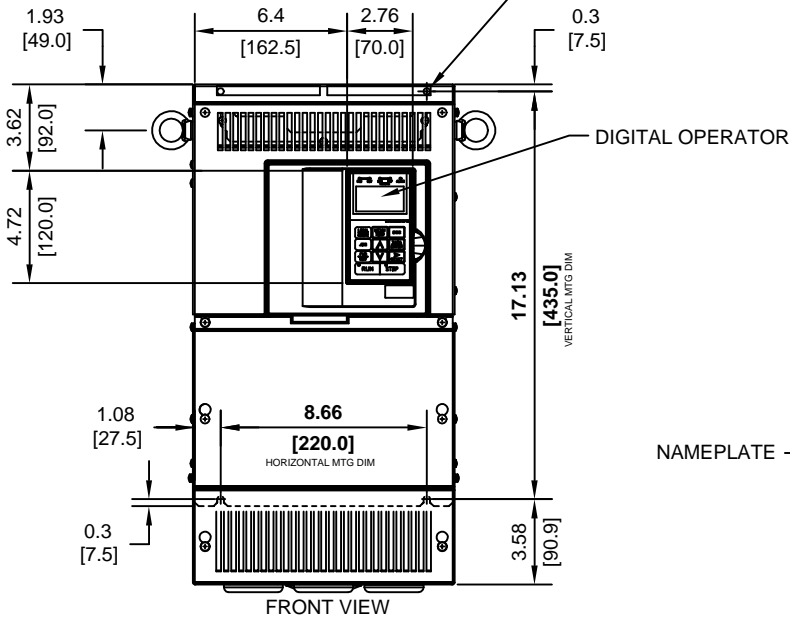


LIFTING AND EYEBOLT DETAILS

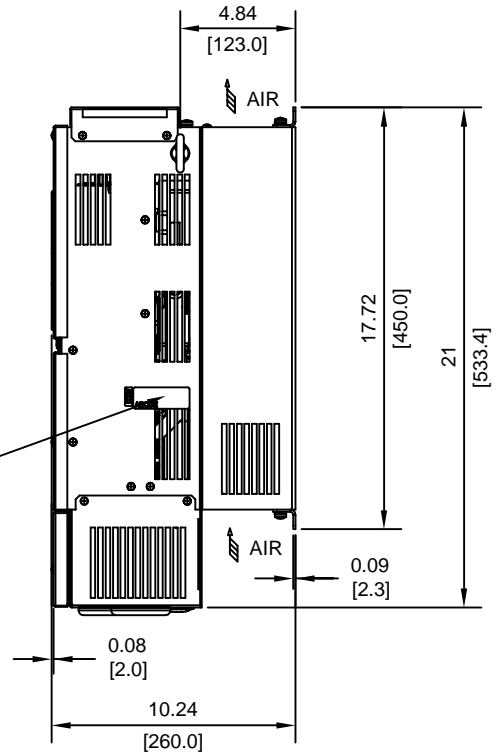


NOTE: SPREADER BAR REQUIRED TO AVOID DAMAGE DURING LIFTING

(4)-MOUNTING HOLES FOR 1/4" [M6] SCREWS



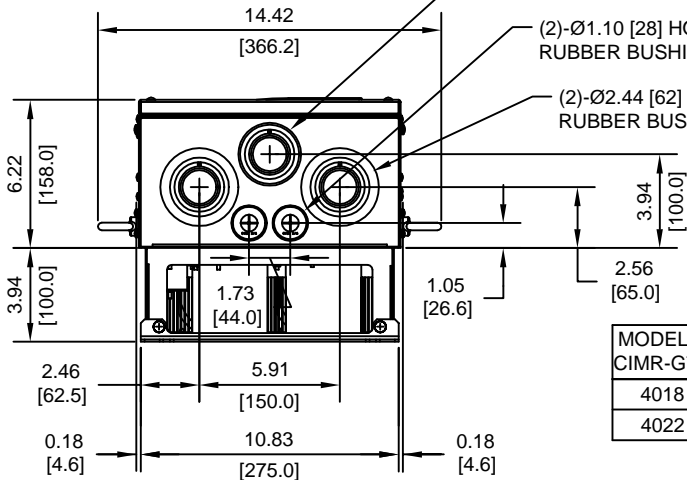
NAMEPLATE



Ø1.97 [50] HOLE WITH RUBBER BUSHING

(2)-Ø1.10 [28] HOLE WITH RUBBER BUSHING

(2)-Ø2.44 [62] HOLE WITH RUBBER BUSHING



MODEL #	VOLTAGE (VAC)	OUTPUT CURRENT (A)	WEIGHT LBS (Kg)	HEAT LOSS (W)		
				INT	EXT	TOTAL
CIMR-G7U 4018	480	42	64 (29)	174	354	528
4022		52	64 (29)	210	516	726

INT=INTERNAL COMPONENTS  
EXT=EXTERNAL HEATSINK

FOR ADDITIONAL DETAILS AND SPECIFICATIONS, CONSULT MANUAL

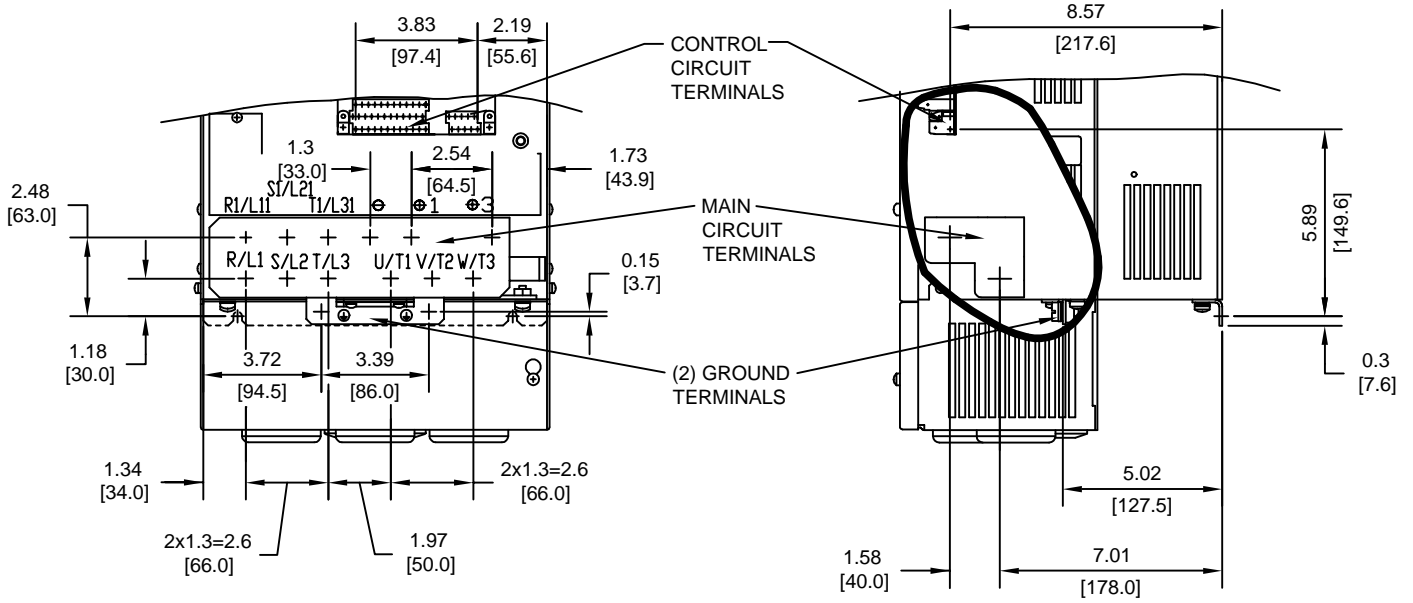
TOLERANCES/REFERENCES:  
-  
-  
-  
-  
-  
-  
-  
-  
-  
-  
UNITS: IN[mm] SCALE: 1:8

**YASKAWA**  
A World of Automation Solutions™  
YASKAWA ELECTRIC AMERICA, INC.  
Corporate Headquarters  
2121 Norman Drive South  
Waukegan, IL 60085  
1-800-YASKAWA  
http://www.yaskawa.com

DRAWN: J. MATTAS	DATE: 2-13-04
CHECKED: E. KU	DATE: 4-4-04
TECH: J. CAIRO	DATE: 3-30-04
APPROVED: T. SASADA	DATE: 4-7-04
ORIGINAL DESIGN: -	DATE: -

TITLE: G7 DIMENSION DRAWING FRAME SIZE 6B NEMA TYPE 1/IP20 ENCLOSURE G7U4018, 4022		
SIZE: A	REVISION: -	PAGE: 1 of 3
DRAWING #: DD.G7.FR6B.N1.01		

TERMINAL AND WIRING DETAILS (SCALE 1:6)




TERMINAL AND WIRE SPECIFICATIONS FOR MAIN CIRCUIT AND GROUND

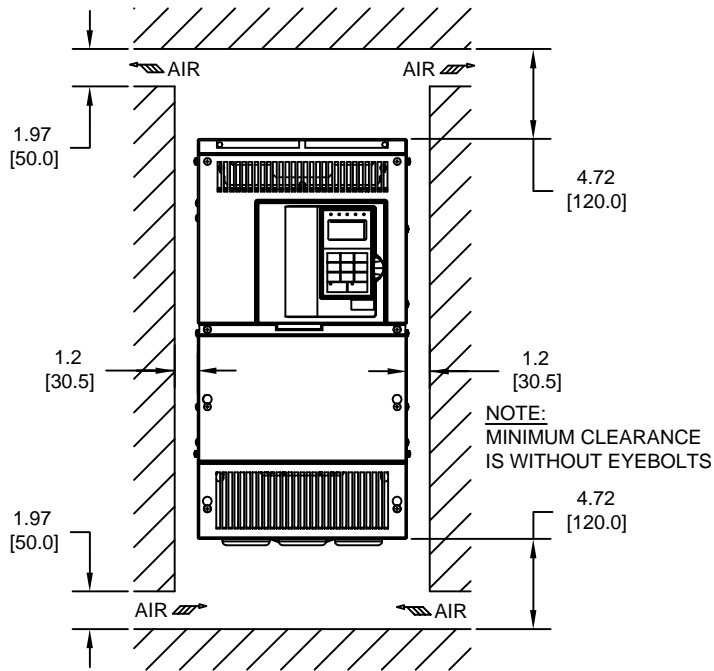
MODEL # CIMR-G7U	TERMINAL SYMBOL	TERMINAL SCREW	CLAMPING TORQUE lb.in.(N.m.)	WIRE RANGE AWG(mm <sup>2</sup> )
4018	R/L1, S/L2, T/L3, Ⓞ, ⊕1, R1/L11, S1/L21, T1/L31, U/T1, V/T2, W/T3.	M6	35.2 TO 44.0 (4.0 TO 5.0)	12-3 (3.5-30)
	⊕3	M6	35.2 TO 44.0 (4.0 TO 5.0)	12-8 (3.5-8)
	Ⓞ	M8	79.2 TO 88.0 (9.0 TO 10.0)	SEE NOTE
4022	R/L1, S/L2, T/L3, Ⓞ, ⊕1, R1/L11, S1/L21, T1/L31, U/T1, V/T2, W/T3.	M6	35.2 TO 44.0 (4.0 TO 5.0)	12-3 (3.5-30)
	⊕3	M6	35.2 TO 44.0 (4.0 TO 5.0)	12-8 (3.5-8)
	Ⓞ	M8	79.2 TO 88.0 (9.0 TO 10.0)	SEE NOTE

NOTE: REFER TO APPLICABLE CODES FOR PROPER WIRE TYPE AND SIZE

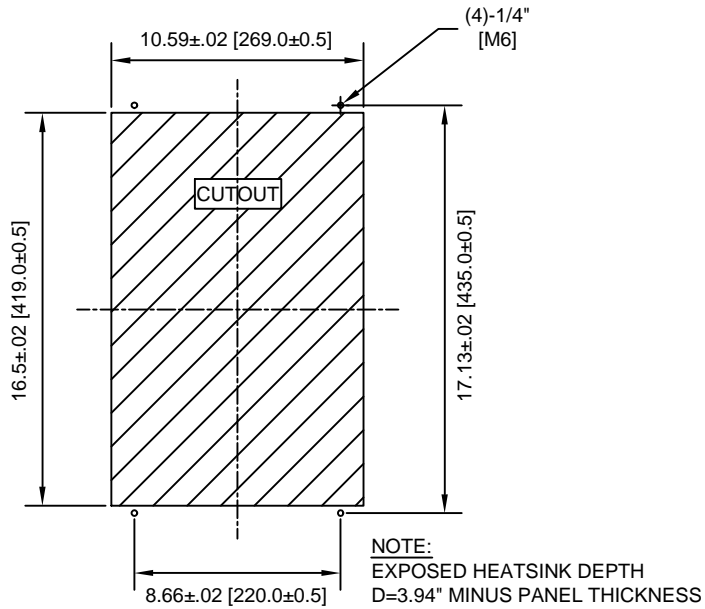
FOR ADDITIONAL DETAILS AND SPECIFICATIONS, CONSULT MANUAL

TOLERANCES/REFERENCES: - - - - - -	 <b>YASKAWA</b> <i>A World of Automation Solutions™</i> <b>YASKAWA ELECTRIC AMERICA, INC.</b> Corporate Headquarters 2121 Norman Drive South Waukegan, IL 60085 1-800-YASKAWA <a href="http://www.yaskawa.com">http://www.yaskawa.com</a>	DRAWN: <b>J. MATTAS</b>	DATE: <b>2-13-04</b>	TITLE: <b>G7 DIMENSION DRAWING</b>		
		CHECKED: <b>E. KU</b>	DATE: <b>4-4-04</b>	<b>FRAME SIZE 6B</b>		
		TECH: <b>J. CAIRO</b>	DATE: <b>3-30-04</b>	<b>NEMA TYPE 1/IP20 ENCLOSURE</b>		
		APPROVED: <b>T. SASADA</b>	DATE: <b>4-7-04</b>	<b>G7U4018, 4022</b>		
UNITS: <b>IN[mm]</b>	SCALE: <b>BY VIEW</b>	ORIGINAL DESIGN: -	DATE: -	SIZE: <b>A</b>	REVISION: -	PAGE: <b>2 of 3</b>
				DRAWING #: <b>DD.G7.FR6B.N1.01</b>		

MINIMUM INSTALLATION CLEARANCES (SCALE 1:10)



PANEL CUTOUT FOR EXTERNAL HEATSINK MOUNTING CONFIGURATION (SCALE 1:8)



FOR ADDITIONAL DETAILS AND SPECIFICATIONS, CONSULT MANUAL

TOLERANCES/REFERENCES: -		<p><b>YASKAWA</b> A World of Automation Solutions™</p> <p>YASKAWA ELECTRIC AMERICA, INC. Corporate Headquarters 2121 Norman Drive South Waukegan, IL 60085 1-800-YASKAWA http://www.yaskawa.com</p>	DRAWN: J. MATTAS DATE: 2-13-04	TITLE: G7 DIMENSION DRAWING FRAME SIZE 6B NEMA TYPE 1/IP20 ENCLOSURE G7U4018, 4022		
UNITS: IN[mm]	SCALE: BY VIEW		CHECKED: E. KU DATE: 4-4-04	TECH: J. CAIRO DATE: 3-30-04	SIZE A	REVISION -
		APPROVED: T. SASADA DATE: 4-7-04	ORIGINAL DESIGN: -	DRAWING #: DD.G7.FR6B.N1.01		