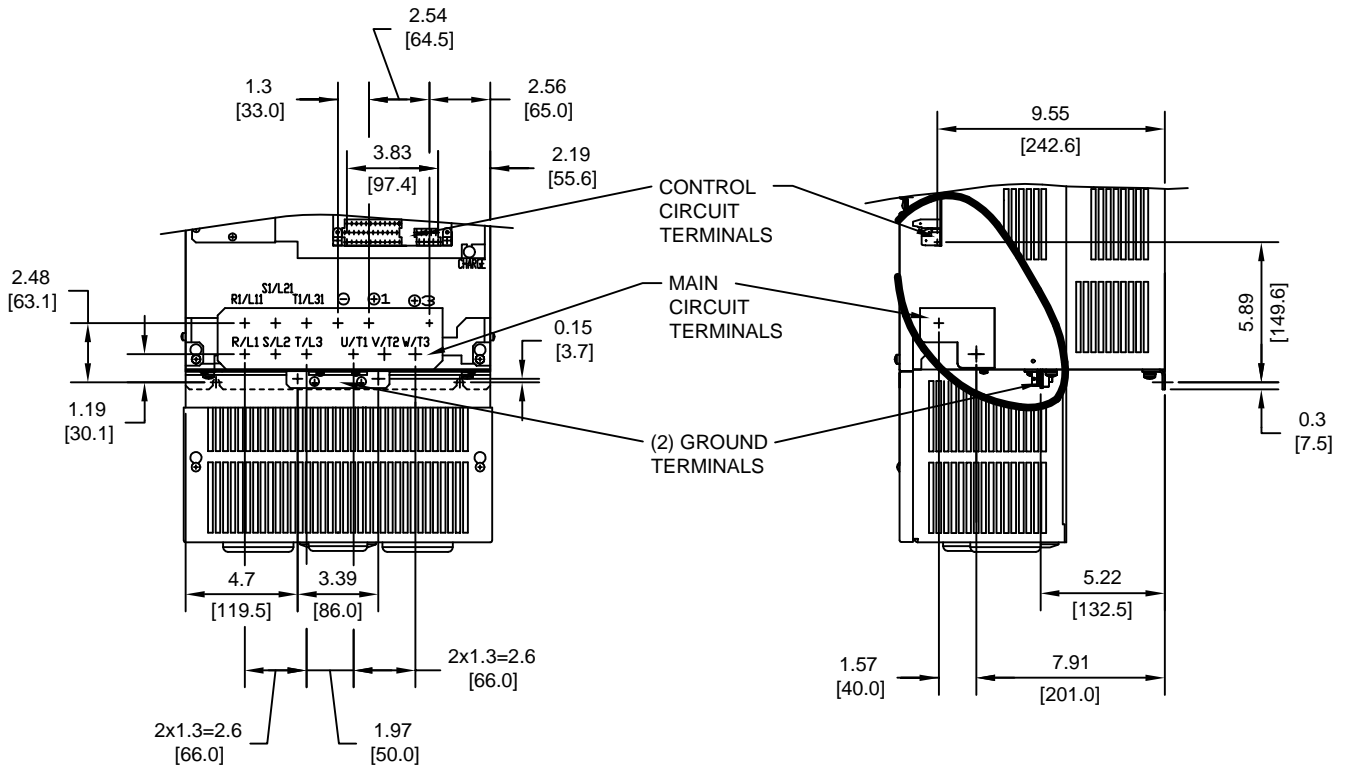


TERMINAL AND WIRING DETAILS (SCALE 1:8)




TERMINAL AND WIRE SPECIFICATIONS FOR
MAIN CIRCUIT AND GROUND

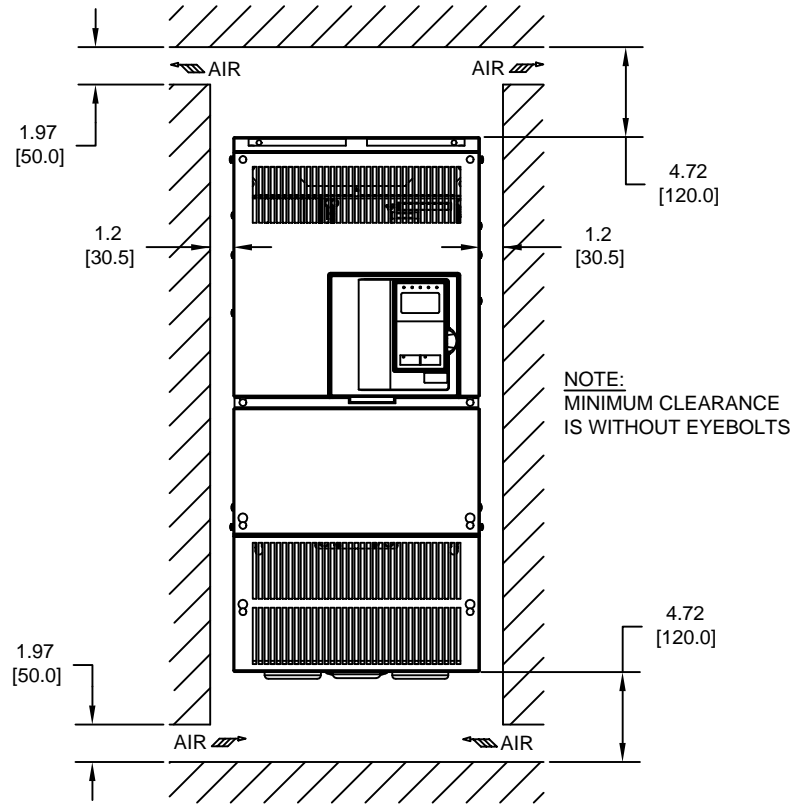
MODEL #	TERMINAL SYMBOL	TERMINAL SCREW	CLAMPING TORQUE lb.in.(N.m.)	WIRE RANGE AWG(mm ²)
4045	R/L1, S/L2, T/L3, ⊖, ⊕1, R1/L11, S1/L21, T1/L31, U/T1, V/T2, W/T3	M8	79.2 TO 88.0 (9.0 TO 10.0)	8-1/0 (8-60)
	⊕3	M6	35.2 TO 44.0 (4.0 TO 5.0)	8-4 (8-22)
	⊕	M8	79.2 TO 88.0 (9.0 TO 10.0)	SEE NOTE

NOTE: REFER TO APPLICABLE CODES FOR PROPER WIRE TYPE AND SIZE

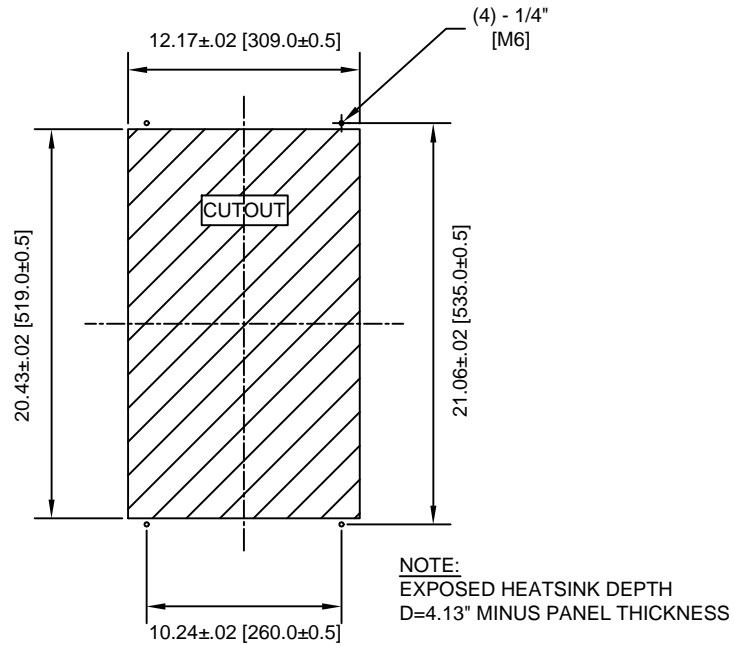
FOR ADDITIONAL DETAILS AND SPECIFICATIONS, CONSULT MANUAL

TOLERANCES/REFERENCES: - - - - - - - - - -	 YASKAWA <i>A World of Automation Solutions™</i> YASKAWA ELECTRIC AMERICA, INC. Corporate Headquarters 2121 Norman Drive South Waukegan, IL 60085 1-800-YASKAWA http://www.yaskawa.com	DRAWN: J. MATTAS	DATE: 2-18-04	TITLE: G7 DIMENSION DRAWING		
		CHECKED: E. KU	DATE: 4-4-04	FRAME SIZE 9B		
		TECH: J. CAIRO	DATE: 4-2-04	NEMA TYPE 1/IP20 ENCLOSURE		
		APPROVED: T. SASADA	DATE: 4-7-04	G7U4045		
UNITS: IN[mm]	SCALE: BY VIEW	ORIGINAL DESIGN: -	DATE: -	SIZE: A	REVISION: -	PAGE: 2 of 3
				DRAWING #: DD.G7.FR9B.N1.01		


MINIMUM INSTALLATION CLEARANCES (SCALE 1:10)



PANEL CUTOUT FOR EXTERNAL HEATSINK MOUNTING CONFIGURATION (SCALE 1:10)



FOR ADDITIONAL DETAILS AND SPECIFICATIONS, CONSULT MANUAL

TOLERANCES/REFERENCES: -		 YASKAWA <i>A World of Automation Solutions™</i> YASKAWA ELECTRIC AMERICA, INC. Corporate Headquarters 2121 Norman Drive South Waukegan, IL 60085 1-800-YASKAWA http://www.yaskawa.com	DRAWN: J. MATTAS	DATE 2-18-04	TITLE: G7 DIMENSION DRAWING		
UNITS: IN[mm]			SCALE: BY VIEW	CHECKED: E. KU	DATE 4-4-04	FRAME SIZE 9B	
			TECH: J. CAIRO	DATE 4-2-04	NEMA TYPE 1/IP20 ENCLOSURE		
			APPROVED: T. SASADA	DATE 4-7-04	SIZE A	REVISION -	PAGE 3 of 3
			ORIGINAL DESIGN: -	DATE -	DRAWING #: DD.G7.FR9B.N1.01		