

C/C: GA50□	INPUT VOLTAGE (VAC)	WEIGHT Kg (lb)
B001□□□	200 TO 240	0.6 (1.3)
B002□□□	1-PHASE	0.6 (1.3)
2001□□□	200 TO 240 3-PHASE	0.6 (1.3)
2002□□□		0.6 (1.3)
2004□□□		0.6 (1.3)
2006□□□		0.6 (1.3)

□ denotes A-Z

**YASKAWA**

UNITS MM [IN]  
SCALE 1:2

DRWN. J. MATTAS 7-20-21  
 CHKD. J. PIOTROWSKI 7-21-21  
 TECH. L. UDDIN 8-10-21  
 APRV. J. CAIRO 8-16-21

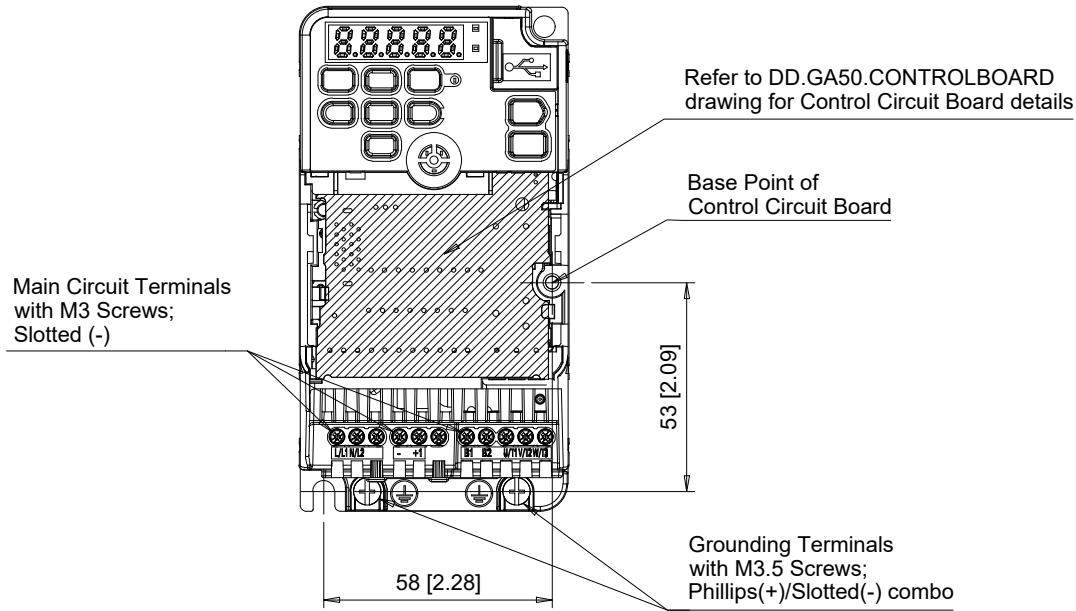
TITLE  
 GA500 DIMENSION DRAWING  
 FRAME SIZE 1.1  
 FINLESS HEATSINK

SIZE A PAGE 1 OF 4  
 DWG.NO. DD.GA50.FR1.1.FNL

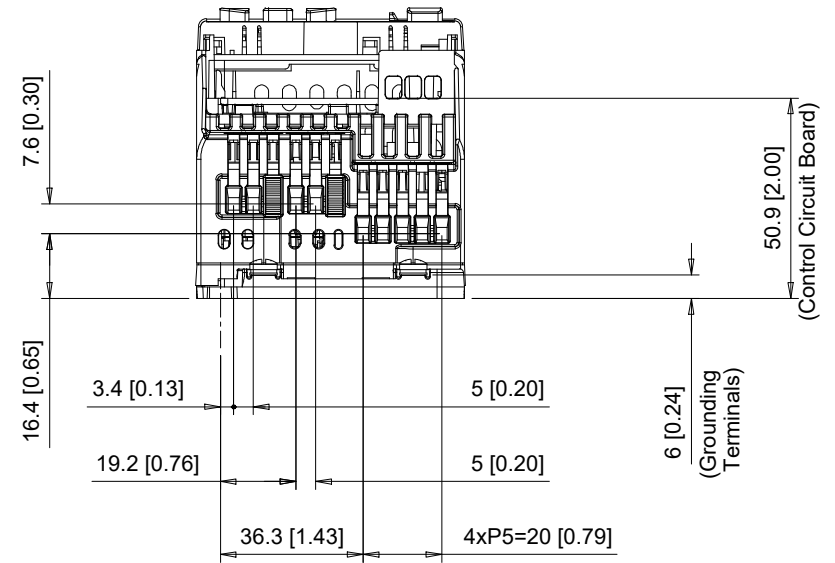
REV  
 0

# Terminal and Wiring Information for GA50□B001 and GA50□B002

**FRONT VIEW**



**BOTTOM VIEW**



C/C: GA50□	TERMINAL SYMBOL	WIRE RANGE AWG (mm <sup>2</sup> )	TERMINAL SCREW	CLAMPING TORQUE N.m. (lb.in.)
B001□□□	L/L1, N/L2	14 - 12 (2.5 - 4)	M3	0.6 - 0.8 (5 - 7)
	U/T1, V/T2, W/T3	14 - 12 (2.5 - 4)	M3	0.6 - 0.8 (5 - 7)
B002□□□	-, +1	14 - 12 (2.5 - 4)	M3	0.6 - 0.8 (5 - 7)
	B1, B2	14 - 12 (2.5 - 4)	M3	0.6 - 0.8 (5 - 7)
	⊕	14 (2.5)	M3.5	0.8 - 1.0 (7 - 9)

□ Denotes A-Z

Note: Refer to applicable codes and standards for proper wire type and size.

**YASKAWA**

UNITS MM [IN]  
SCALE 1:2

DRWN.	J. MATTAS	7-20-21
CHKD.	J. PIOTROWSKI	7-21-21
TECH.	L. UDDIN	8-10-21
APRV.	J. CAIRO	8-16-21

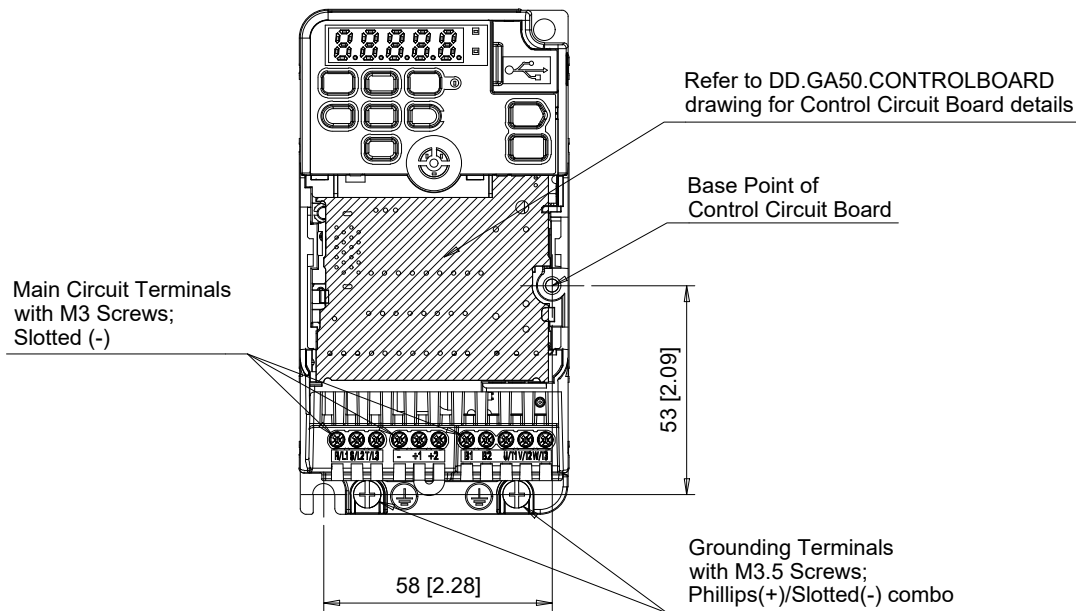
TITLE  
GA500 DIMENSION DRAWING  
FRAME SIZE 1.1  
FINLESS HEATSINK

SIZE A  
PAGE 2 OF 4  
DWG.NO.  
DD.GA50.FR1.1.FNL

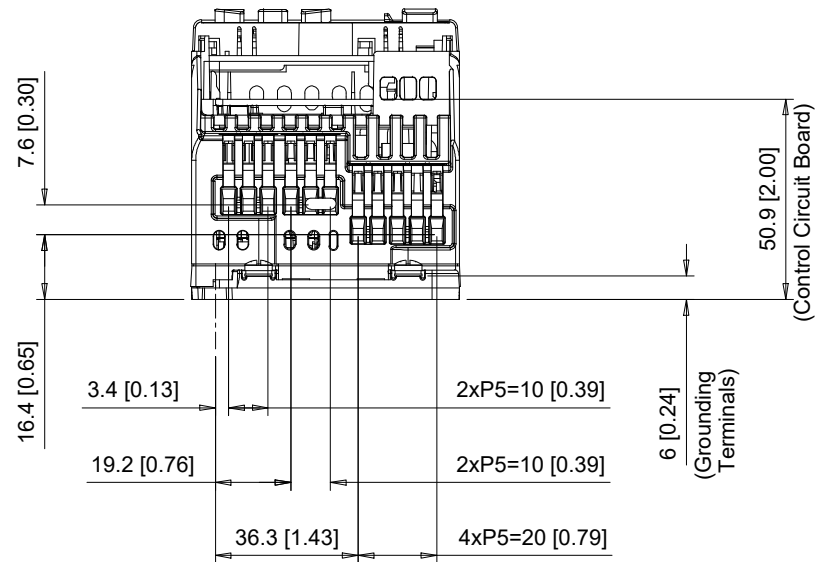
REV  
0

# Terminal and Wiring Information for GA50□2001, GA50□2002, GA50□2004 and GA50□2006

**FRONT VIEW**



**BOTTOM VIEW**



C/C: GA50□	TERMINAL SYMBOL	WIRE RANGE AWG (mm <sup>2</sup> )	TERMINAL SCREW	CLAMPING TORQUE N.m. (lb.in.)
2001□□□	R/L1, S/L2, T/L3	14 - 12 (2.5 - 4)	M3	0.6 - 0.8 (5 - 7)
2002□□□	U/T1, V/T2, W/T3	14 - 12 (2.5 - 4)	M3	0.6 - 0.8 (5 - 7)
2004□□□	-, +1, +2	14 - 12 (2.5 - 4)	M3	0.6 - 0.8 (5 - 7)
2006□□□	B1, B2	14 - 12 (2.5 - 4)	M3	0.6 - 0.8 (5 - 7)
	⊕	14 (2.5)	M3.5	0.8 - 1.0 (7 - 9)

□ Denotes A-Z

Note: Refer to applicable codes and standards for proper wire type and size.

**YASKAWA**

UNITS MM [IN]  
SCALE 1:3

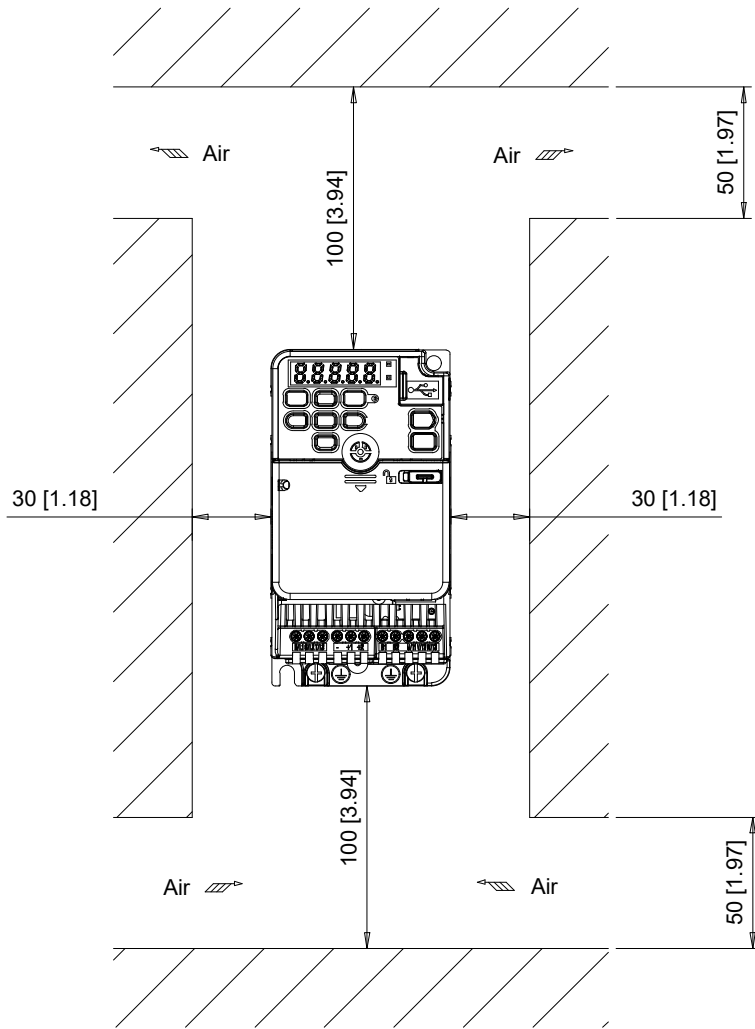
DRWN.	J. MATTAS	7-20-21
CHKD.	J. PIOTROWSKI	7-21-21
TECH.	L. UDDIN	8-10-21
APRV.	J. CAIRO	8-16-21

TITLE  
GA500 DIMENSION DRAWING  
FRAME SIZE 1.1  
FINLESS HEATSINK

SIZE A PAGE 3 OF 4  
DWG.NO. DD.GA50.FR1.1.FNL

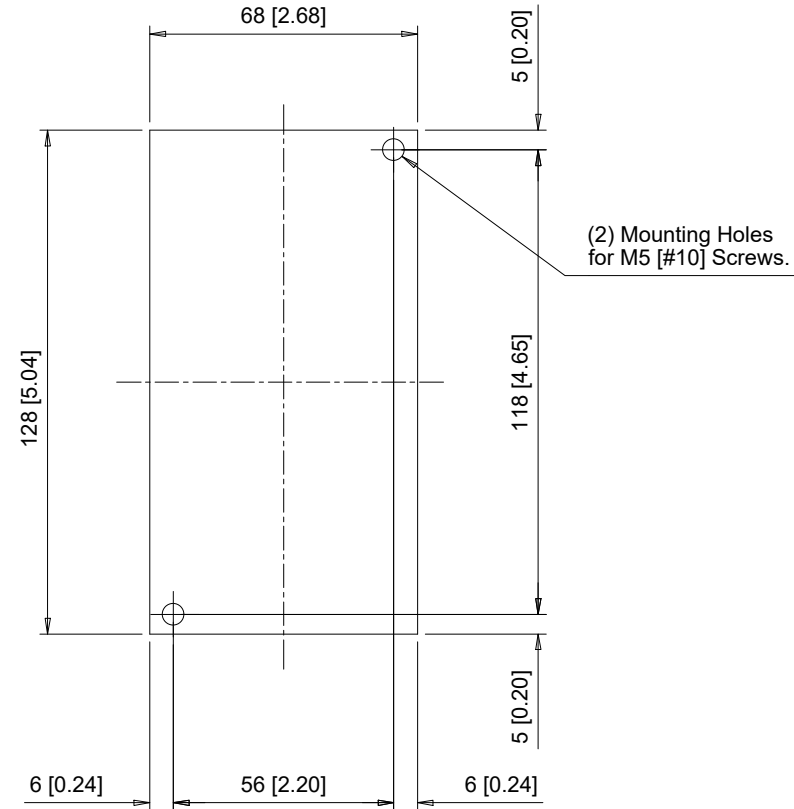
REV  
0

**Minimum Installation Clearances**  
Scale 1:3



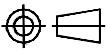
Note:  
For alternate mounting configurations, consult manual.

**Mounting Dimensions**  
Scale 1:2



- Notes:
1. Mounting Plate Properties
    - Flatness shall not exceed 0.2mm
    - Roughness shall not exceed 25S
    - Temp. shall not exceed 90C (194F)
  2. Apply thermal compound between heatsink and mounting plate.
  3. Mounting Screw Torque
    - 2.0-2.5 Nm (17.7 - 22.1 lbf-in)
  4. See manual for complete details

**YASKAWA**

  
 UNITS MM [IN]  
 SCALE ABOVE

DRWN.	J. MATTAS	7-20-21
CHKD.	J. PIOTROWSKI	7-21-21
TECH.	L. UDDIN	8-10-21
APRV.	J. CAIRO	8-16-21

TITLE  
GA500 DIMENSION DRAWING  
FRAME SIZE 1.1  
FINLESS HEATSINK

SIZE A PAGE 4 OF 4  
DWG.NO. DD.GA50.FR1.1.FNL

REV  
0