

C/C: GA80□	INPUT VOLTAGE 3-PHASE (VAC)	WEIGHT Kg (lb)	COOLING FANS
2004□□□	200 TO 240	3.5 (7.7)	0
2006□□□		3.5 (7.7)	0
2008□□□		3.5 (7.7)	0
2010□□□		3.5 (7.7)	0
2012□□□		3.5 (7.7)	0
4002□□□	380 TO 480	3.5 (7.7)	0
4004□□□		3.5 (7.7)	0
4005□□□		3.5 (7.7)	0

□ denotes A-Z

1	REVISED MOUNTING BKTS P2
0	INITIAL RELEASE



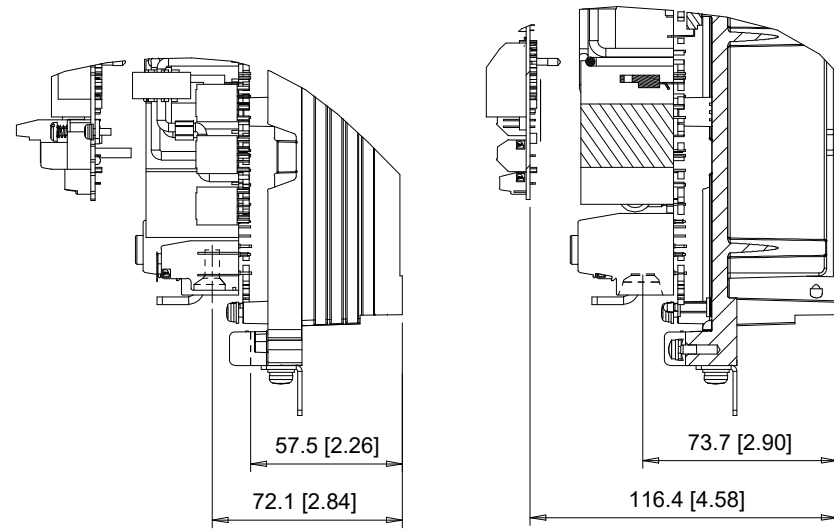
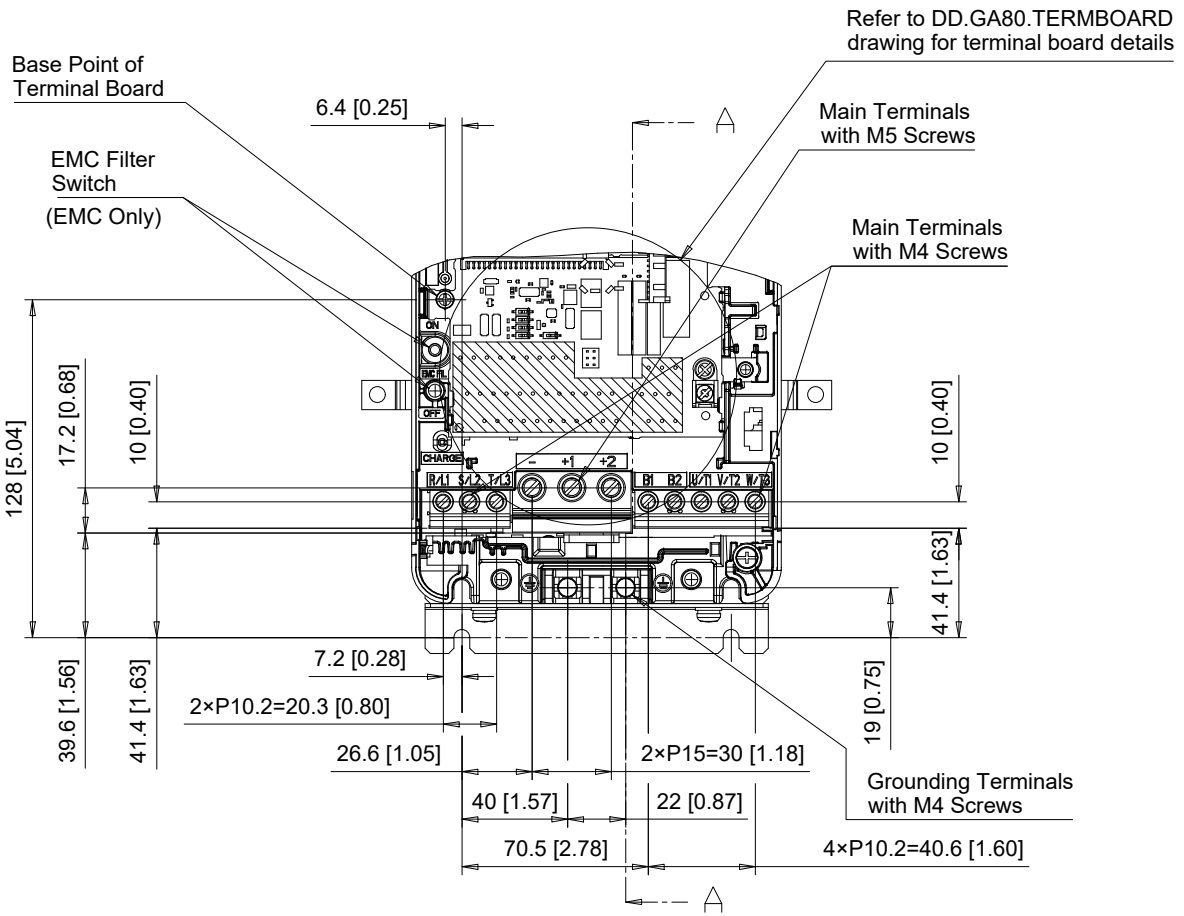
	UNITS MM [IN]
	SCALE 1:5

DRWN.	J. MATTAS	4-3-19
CHKD.	J. PIOTROWSKI	5-6-19
TECH.	L. UDDIN	5-20-19
APRV.	J. CAIRO	6-13-19

TITLE	GA800 DIMENSION DRAWING FRAME SIZE 1 BACKSIDE TYPE 12 ENCLOSURE
-------	---

SIZE	A	PAGE	1 OF 3
DWG.NO.	DD.GA80.FR1.FLNG		

REV	1
-----	---



C/C:	TERMINAL SYMBOL	WIRE RANGE AWG (mm <sup>2</sup> )	TERMINAL SCREW	CLAMPING TORQUE N.m. (lb.in.)
GA80□	R/L1, S/L2, T/L3	14 - 6 (2.5 - 16)	M4	1.5 - 1.7 (13.5 - 15)
2004□□□	U/T1, S/L2, T/L3	14 - 6 (2.5 - 16)	M4	1.5 - 1.7 (13.5 - 15)
2006□□□	U/T1, V/T2, W/T3	14 - 6 (2.5 - 16)	M4	1.5 - 1.7 (13.5 - 15)
2008□□□	-, +1, +2	14 - 10 (2.5 - 4)	M5	2.3 - 2.5 (19.8 - 22)
2010□□□	B1, B2	14 - 6 (2.5 - 16)	M4	1.5 - 1.7 (13.5 - 15)
2012□□□	⊕	14 - 8 (2.5 - 10)	M4	1.2 - 1.5 (10.6 - 13.3)
4002□□□				
4004□□□				
4005□□□				

□ Denotes A-Z  
 Note: Refer to applicable codes and standards for proper wire type and size.

1	REVISED MOUNTING BKTS P2
0	INITIAL RELEASE



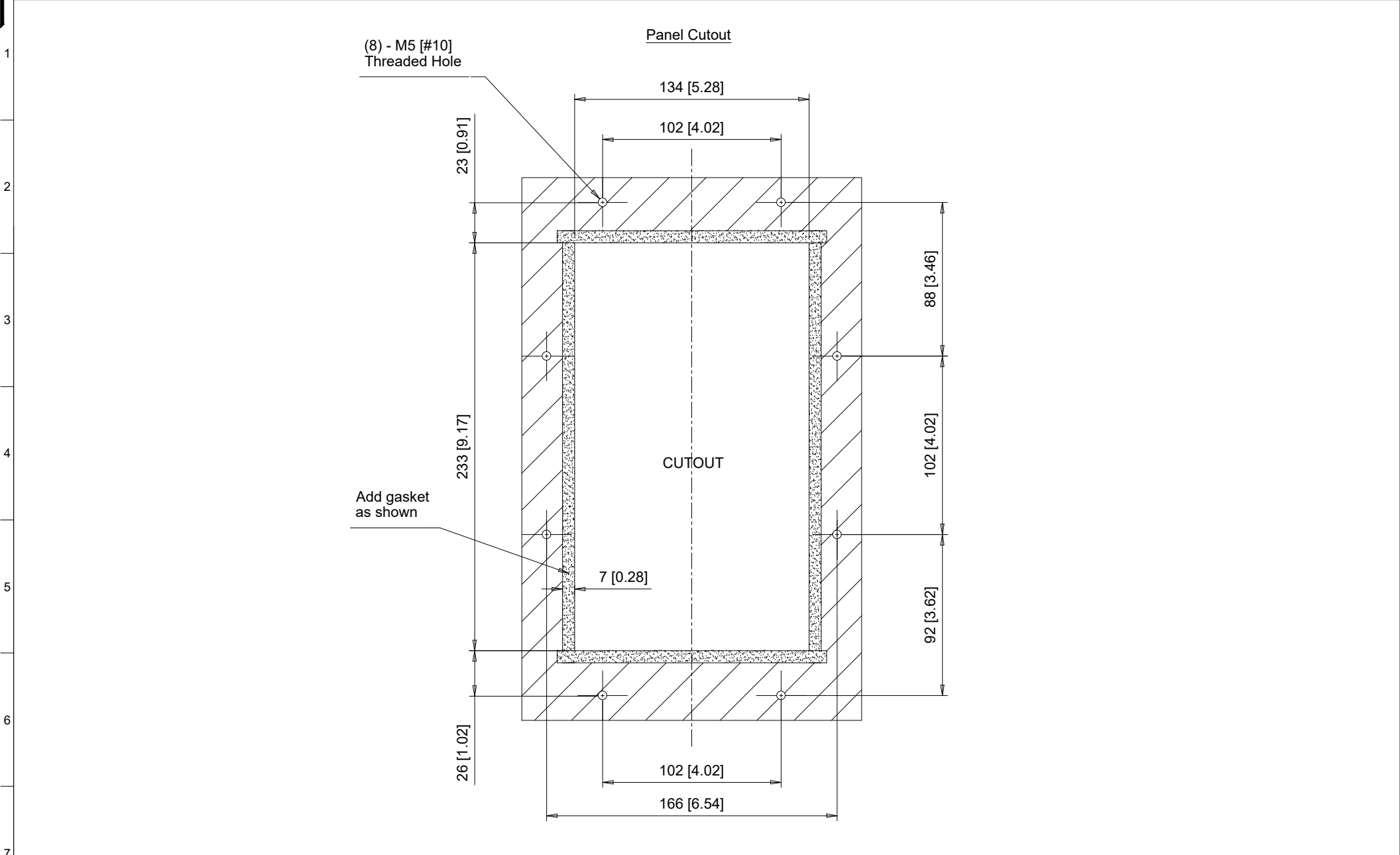
UNITS MM [IN]  
 SCALE 1:3

DRWN.	J. MATTAS	4-3-19
CHKD.	J. PIOTROWSKI	5-6-19
TECH.	L. UDDIN	5-20-19
APRV.	J. CAIRO	6-13-19

TITLE  
 GA800 DIMENSION DRAWING  
 FRAME SIZE 1  
 BACKSIDE TYPE 12 ENCLOSURE

SIZE	A	PAGE	2 OF 3
DWG.NO.	DD.GA80.FR1.FLNG		

REV  
 1



Notes:  
 Exposed heatsink minimum clearance D = 43 [1.69].  
 Refer to Type 12 heatsink external installation manual for additional details.

		<b>YASKAWA</b>		DRWN. J. MATTAS	4-3-19	TITLE GA800 DIMENSION DRAWING FRAME SIZE 1 BACKSIDE TYPE 12 ENCLOSURE	SIZE A	PAGE 3 OF 3	REV
1	REVISED MOUNTING BKTS P2			UNITS MM [IN]	CHKD. J. PIOTROWSKI		5-6-19	DWG.NO.	
0	INITIAL RELEASE	SCALE 1:3	TECH. L. UDDIN	5-20-19		DD.GA80.FR1.FLNG			
			APRV. J. CAIRO	6-13-19					