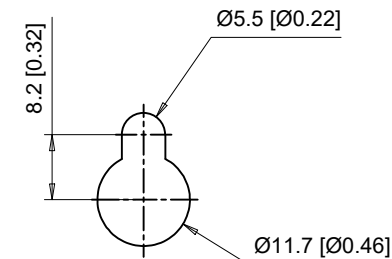
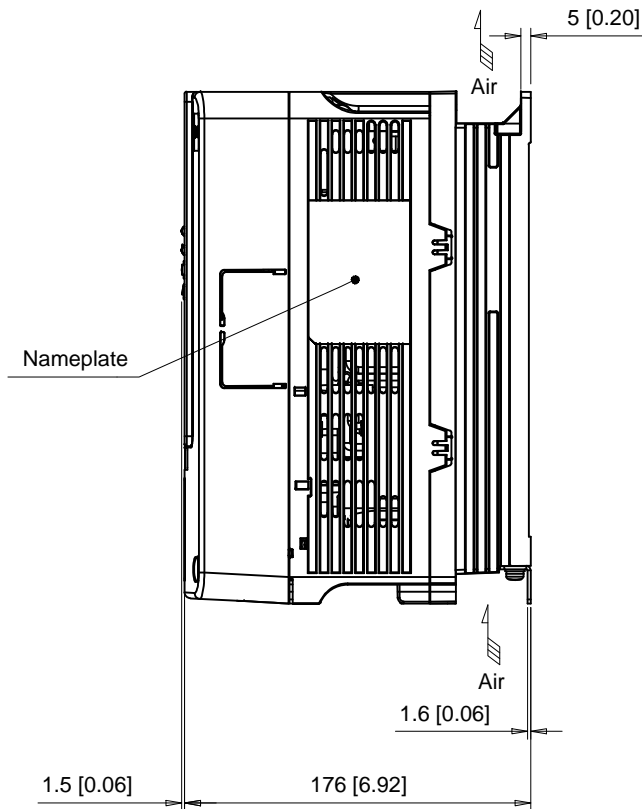
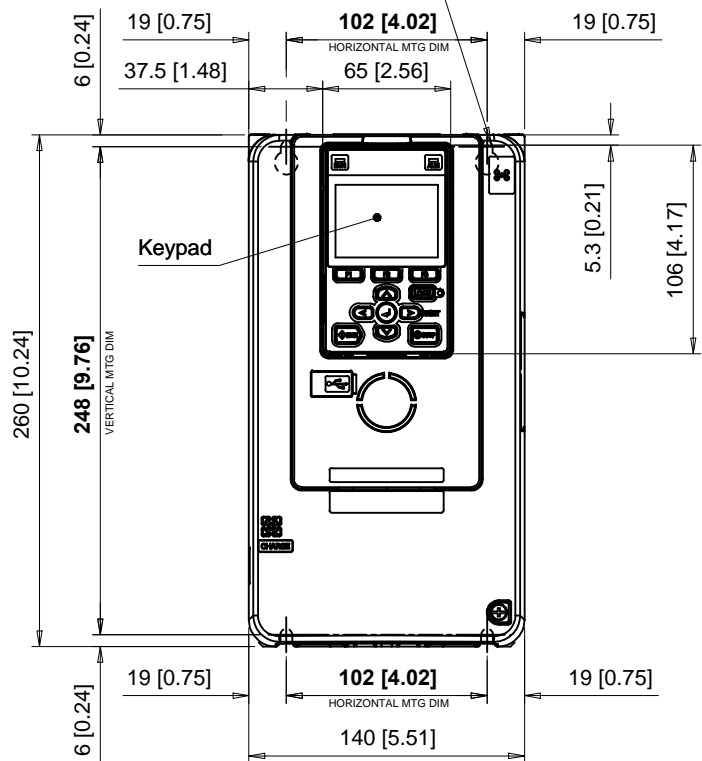
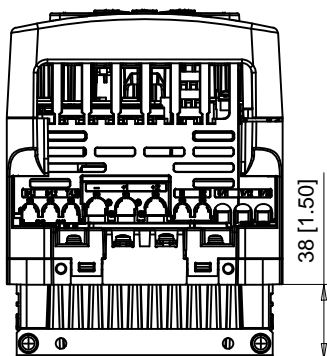


(4) Mounting Holes for M5 [#10] Screws. See Detail A for top mounting hole dimensions.



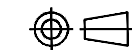
Detail A
Top mounting hole dimensions
Scale 1:1



C/C: GA80□	INPUT VOLTAGE 3-PHASE (VAC)	WEIGHT Kg (lb)	COOLING FANS
2004□□□	200 TO 240	3.5 (7.7)	0
2006□□□		3.5 (7.7)	0
2008□□□		3.5 (7.7)	0
2010□□□		3.5 (7.7)	0
2012□□□		3.5 (7.7)	0
4002□□□	380 TO 480	3.5 (7.7)	0
4004□□□		3.5 (7.7)	0
4005□□□		3.5 (7.7)	0

□ denotes A-Z

YASKAWA



UNITS MM [IN]

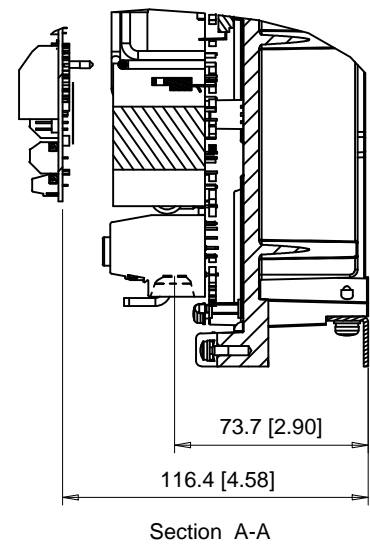
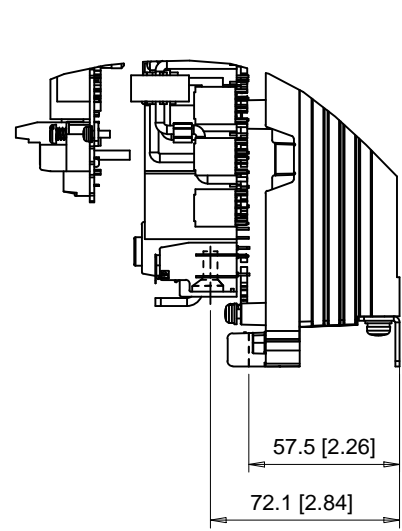
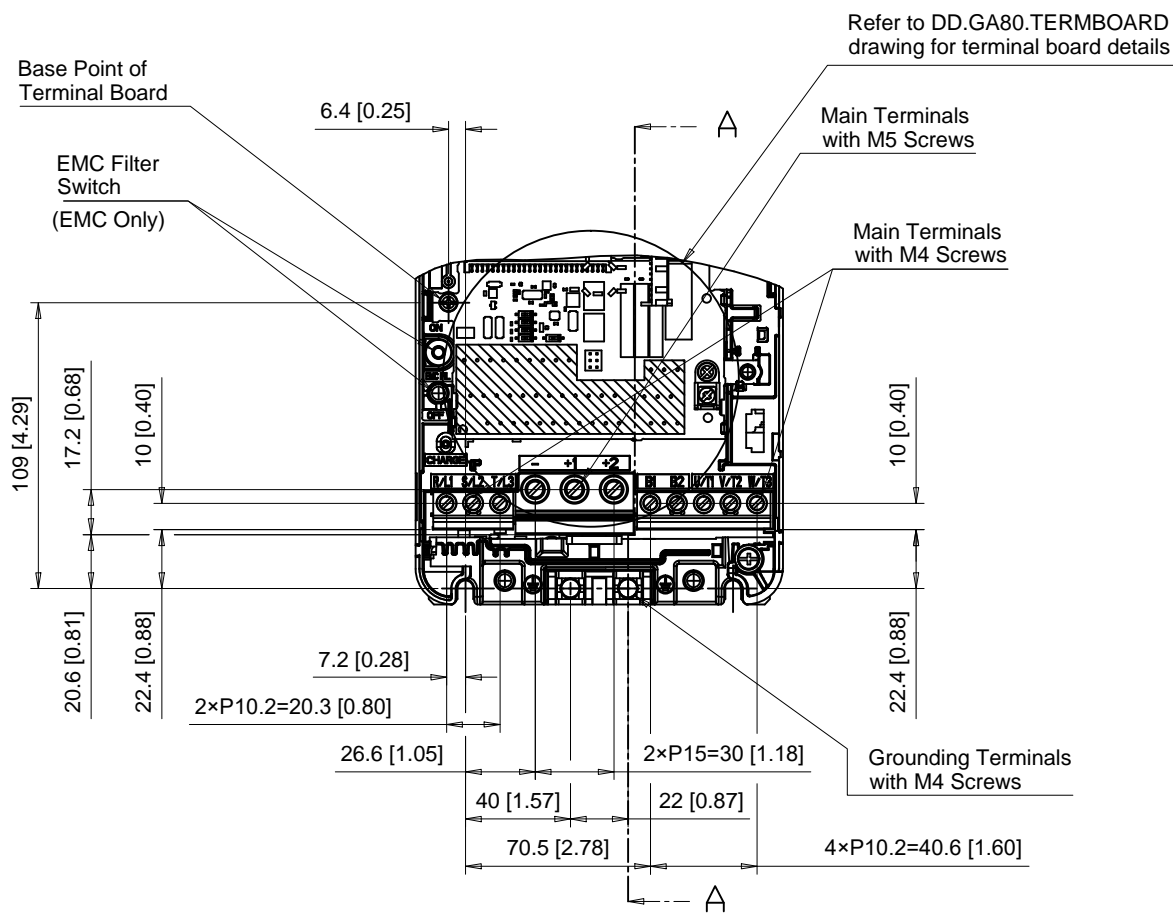
SCALE 1:4

DRWN.	J. MATTAS	6-27-18
CHKD.	J. PIOTROWSKI	7-9-18
TECH.	L. UDDIN	7-16-18
APRV.	J. CAIRO	8-21-18

TITLE
GA800 DIMENSION DRAWING
FRAME SIZE 1
IP20 ENCLOSURE

SIZE A PAGE 1 OF 3
DWG.NO.
DD.GA80.FR1.IP20

REV
0



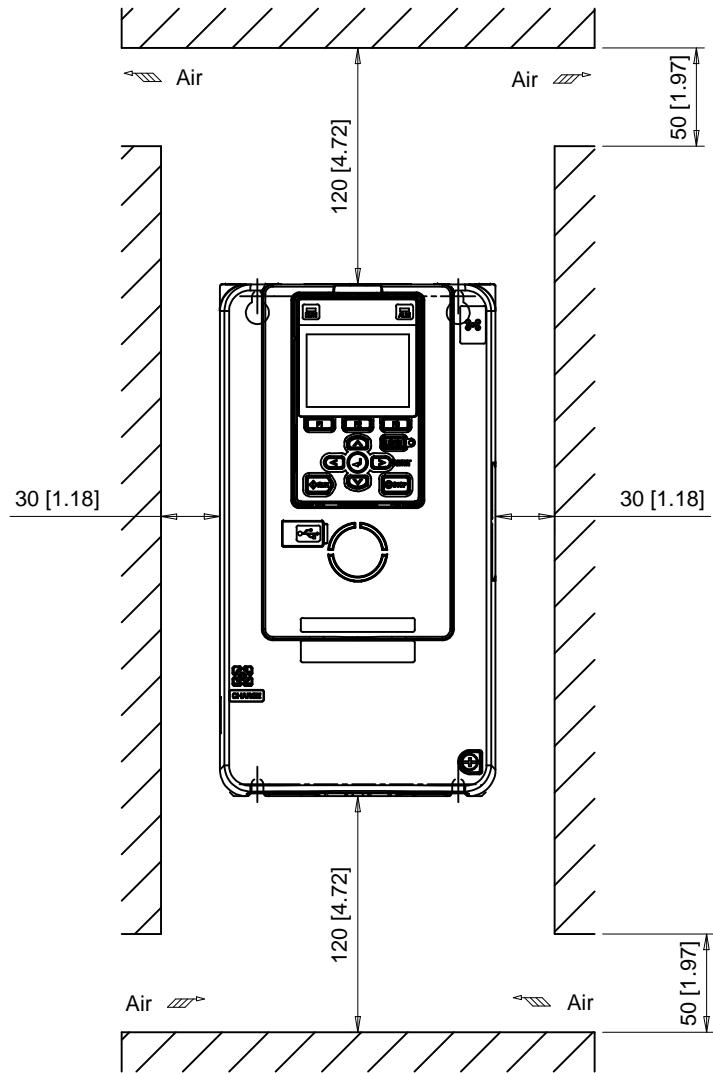
C/C: GA80□	TERMINAL SYMBOL	WIRE RANGE AWG (mm ²)	TERMINAL SCREW	CLAMPING TORQUE N.m. (lb.in.)
2004□□□	R/L1, S/L2, T/L3	14 - 6 (2.5 - 16)	M4	1.5 - 1.7 (13.5 - 15)
2006□□□	U/T1, V/T2, W/T3	14 - 6 (2.5 - 16)	M4	1.5 - 1.7 (13.5 - 15)
2008□□□	-, +1, +2	14 - 10 (2.5 - 4)	M5	2.3 - 2.5 (19.8 - 22)
2010□□□	B1, B2	14 - 6 (2.5 - 16)	M4	1.5 - 1.7 (13.5 - 15)
2012□□□	⊕	14 - 8 (2.5 - 10)	M4	1.2 - 1.5 (10.6 - 13.3)
4002□□□				
4004□□□				
4005□□□				

□ Denotes A-Z

Note: Refer to applicable codes and standards for proper wire type and size.

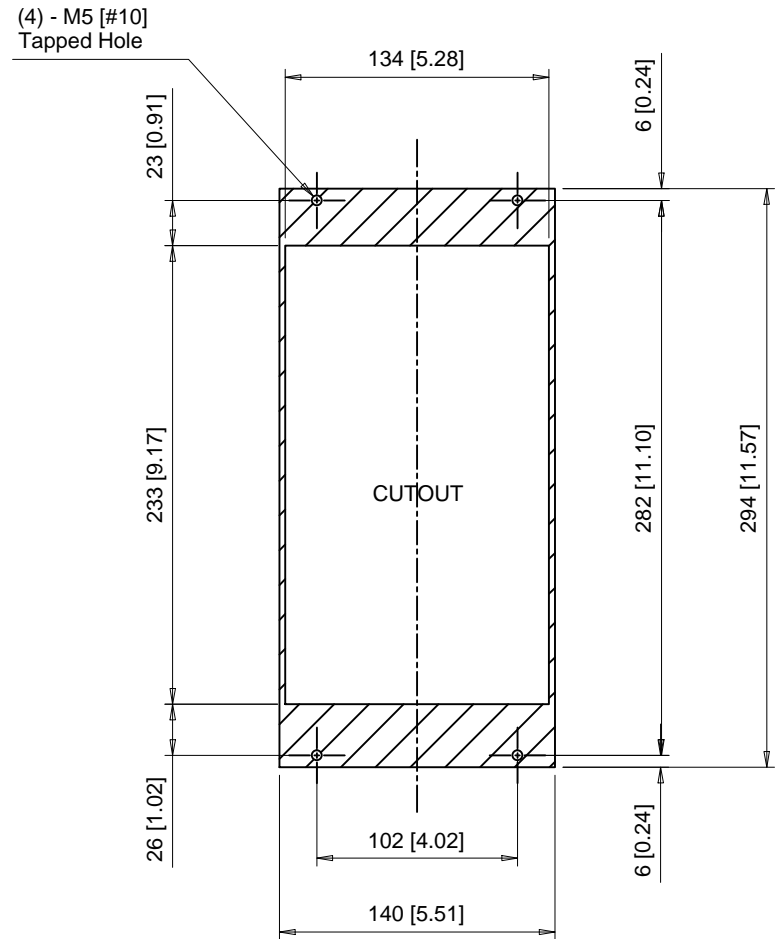
YASKAWA		DRWN. J. MATTAS	6-27-18	TITLE GA800 DIMENSION DRAWING FRAME SIZE 1 IP20 ENCLOSURE	SIZE A	PAGE 2 OF 3	REV 0
	UNITS MM [IN]	CHKD. J. PIOTROWSKI	7-9-18		DWG.NO. DD.GA80.FR1.IP20		
	SCALE 1:3	TECH. L. UDDIN	7-16-18				
	APRV. J. CAIRO	8-21-18					

Minimum Installation Clearances



Note:
For alternate mounting configurations, consult manual.

Panel Cutout
For External Heatsink Mounting Configuration



Notes:
Exposed heatsink minimum clearance D = 43 [1.69].
Refer to external heatsink instructions document for additional details.

YASKAWA

UNITS MM [IN]
SCALE 1:4

DRWN.	J. MATTAS	6-27-18
CHKD.	J. PIOTROWSKI	7-9-18
TECH.	L. UDDIN	7-16-18
APRV.	J. CAIRO	8-21-18

TITLE
GA800 DIMENSION DRAWING
FRAME SIZE 1
IP20 ENCLOSURE

SIZE A
PAGE 3 OF 3
DWG.NO.
DD.GA80.FR1.IP20

REV
0